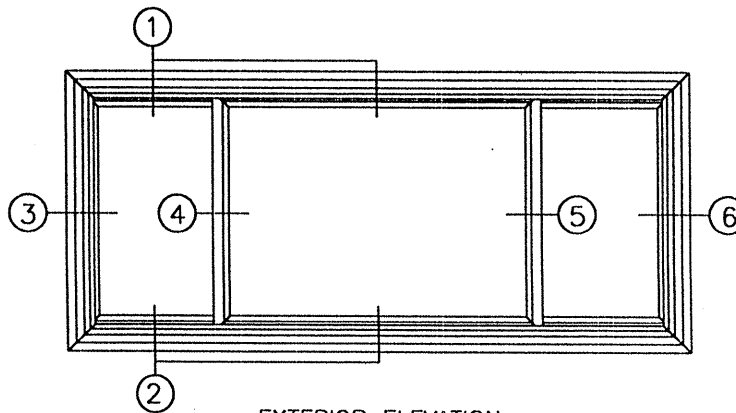
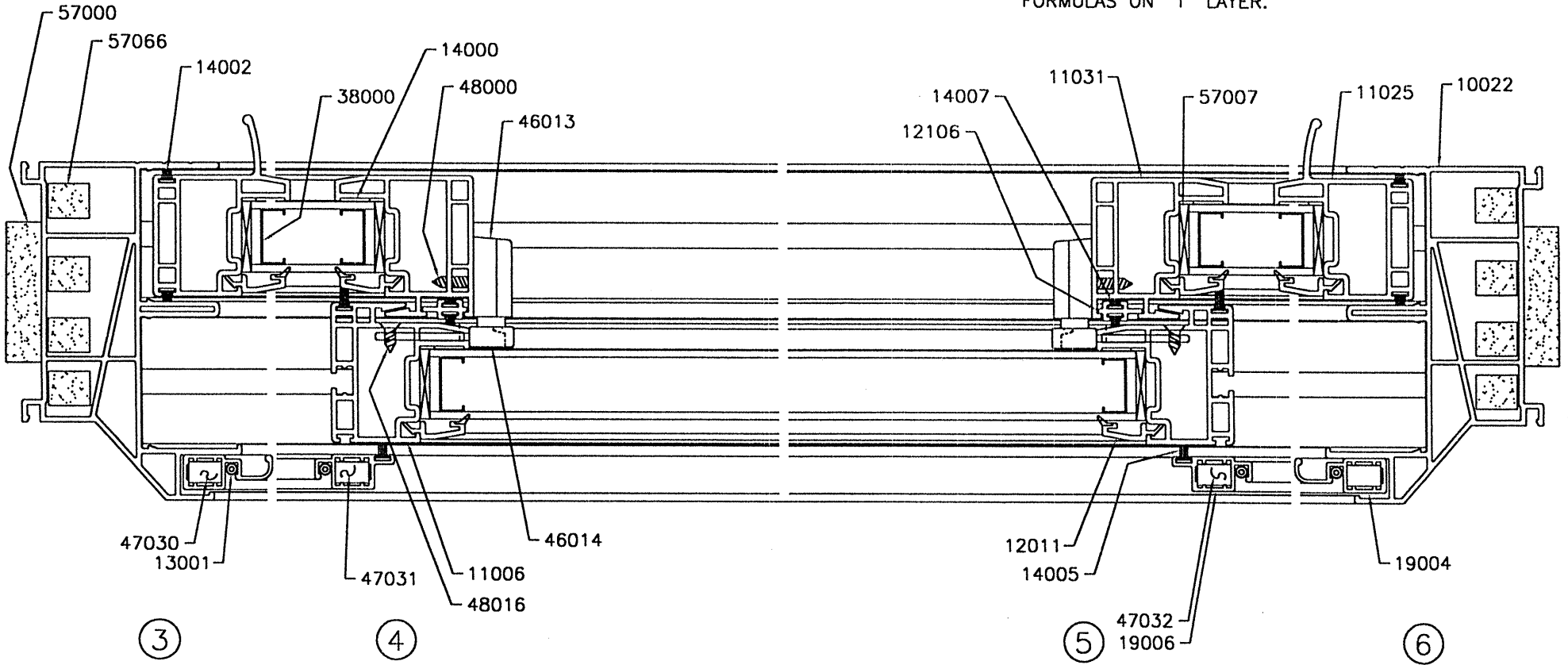


LAYER NOTES:
 HARDWARE DETAILS & PARTS IDENTIFICATION ON "HDWE"
 LAYER.
 FORMULAS ON "1" LAYER.



EXTERIOR ELEVATION

FOR HEIGHT DETAILS, SEE DRAWING P5352.

GORELL ENTERPRISES, INC.	
<small>1380 Wayne Avenue Indiana, PA 15701</small>	
SCALE FULL	REVISIONS
DATE 1/30/01	
DWN VSN	
TITLE MODEL 5353	DWG. NO.
3 LITE LIFT OUT SLDR ASS'Y	P5353

Gorell
 CUSTOM WINDOWS & DOORS
 GORELL ENTERPRISES, INC.
 1380 WAYNE AVENUE INDIANA PA 15701