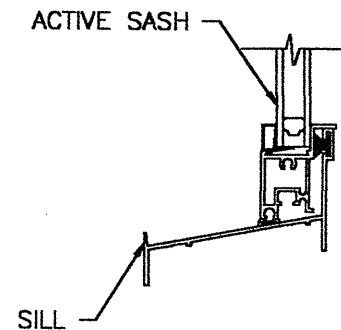
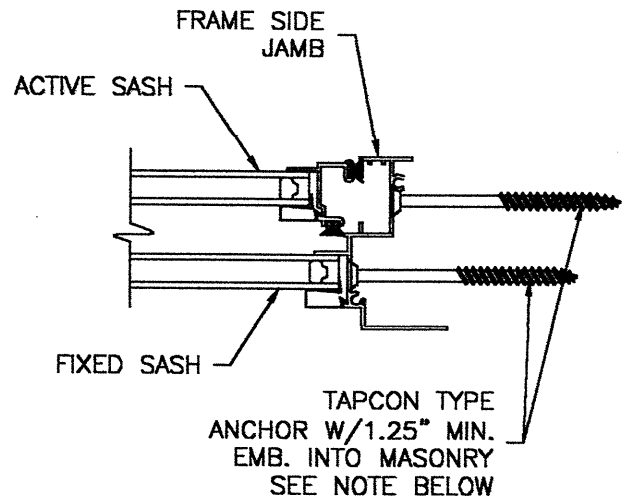
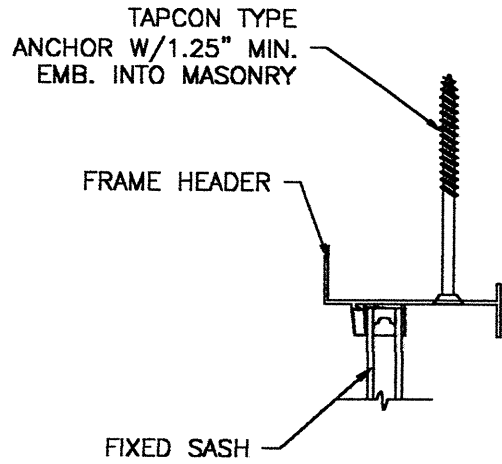
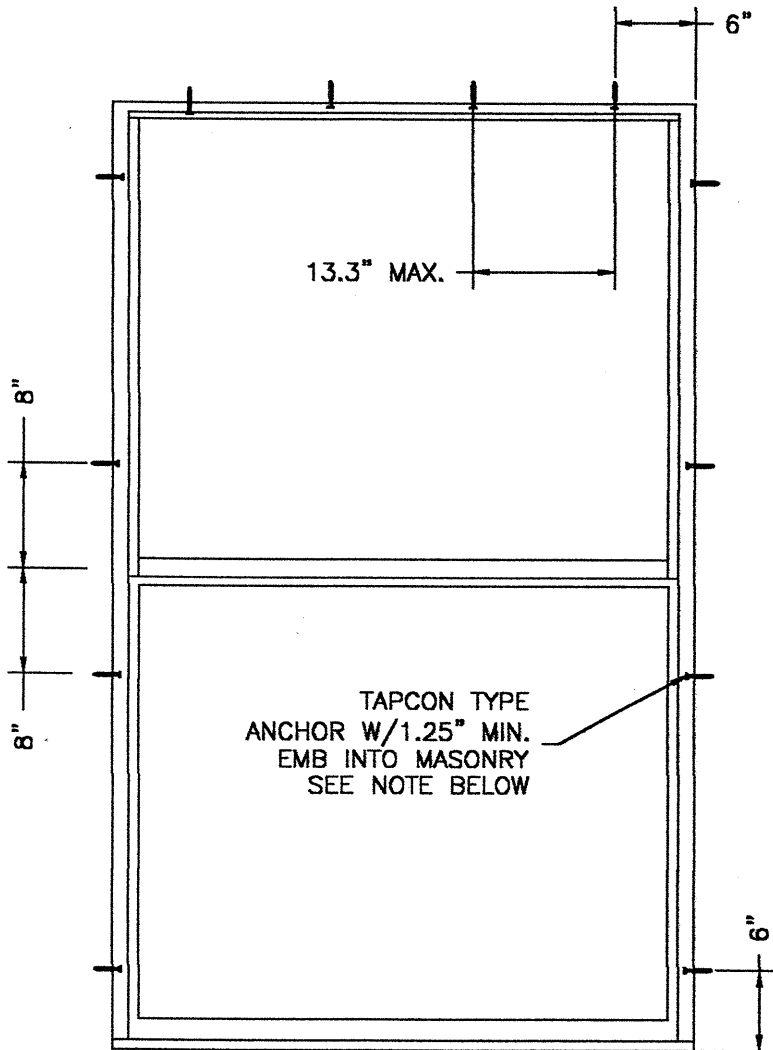


# Mayfair Windows & Doors Series 575/535

## Maximum Size Up To 52.0" x 72.0" Tilt Sash

### Single Hung Extruded Aluminum Flanged Windows



**NOTE:**  
 THE SCREWS 6" DOWN FROM THE TOP AND 8" UP FROM THE MEETING RAIL ARE IN THE INTERIOR SASH TRACK.  
 THE SCREWS 6" UP FROM THE BOTTOM AND 8" DOWN FROM THE MEETING RAIL ARE IN THE EXTERIOR SASH TRACK.



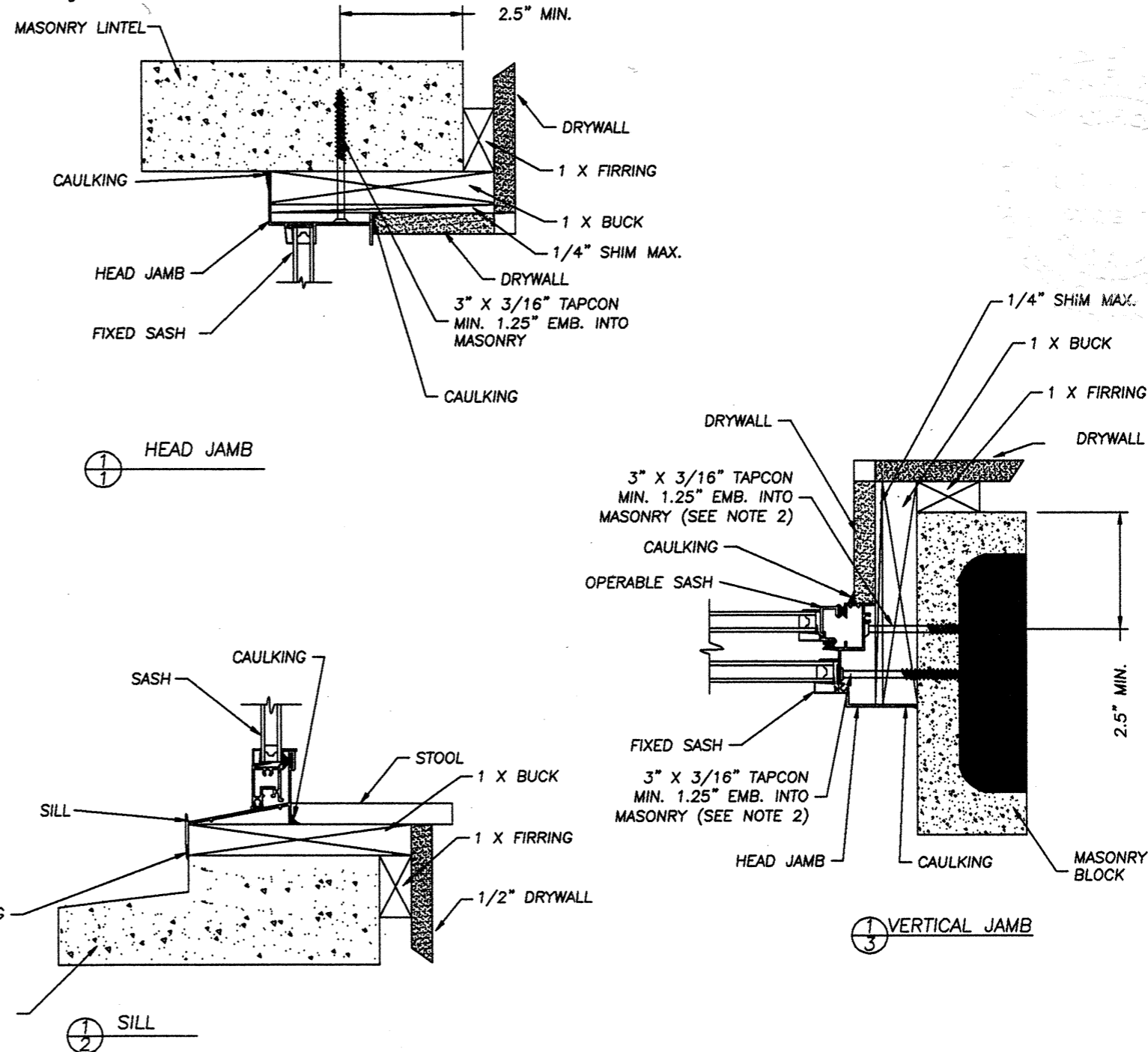
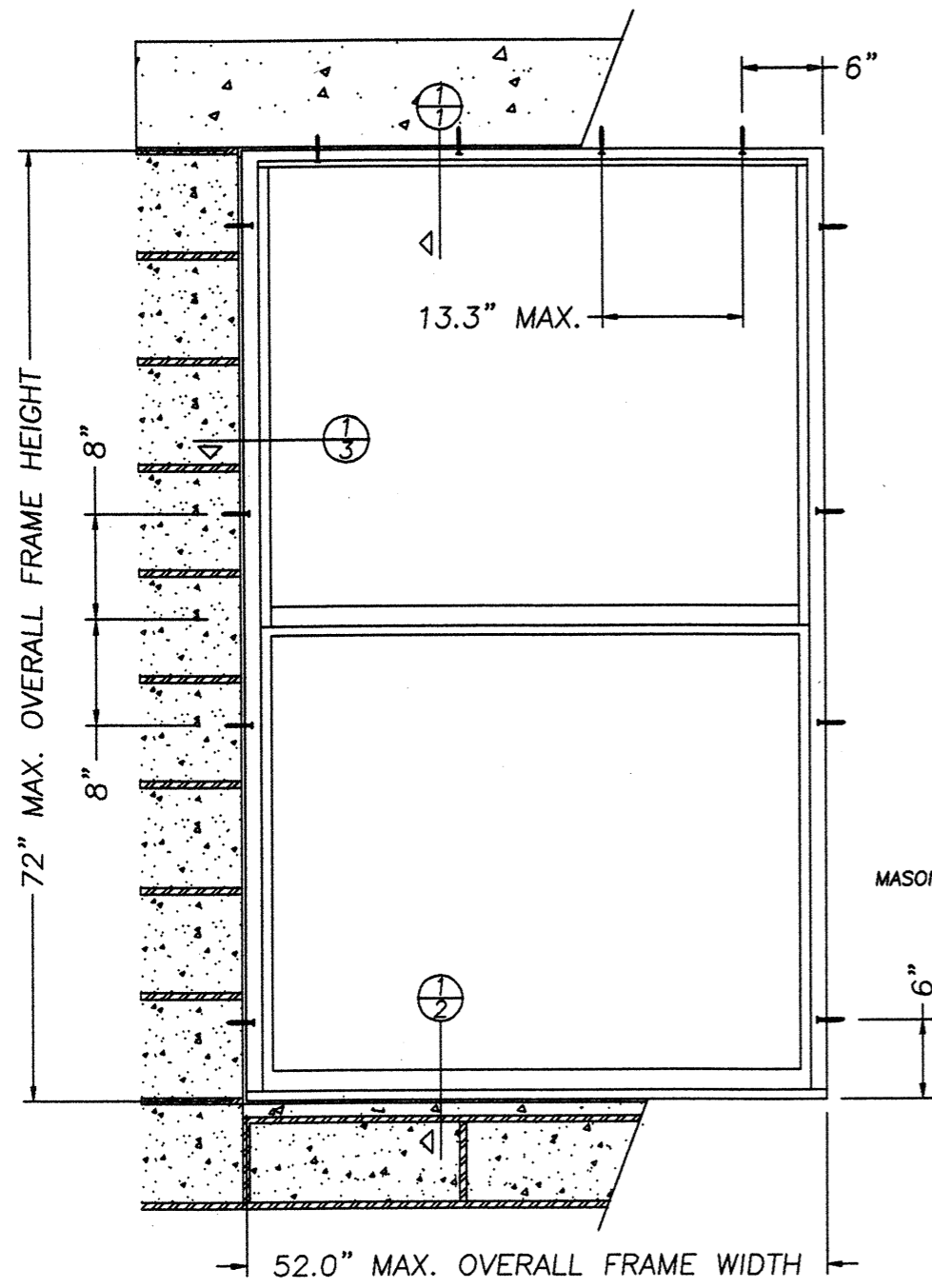
**MODEL DESIGNATION:** Mayfair 575/535 Series Single Tilt Sash Hung Aluminum Flanged Window

**MAXIMUM OVERALL NOMINAL SIZE:** Single up to 52" x 72"

**DESIGN PRESSURE RATING:** Anchors: Positive 40.0 PSF Negative 40.0 PSF  
 Windows: Design Pressure Ratings Vary; See Corresponding Test Report, Dade NOA or Florida, P.E. Evaluation.

**USABLE CONFIGURATIONS:** O  
X

**GENERAL DESCRIPTION:** The head and side jambs are extruded Aluminum. The nailing flange is 0.047" thick.



**NOTE:**

1. This installation has been evaluated for use in locations adhering to the Florida Building Code and where pressure requirements as determined by ASCE 7 Minimum Design Loads for Buildings and Other Structures do not exceed the design pressure ratings listed herein.
2. The screws located 6" down from the top and 8" up from the meeting rail are in the interior sash track. The screws located 6" up from the bottom and 8" down from the meeting rail are in the exterior sash track.
3. Wall dressing at exterior flanges By Others.

4.20.04

Lyndon F. Schmidt  
 Florida P. E. No. 43409  
 19506 French Lace Drive  
 Lutz, FL 33558

**Mayfair Windows & Doors**  
 4100 Cameron Street  
 Lafayette, LA 70506  
 PH. 800.999.2470

ANCHORING CROSS SECTIONS  
 FOR 1X BUCK TO MASONRY  
 SINGLE OR DOUBLE HUNG  
 ALUMINUM WINDOW

**RW** BUILDING  
 CONSULTANTS, INC.  
 813.684.3831

DATE: 4/16/02  
 SCALE: N.T.S.  
 DWG. BY: TJH  
 CHK. BY: R.W.  
 DRAWING NO.: M-104  
 SHEET 1 OF 1