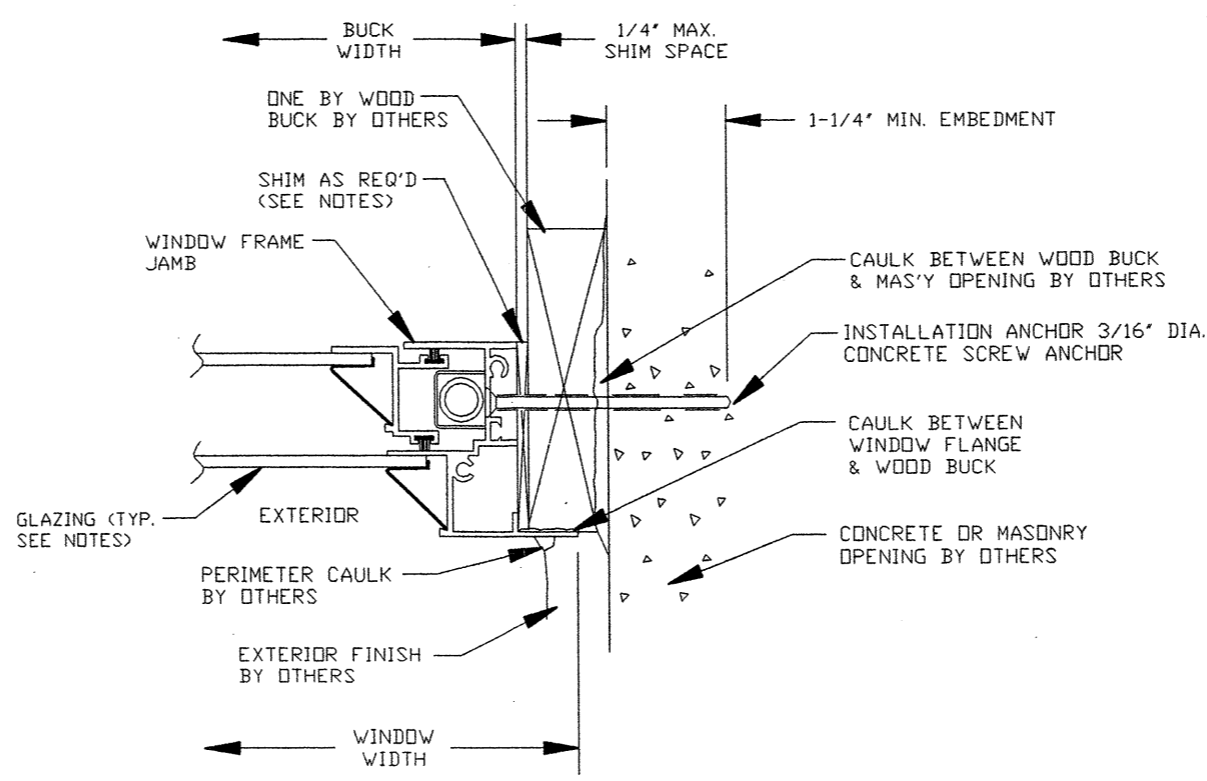
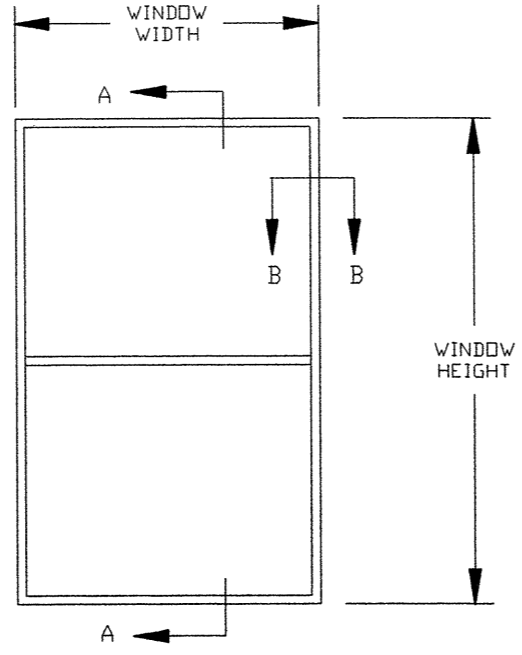


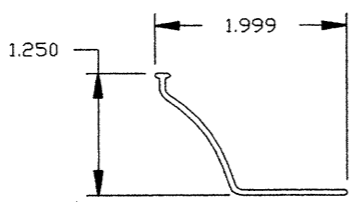
SECTION A-A



SECTION B-B



EXTERIOR ELEVATION



\* MOUNTING CLIP TO BE 1-1/2" WIDE WITH WALL THICKNESS OF .058

MOUNTING CLIP

DESIGN PRESSURE CAPACITY = ±45.0 PSF

- NOTES:
- 1) SHIM AS REQ'D. AT EACH INSTALLATION ANCHOR WITH LOAD BEARING SHIM. MAX ALLOWABLE SHIM STACK TO BE 1/4". USE SHIMS WHERE SPACE IS GREATER THAN 1/16".
  - 2) WINDOW FRAME MATERIAL: ALUMINUM ALLOY 6063.
  - 3) CONCRETE INSTALLATION ANCHOR MUST BE OF SUFFICIENT LENGTH TO ACHIEVE 1-1/4" MIN. EMBEDMENT INTO MASONRY OR CONCRETE.
  - 4) LOCATE CONCRETE ANCHORS FOR ALL UNITS AS FOLLOWS. WHERE ANCHOR QUANTITY CHART INDICATES 1 CONCRETE INSTALLATION ANCHOR IS REQ'D. IN JAMBS, LOCATE ANCHOR AT INSTALLATION HOLE NEAR MEETING RAILS. WHERE ANCHOR QUANTITY CHART INDICATES 2 CONCRETE INSTALLATION ANCHORS IN HEAD OR JAMBS LOCATE ANCHORS WITHIN 6" OF FRAME CORNERS CORNERS OF FRAMING MEMBER.
  - 5) USE LATEX CAULK BEHIND WINDOW FLANGE AT HEAD & JAMBS. SILL MUST BE ATTACHED TO THE SUBSTRATE WITH VULKEM 116 ADHESIVE CAULK OR APPROVED EQUAL.
  - 6) USE LATEX CAULK FOR PERIMETER SEAL AROUND EXTERIOR OF WINDOW FLANGE.
  - 7) IF EXACT WINDOW SIZE IS NOT LISTED IN ANCHOR CHART, USE ANCHOR QUANTITY LISTED WITH NEXT LARGER SIZE.
  - 8) GLASS THICKNESS MAY VARY PER THE REQUIREMENTS OF ASTM E1300 GLASS CHARTS. SINGLE GLAZING IS SHOWN, INSULATING GLASS ALSO QUALIFIED.
  - 9) ALL FACTORY APPLIED HOLES NOT DESIGNATED FOR CONCRETE FASTENERS SHOULD BE FILLED WITH #8 SCREWS OF SUFFICIENT LENGTH TO PROVIDE MIN. OF 5/8" EMBEDMENT INTO WOOD BUCK.

ANCHOR CAPACITY CHART

| WINDOW SIZE IN INCHES | QUANTITY OF 3/16" DIA. CONCRETE ANCHORS REQ'D. FOR INSTALLATION |            |
|-----------------------|---|------------|
|                       | @ HEAD & SILL   | @ EA. JAMB |
| 24 X 24               | 2   | 1          |
| 24 X 30               | 2   | 1          |
| 24 X 36               | 2   | 1          |
| 24 X 42               | 2   | 2          |
| 24 X 48               | 2   | 2          |
| 24 X 54               | 2   | 2          |
| 24 X 60               | 2   | 2          |
| 24 X 66               | 2   | 2          |
| 24 X 72               | 2   | 2          |
| 24 X 76               | 2   | 2          |
| 30 X 24               | 2   | 1          |
| 30 X 30               | 2   | 1          |
| 30 X 36               | 2   | 1          |
| 30 X 42               | 2   | 2          |
| 30 X 48               | 2   | 2          |
| 30 X 54               | 2   | 2          |
| 30 X 60               | 2   | 2          |
| 30 X 66               | 2   | 2          |
| 30 X 72               | 2   | 2          |
| 30 X 76               | 2   | 2          |
| 36 X 24               | 2   | 1          |
| 36 X 30               | 2   | 1          |
| 36 X 36               | 2   | 1          |
| 36 X 42               | 2   | 2          |
| 36 X 48               | 2   | 2          |
| 36 X 54               | 2   | 2          |
| 36 X 60               | 2   | 2          |
| 36 X 66               | 2   | 2          |
| 36 X 72               | 2   | 2          |
| 36 X 76               | 2   | 2          |
| 42 X 24               | 2   | 1          |
| 42 X 30               | 2   | 1          |
| 42 X 36               | 2   | 1          |
| 42 X 42               | 2   | 2          |
| 42 X 48               | 2   | 2          |
| 42 X 54               | 2   | 2          |
| 42 X 60               | 2   | 2          |
| 42 X 66               | 2   | 2          |
| 42 X 72               | 2   | 2          |
| 42 X 76               | 2   | 2          |
| 48 X 24               | 2   | 1          |
| 48 X 30               | 2   | 1          |
| 48 X 36               | 2   | 1          |
| 48 X 42               | 2   | 2          |
| 48 X 48               | 2   | 2          |
| 48 X 54               | 2   | 2          |
| 48 X 60               | 2   | 2          |
| 48 X 66               | 2   | 2          |
| 48 X 72               | 2   | 2          |
| 48 X 76               | 2   | 2          |
| 54 X 24               | 2   | 1          |
| 54 X 30               | 2   | 1          |
| 54 X 36               | 2   | 1          |
| 54 X 42               | 2   | 2          |
| 54 X 48               | 2   | 2          |
| 54 X 54               | 2   | 2          |
| 54 X 60               | 2   | 2          |
| 54 X 66               | 2   | 2          |
| 54 X 72               | 2   | 2          |
| 54 X 76               | 2   | 2          |

CUSTOM WINDOW SYSTEMS, INC.  
OCALA, FLORIDA

TITLE: SERIES 3500 ALUMINUM SINGLE HUNG WINDOW  
INSTALLATION DETAIL IN MASONRY W/ 1 X BUCK

|                           |               |                  |
|---------------------------|---------------|------------------|
| ENGINEER: MANUEL MARTINEZ | DRN: BB       | DATE: 02/22/02   |
| DISCIPLINE: CIVIL         | SCALE: N.T.S. | DWG. NO: CWS0115 |
| FL. REG. NO: 47182        | REV. LETTER:  | SHEET: 1 OF 1    |