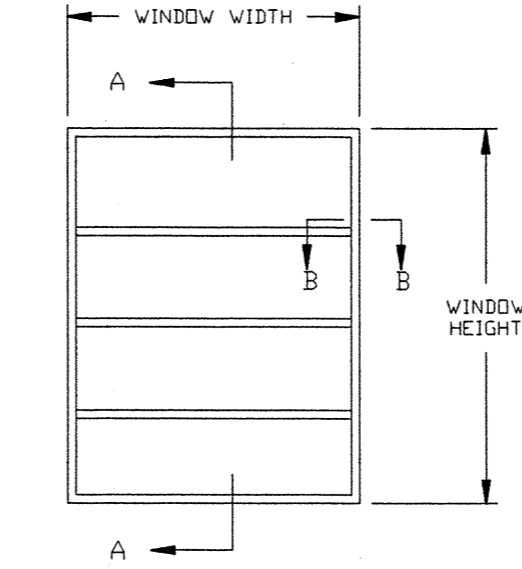
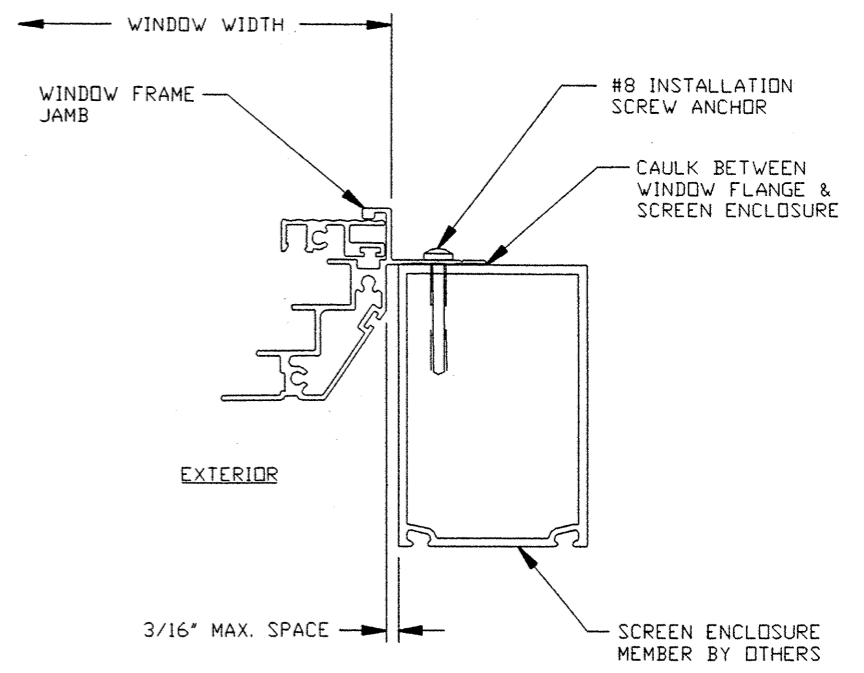


SECTION A-A



EXTERIOR ELEVATION



SECTION B-B

- NOTES:
- 1) WINDOW FRAME MATERIAL ALUMINUM ALLOY 6063.
 - 2) INSTALLATION ANCHORS, #8 SCREWS, MUST BE SPACED 6" MAX. FROM CORNERS AND 24" O.C. MAX.
 - 3) CAULK BEHIND WINDOW FIN WITH LATEX CAULK. APPLICATION OF LATEX CAULK MUST COMPLY WITH SEALANT MANUFACTURERS RECOMMENDATIONS.
 - 4) WINDOW VENTS SHALL BE REMOVED WHEN WINDS EXCEED 75 MPH AS PER BUILDING CODE.

CUSTOM WINDOW SYSTEMS, INC. OCALA, FLORIDA		
TITLE: 4 TRACK PIN I.S.M. INSTALLATION DETAIL		
ENGINEER: MANUEL MARTINEZ	DRN: BB	DATE: 3/06/02
DISCIPLINE: CIVIL	SCALE: N.T.S.	DWG. NO: CWS-0120
FL. REG. NO: 47182	REV. LETTER:	SHEET: 1 OF 1

MJM
04-202