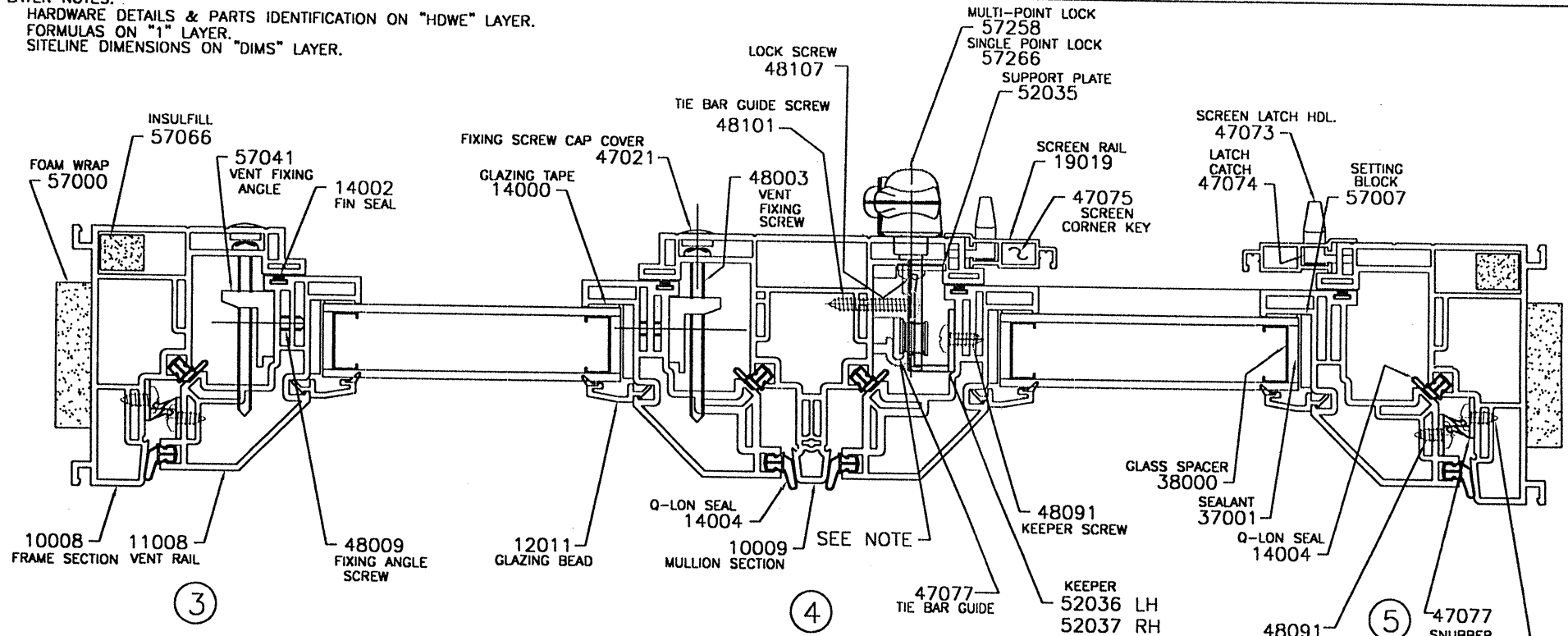


LAYER NOTES:

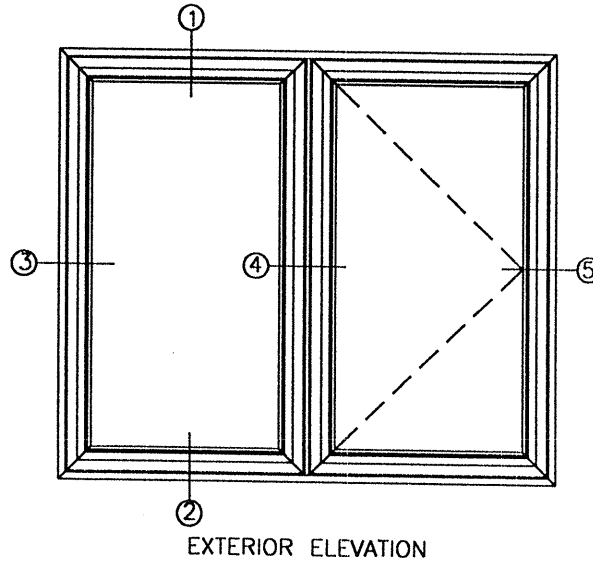
HARDWARE DETAILS & PARTS IDENTIFICATION ON "HDWE" LAYER.  
 FORMULAS ON "1" LAYER.  
 SITELINE DIMENSIONS ON "DIMS" LAYER.



NOTE:

TIE BAR REQUIREMENT VARIES WITH WINDOW HEIGHT.

WDW. HGT:	TIE BAR #:
25" - 32.875"	57259
33" - 40.875"	57260
41" - 48.875"	57261
49" - 56.875"	57262
57" - 64.875"	57263
65" - 72.875"	57264



FOR HEIGHT DETAILS FOR OPERATING CASEMENT SEE DRAWING P3001A.  
 FOR HEIGHT DETAILS OF FIXED LITE SEE DRAWING P3008A.



GORELL ENTERPRISES, INC. 1380 Wayne Ave Indiana, Pa. 15701	
SCALE FULL	REVISIONS
DATE 4/22/02	
DWN DN	
TITLE CASEMENT W/TRUTH HARDWARE G3007 CSMT. WDW. ASSEMBLY	
DWG. NO.	P3007A