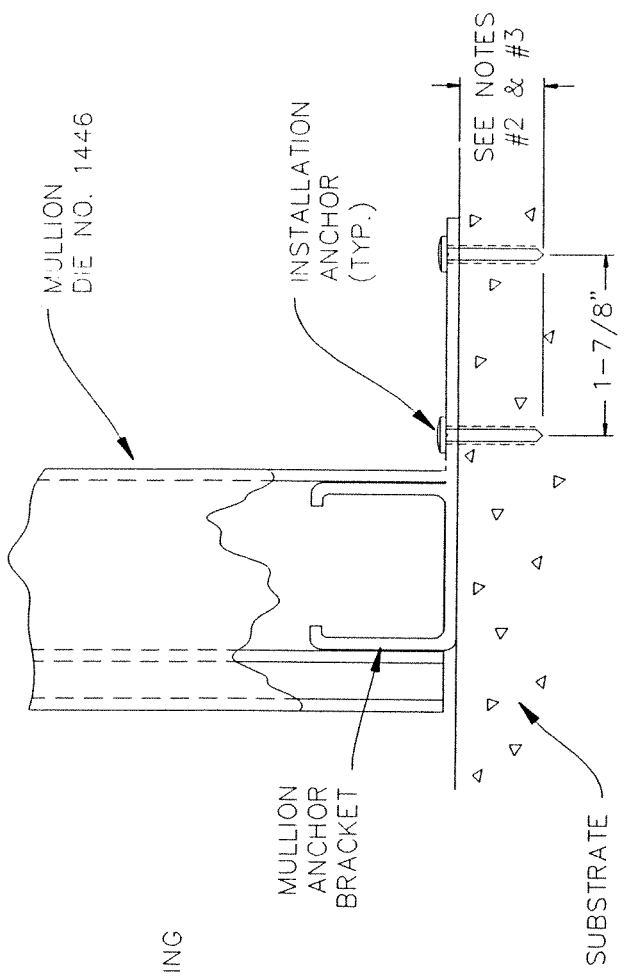
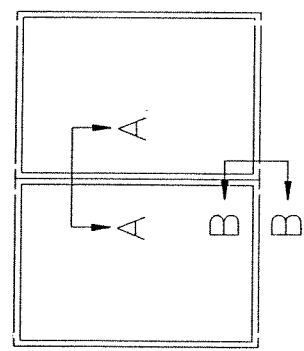


SECTION A-A



SECTION B-B



EXTERIOR ELEVATION

- NOTES:
- 1) MULLION INSTALLATION DETAILS APPLY TO ALUMINUM TUBE MULLION, DIE NO. 1446. WHEN USED TO MULL SINGLE HUNG AND OR PICTURE WINDOWS SIDE BY SIDE.
 - 2) IN MASONRY CONSTRUCTION, ATTACH MULLION TO SUBSTRATE WITH 3/16" DIA. CONCRETE SCREW ANCHOR OF SUFFICIENT LTH. TO ACHIEVE 1-1/4" MIN. EMBEDMENT INTO CONCRETE OR MASONRY.
 - 3) IN WOOD FRAME CONSTRUCTION, ATTACH MULLION TO SUBSTRATE USING #10 SCREWS OF SUFFICIENT LTH. TO ACHIEVE 1-3/8" MIN. EMBEDMENT INTO WOOD FRAMING.

Handwritten initials and date:
 JS
 037202

| | |
|--|------------------|
| GENERAL ALUMINUM CORP. CARROLLTON, TEXAS | |
| TITLE: FIN VERTICAL MULLION INSTALLATION DETAIL ALUMINUM TUBE MULLION, DIE NO. 1446 | |
| AREA: ----- | APRVD: ----- |
| DRN: JS | DATE: 3/17/02 |
| WT/FT: ----- | MATL: ----- |
| SCALE: HALF | DWG NO: GEN-0451 |

GENERAL ALUMINUM CORPORATION
VERTICAL MULLION DESIGN LOAD CAPACITY CHART
ALUMINUM MULLION, DIE #1446

| |
|----------------------------------|
| FLANGE VERTICAL S.H. SIZES |
|----------------------------------|

| WDW. WTH. > WDW. HGT. V | 19.125 | 26.500 | 30.500 | 37.000 | 48.000 | 53.125 |
|----------------------------|--------|--------|--------|--------|--------|--------|
| 26.000 | 758 | 705 | 705 | 705 | 705 | 705 |
| 38.375 | 293 | 243 | 229 | 220 | 219 | 219 |
| 50.625 | 138 | 109 | 101 | 91 | 85 | 85 |
| 54.625 | 108 | 85 | 78 | 70 | 63 | 62 |
| 55.625 | 102 | 80 | 73 | 65 | 59 | 58 |
| 63.000 | 69 | 53 | 48 | 43 | 37 | 36 |
| 72.000 | 45 | 34 | 31 | 27 | 23 | 22 |

CHART APPLIES ONLY TO MULLION #1446 WHEN USED TO MULL FLANGE SINGLE HUNG AND PICTURE WINDOWS.
 READ WINDOW WIDTH AND HEIGHT IN INCHES
 DESIGN PRESSURE VALUES ON THIS CHART ARE IN PSF

PREPARED BY:
PRODUCT & APPLICATION ENGINEERING, INC.
 250 INTERNATIONAL PARKWAY
 SUITE 250
 HEATHROW, FLORIDA 32746
 PHONE 407 805-0365 / FAX 407 805-0366

CA020035
 JAN. 11, 02
 01-1201

YJA
 01-22-02

GENERAL ALUMINUM CORPORATION
VERTICAL MULLION DESIGN LOAD CAPACITY CHART
ALUMINUM MULLION, DIE #1446

| |
|---|
| FLANGE VERTICAL P.W. SIZES |
|---|

| WDW. WTH. > WDW. HGT. V | 16.000 | 24.000 | 36.000 | 48.000 | 53.125 | 73.000 |
|----------------------------|--------|--------|--------|--------|--------|--------|
| 16.000 | 3026 | 3026 | 3026 | 3026 | 3026 | 3026 |
| 24.000 | 1009 | 897 | 897 | 897 | 897 | 897 |
| 30.000 | 587 | 478 | 459 | 459 | 459 | 459 |
| 36.000 | 384 | 299 | 266 | 266 | 266 | 266 |
| 48.000 | 188 | 140 | 112 | 105 | 105 | 105 |
| 60.000 | 93 | 67 | 51 | 45 | 43 | 43 |
| 72.000 | 52 | 37 | 28 | 23 | 22 | 21 |

CHART APPLIES ONLY TO MULLION #1446 WHEN USED TO MULL FLANGE SINGLE HUNG AND PICTURE WINDOWS.

READ WINDOW WIDTH AND HEIGHT IN INCHES
 DESIGN PRESSURE VALUES ON THIS CHART ARE IN PSF

PREPARED BY:
PRODUCT & APPLICATION ENGINEERING, INC.
 250 INTERNATIONAL PARKWAY
 SUITE 250
 HEATHROW, FLORIDA 32746
 PHONE 407 805-0365 / FAX 407 805-0366

CA020036
 JAN. 11, 02
 01-1201

Handwritten: 1446
 02-20-02