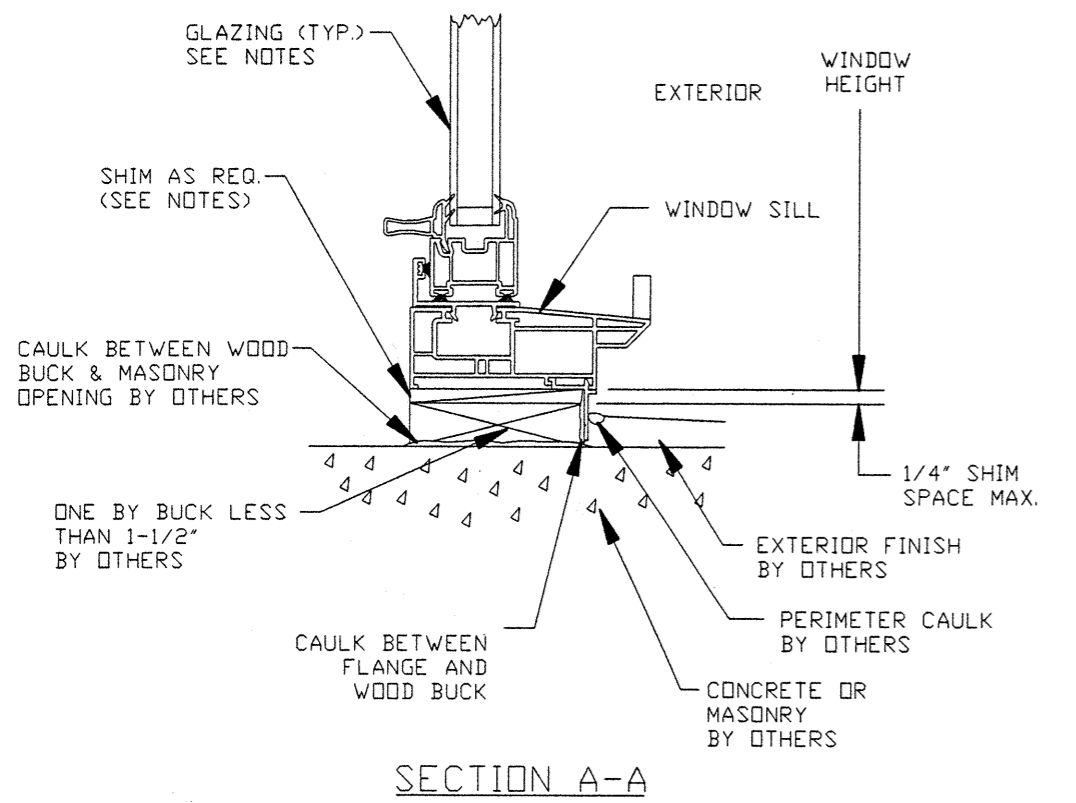
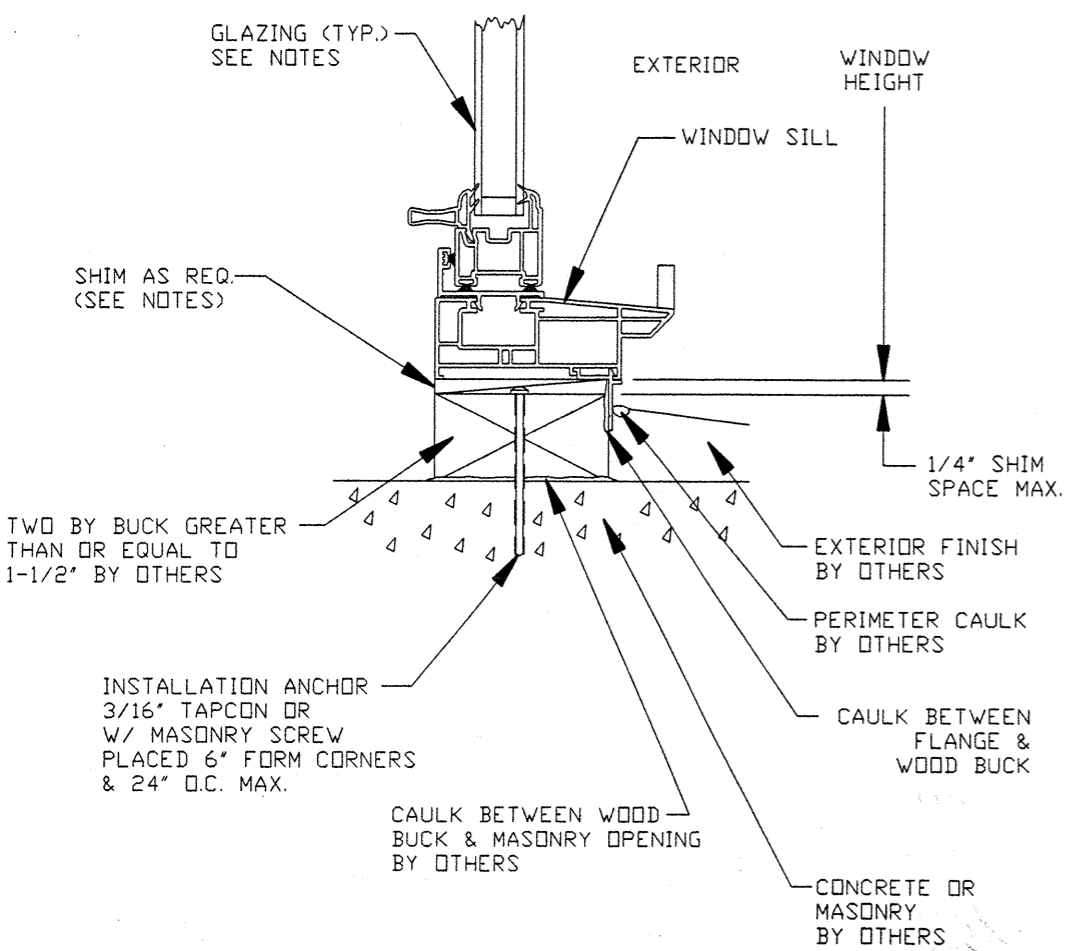


- NOTES:**
- 1) SHIM AS REQ'D. AT EACH INSTALLATION ANCHOR W/ LOAD BEARING SHIM. MAX. ALLOWABLE SHIM STACK TO BE 1/4". USE SHIMS WHERE SPACE GREATER THAN 1/16" IS PRESENT.
  - 2) WINDOW FRAME MATERIAL: POLY VINYL CHLORIDE.
  - 3) DRAWINGS ARE SHOWN WITH FLANGE OPTION.
  - 4) 3/16" DIA. TAPCON OR MASONRY SCREW ANCHOR MUST BE OF SUFFICIENT LTH. TO ACHIEVE MIN. EMBEDMENT OF 1-1/4" INTO MASONRY OR CONCRETE.
  - 5) LETTER DESIGNATIONS ON THE FASTENER LOCATION CHART INDICATE WHERE FASTENERS ARE TO BE INSTALLED WHEN USING THE EXTERIOR ELEVATION AS A KEY.
  - 6) NOT ALL INSTALLATION HOLES FOR ANCHORS SHOWN ON ELEVATION ARE APPLIED BY FACTORY IN ALL SIZES. USE #8 SCREWS OF SUFFICIENT LTH. TO PROVIDE MIN. 5/8 IN. EMBEDMENT INTO WOOD BUCK.
  - 7) #8 SCREW INSTALLATION ANCHORS IN TWO BY WOOD BUCK INSTALLATION MUST BE OF SUFFICIENT LENGTH TO ACHIEVE MIN. EMBEDMENT OF 1-1/8" INTO TWO BY WOOD BUCK. PLACE #8 INSTALLATION ANCHORS 6" FROM CORNERS & 24" O.C. MAX.
  - 8) NO INSTALLATION ANCHORS TO BE PUT INTO FRAME SILL.
  - 9) CAULK BEHIND WINDOW FLANGE AT HEAD & JAMBS WITH CAULK. CAULK BEHIND WINDOW FLANGE AT SILL WITH VULKEM 116 ADHESIVE CAULK OR SCHNEE-MOREHEAD SM8500 ADHESIVE SEALANT. APPLICATION OF CAULK & SEALANTS MUST COMPLY WITH SEALANT MANUFACTURER'S RECOMMENDATIONS.
  - 10) USE CAULK FOR PERIMETER SEAL AROUND EXTERIOR OF WINDOW FLANGE BY OTHERS.
  - 11) IF EXACT WINDOW SIZE IS NOT LISTED IN ANCHOR CHART, USE ANCHOR QUANTITY LISTED WITH NEXT LARGER SIZE.
  - 12) GLASS THICKNESS MAY VARY PER THE REQUIREMENTS OF ASTM E1300 GLASS CHARTS.
  - 13) INSTALLATION AS STATED HEREIN COMPLIES WITH THE FLORIDA BUILDING CODE AT 60.0 PSF.
  - 14) ANCHOR DETAILS SHOW TWO BY & ONE BY WOOD BUCK. INSTALLATION WOULD ALSO APPLY WHERE NO WOOD BUCK IS USED.

<b>STANEK WINDOW CO.</b>		
TITLE: SERIES 1000, 2000, 3000 & 4000 SINGLE & DOUBLE HUNG WINDOW INSTALLATION DETAILS IN MASONRY WITH ONE & TWO BY BUCK		
ENGINEER: MANUEL MARTINEZ	DRN: BB	DATE: 6/04/02
DISCIPLINE: CIVIL	SCALE: N.T.S.	DWG. NO: STAN0002
FL. REG. NO: 47182	REV. LETTER:	SHEET: 1 OF 2



SECTION A-A

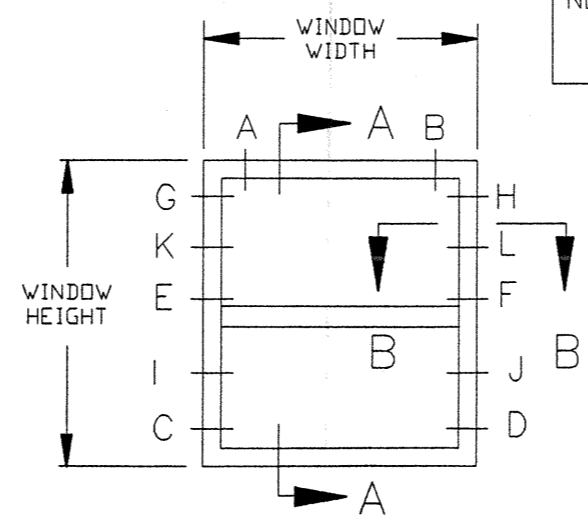


SECTION A-A

ANCHOR LOCATION CHART		
WINDOW SIZE	LOCATION IN HEAD	LOCATION IN EACH JAMB
	UP TO 60 PSF	UP TO 60 PSF
18 X 25	A,B	C,D
18 X 31	A,B	C,D
18 X 37	A,B	C,D
18 X 43	A,B	C,D
18 X 49	A,B	C,D
18 X 55	A,B	C,D
18 X 61	A,B	C,D
18 X 67	A,B	C,D
18 X 70	A,B	C,D,G,H
18 X 76	A,B	C,D,G,H
18 X 82	A,B	C,D,G,H
18 X 88	A,B	C,D,G,H
24 X 25	A,B	C,D
24 X 31	A,B	C,D
24 X 37	A,B	C,D
24 X 43	A,B	C,D
24 X 49	A,B	C,D
24 X 55	A,B	C,D,G,H
24 X 61	A,B	C,D,G,H
24 X 67	A,B	C,D,G,H
24 X 70	A,B	C,D,G,H
24 X 76	A,B	C,D,G,H
24 X 82	A,B	C,D,G,H
24 X 88	A,B	C,D,G,H
30 X 25	A,B	C,D
30 X 31	A,B	C,D
30 X 37	A,B	C,D
30 X 43	A,B	C,D
30 X 49	A,B	C,D,G,H
30 X 55	A,B	C,D,G,H
30 X 61	A,B	C,D,G,H
30 X 67	A,B	C,D,G,H
30 X 70	A,B	C,D,G,H
30 X 76	A,B	C,D,G,H
30 X 82	A,B	C,D,G,H
30 X 88	A,B	C,D,E,F,G,H

ANCHOR LOCATION CHART		
WINDOW SIZE	LOCATION IN HEAD	LOCATION IN EACH JAMB
	UP TO 60 PSF	UP TO 60 PSF
36 X 25	A,B	C,D
36 X 31	A,B	C,D
36 X 37	A,B	C,D
36 X 43	A,B	C,D,G,H
36 X 49	A,B	C,D,G,H
36 X 55	A,B	C,D,G,H
36 X 61	A,B	C,D,G,H
36 X 67	A,B	C,D,G,H
36 X 70	A,B	C,D,G,H
36 X 76	A,B	C,D,E,F,G,H
36 X 82	A,B	C,D,E,F,G,H
36 X 88	A,B	C,D,E,F,G,H
42 X 25	A,B	C,D
42 X 31	A,B	C,D
42 X 37	A,B	C,D
42 X 43	A,B	C,D,G,H
42 X 49	A,B	C,D,G,H
42 X 55	A,B	C,D,G,H
42 X 61	A,B	C,D,G,H
42 X 67	A,B	C,D,G,H
42 X 70	A,B	C,D,E,F,G,H
42 X 76	A,B	C,D,E,F,G,H
42 X 82	A,B	C,D,E,F,G,H
42 X 88	A,B	C,D,E,F,G,H
48 X 25	A,B	C,D
48 X 31	A,B	C,D
48 X 37	A,B	C,D
48 X 43	A,B	C,D,G,H
48 X 49	A,B	C,D,G,H
48 X 55	A,B	C,D,G,H
48 X 61	A,B	C,D,G,H
48 X 67	A,B	C,D,E,F,G,H
48 X 70	A,B	C,D,E,F,G,H
48 X 76	A,B	C,D,E,F,G,H
48 X 82	A,B	C,D,E,F,G,H
48 X 88	A,B	C,D,G,H,I,J,H,L
52 X 25	A,B	C,D
52 X 31	A,B	C,D
52 X 37	A,B	C,D
52 X 43	A,B	C,D,G,H
52 X 49	A,B	C,D,G,H
52 X 55	A,B	C,D,G,H
52 X 61	A,B	C,D,E,F,G,H
52 X 67	A,B	C,D,E,F,G,H
52 X 70	A,B	C,D,E,F,G,H
52 X 76	A,B	C,D,E,F,G,H
52 X 82	A,B	C,D,E,F,G,H
52 X 88	A,B	C,D,G,H,I,J,K,L

NOTE: WINDOW FRAME SIZE BEFORE FLANGE IS ATTACHED.



ELEVATION VIEWED FROM EXTERIOR

**STANEK WINDOW CO.**

TITLE: SERIES 1000, 2000, 3000 & 4000 SINGLE & DOUBLE HUNG WINDOW INSTALLATION CHARTS IN MASONRY WITH ONE & TWO BY BUCK

ENGINEER: MANUEL MARTINEZ	DRN: BB	DATE: 6/04/02
DISCIPLINE: CIVIL	SCALE: N.T.S.	DWG. NO: STAN0002-2
FL. REG. NO: 47182	REV. LETTER:	SHEET: 2 OF 2