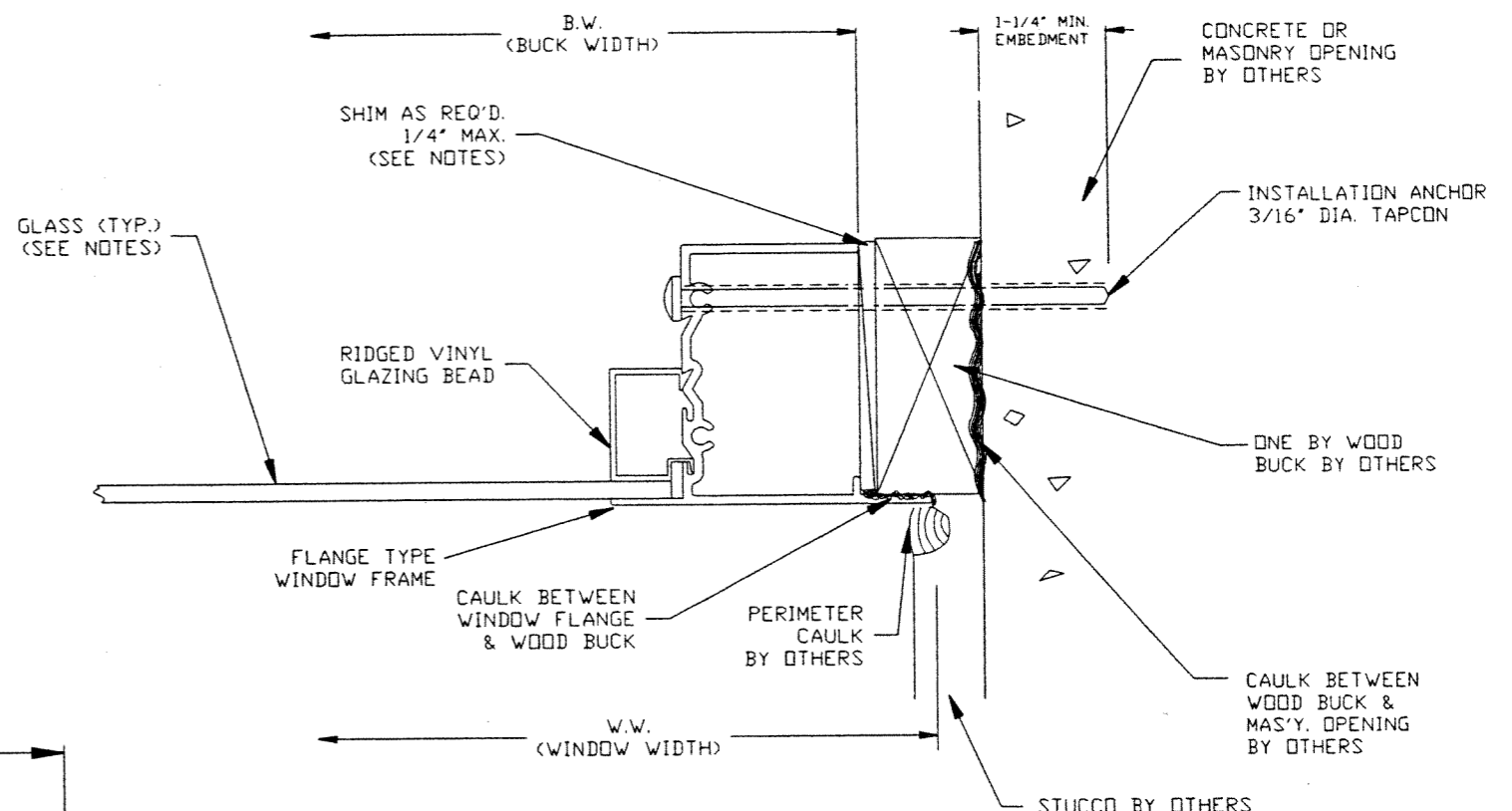
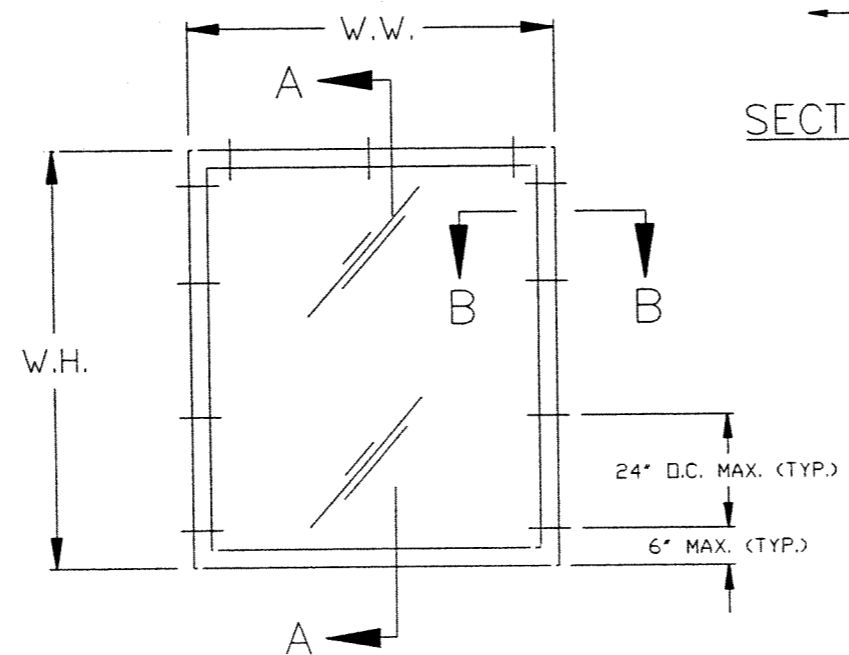


SECTION A-A



SECTION B-B



ELEVATION  
VIEWED FROM EXTERIOR

- NOTES:
- 1) SHIM AS REQ'D. AT EACH INSTALLATION ANCHOR. MAX. ALLOWABLE SHIM STACK TO BE 1/4".
  - 2) WINDOW FRAME MATERIAL: ALUMINUM ALLOY 6063.
  - 3) 3/16" DIA. TAPCON INSTALLATION ANCHORS MUST BE OF SUFFICIENT LTH. TO ACHIEVE MIN. EMBEDMENT OF 1-1/4" INTO MASONRY OR CONCRETE.
  - 4) USE SILICONIZED ACRYLIC CAULK BEHIND WINDOW FLANGE AT HEAD & JAMBS. SILL MUST BE ATTACHED TO THE SUBSTRATE WITH VULKEM 116 ADHESIVE CAULK OR APPROVED EQUAL.
  - 5) USE SILICONIZED ACRYLIC CAULK FOR PERIMETER SEAL AROUND EXTERIOR OF WINDOW FLANGE.
  - 6) IF EXACT WINDOW SIZE IS NOT LISTED IN ANCHOR CHART, USE ANCHOR QUANTITY LISTED WITH NEXT LARGER SIZE, FOR THE APPROPRIATE DESIGN PRESSURE REQ'D.
  - 7) GLASS THICKNESS MAY VARY PER THE REQUIREMENTS OF ASTM E1300 GLASS CHARTS.
  - 8) WHERE SPACING BETWEEN TAPCON ANCHORS EXCEEDS 24 IN. O.C., #8 SCREWS OF SUFFICIENT LTH. TO PROVIDE MIN. 5/8 IN. EMBEDMENT INTO WOOD BUCK SHOULD BE INSTALLED.
  - 9) FLORIDA EXTRUDERS 1000 SERIES FIXED WINDOW IS SHOWN. THIS PRINT ALSO APPLIES TO THE FLORIDA EXTRUDERS 2000 SERIES FIXED WINDOWS.
  - 10) SEE BACK OF THIS SH. FOR INST'L N ANCHOR REQUIREMENTS.
  - 11) APPLICATION OF VULKEM 116 ADHESIVE CAULK AT FRAME SILL MUST COMPLY WITH SEALANT MANUFACTURER'S RECOMMENDATIONS.
  - 12) WHERE WINDOW IS INSTALLED IN MASONRY OPENING WITH A STRUCTUAL TWO BY WOOD BUCK, USE #10 SCREWS OF SUFFICIENT LENGTH TO ACHIEVE 1-3/8" MIN. EMBEDMENT.
  - 13) WINDOW UNITS CAN BE MULLED TO OTHER UNITS USING ALUMINUM TUBE MULLION. SEE MULLION INSTALLATION SHEETS FOR REQUIREMENTS.

<b>FLORIDA EXTRUDERS INTERNATIONAL, INC.</b> SANFORD, FLORIDA		
TITLE: INSTALLATION DETAIL W/ ONE BY BUCK FIXED FLANGE WINDOW - SERIES 1000 & 2000		
DRAWN BY: BB		APPROVED BY:
DATE: 10/22/01	SCALE: NTS	DWG.: FLEX0018 SHEET 1 OF 2

*[Handwritten Signature]*  
 FEB 21 2002

TAPCON INSTALLATION CHART FOR FIXED WINDOWS

TIP TO TIP	BUCK SIZE	LOCATIONS IN HEAD			LOCATIONS IN JAMB		
		30PSF TO 45PSF	46PSF TO 60PSF	61PSF TO 70PSF	30PSF TO 45PSF	46PSF TO 60PSF	61PSF TO 70PSF
19 1/8 X 12	18 1/8 X 11	1	1	1	1	1	1
19 1/8 X 18	18 1/8 X 17	1	1	1	1	1	1
19 1/8 X 26	18 1/8 X 25	1	1	1	1	1	1
19 1/8 X 32	18 1/8 X 31	1	1	1	1	1	1
19 1/8 X 38 3/8	18 1/8 X 37 3/8	1	1	1	1	1	1
19 1/8 X 44	18 1/8 X 43	1	1	1	1	1	1
19 1/8 X 50 5/8	18 1/8 X 49 5/8	1	1	1	1	1	1
19 1/8 X 56 1/4	18 1/8 X 55 1/4	1	1	1	1	1	1
19 1/8 X 63	18 1/8 X 62	1	1	1	1	1	1
19 1/8 X 72	18 1/8 X 71	1	1	1	1	1	2
19 1/8 X 84	18 1/8 X 83	1	1	1	2	2	2
19 1/8 X 96	18 1/8 X 95	1	1	1	2	2	2
26 1/2 X 12	25 1/2 X 11	1	1	1	1	1	1
26 1/2 X 18	25 1/2 X 17	1	1	1	1	1	1
26 1/2 X 26	25 1/2 X 25	1	1	1	1	1	1
26 1/2 X 32	25 1/2 X 31	1	1	1	1	1	1
26 1/2 X 38 3/8	25 1/2 X 37 3/8	1	1	1	1	1	1
26 1/2 X 44	25 1/2 X 43	1	1	1	1	1	1
26 1/2 X 50 5/8	25 1/2 X 49 5/8	1	1	1	1	2	2
26 1/2 X 56 1/4	25 1/2 X 55 1/4	1	1	1	1	2	2
26 1/2 X 63	25 1/2 X 62	1	1	1	1	2	2
26 1/2 X 72	25 1/2 X 71	1	1	1	2	2	2
26 1/2 X 84	25 1/2 X 83	1	1	1	2	2	2
26 1/2 X 96	25 1/2 X 95	1	1	1	2	2	3
32 X 12	31 X 11	1	1	1	1	1	1
32 X 18	31 X 17	1	1	1	1	1	1
32 X 26	31 X 25	1	1	1	1	1	1
32 X 32	31 X 31	1	1	1	1	1	1
32 X 38 3/8	31 X 37 3/8	1	1	1	1	1	1
32 X 44	31 X 43	1	1	1	1	1	2
32 X 50 5/8	31 X 49 5/8	1	1	1	1	2	2
32 X 56 1/4	31 X 55 1/4	1	1	1	1	2	2
32 X 63	31 X 62	1	1	1	2	2	2
32 X 72	31 X 71	1	1	1	2	2	2
32 X 84	31 X 83	1	1	1	2	2	3
32 X 96	31 X 95	1	1	1	2	3	3
37 X 12	36 X 11	1	1	1	1	1	1
37 X 18	36 X 17	1	1	1	1	1	1
37 X 26	36 X 25	1	1	1	1	1	1
37 X 32	36 X 31	1	1	1	1	1	1
37 X 38 3/8	36 X 37 3/8	1	1	1	1	1	1
37 X 44	36 X 43	1	1	1	1	1	2
37 X 50 5/8	36 X 49 5/8	1	1	1	1	2	2
37 X 56 1/4	36 X 55 1/4	1	1	1	2	2	2
37 X 63	36 X 62	1	1	1	2	2	2
37 X 72	36 X 71	1	1	1	2	2	3
37 X 84	36 X 83	1	1	1	2	3	3
37 X 96	36 X 95	1	1	1	2	3	3
44 X 12	43 X 11	1	1	1	1	1	1
44 X 18	43 X 17	1	1	1	1	1	1
44 X 26	43 X 25	1	1	1	1	1	1
44 X 32	43 X 31	1	1	1	1	1	1
44 X 38 3/8	43 X 37 3/8	1	1	1	1	1	2
44 X 44	43 X 43	1	1	1	1	2	2
44 X 50 5/8	43 X 49 5/8	1	1	1	2	2	2
44 X 56 1/4	43 X 55 1/4	1	1	1	2	2	2
44 X 63	43 X 62	1	1	1	2	2	3
44 X 72	43 X 71	1	1	1	2	3	3
44 X 84	43 X 83	1	1	1	2	3	3
44 X 96	43 X 95	1	1	1	3	3	4
48 X 12	47 X 11	1	1	1	1	1	1
48 X 18	47 X 17	1	1	1	1	1	1
48 X 26	47 X 25	1	1	2	1	1	1
48 X 32	47 X 31	1	1	2	1	1	1
48 X 38 3/8	47 X 37 3/8	1	1	2	1	1	2
48 X 44	47 X 43	1	1	2	1	2	2
48 X 50 5/8	47 X 49 5/8	1	1	2	2	2	2
48 X 56 1/4	47 X 55 1/4	1	1	2	2	2	2
48 X 63	47 X 62	1	1	2	2	2	3
48 X 72	47 X 71	1	1	2	2	3	3
48 X 84	47 X 83	1	1	2	3	3	4
48 X 96	47 X 95	1	1	2	3	4	4

*[Handwritten Signature]*  
 FEB 21 2002

TAPCON INSTALLATION CHART FOR FIXED WINDOWS

TIP TO TIP	BUCK SIZE	LOCATIONS IN HEAD			LOCATIONS IN JAMB		
		30PSF TO 45PSF	46PSF TO 60PSF	61PSF TO 70PSF	30PSF TO 45PSF	46PSF TO 60PSF	61PSF TO 70PSF
53 1/8 X 12	52 1/8 X 11	1	1	1	1	1	1
53 1/8 X 18	52 1/8 X 17	1	1	1	1	1	1
53 1/8 X 26	52 1/8 X 25	1	2	2	1	1	1
53 1/8 X 32	52 1/8 X 31	1	2	2	1	1	1
53 1/8 X 38 3/8	52 1/8 X 37 3/8	1	2	2	1	2	2
53 1/8 X 44	52 1/8 X 43	1	2	2	1	2	2
53 1/8 X 50 5/8	52 1/8 X 49 5/8	1	2	2	2	2	2
53 1/8 X 56 1/4	52 1/8 X 55 1/4	1	2	2	2	2	3
53 1/8 X 63	52 1/8 X 62	1	2	2	2	3	3
53 1/8 X 72	52 1/8 X 71	1	2	2	2	3	3
53 1/8 X 84	52 1/8 X 83	1	2	2	3	3	4
53 1/8 X 96	52 1/8 X 95	1	2	2	3	4	5
64 X 12	63 X 11	1	1	1	1	1	1
64 X 18	63 X 17	1	1	2	1	1	1
64 X 26	63 X 25	1	2	2	1	1	1
64 X 32	63 X 31	2	2	2	1	1	1
64 X 38 3/8	63 X 37 3/8	2	2	2	1	2	2
64 X 44	63 X 43	2	2	2	2	2	2
64 X 50 5/8	63 X 49 5/8	2	2	2	2	2	3
64 X 56 1/4	63 X 55 1/4	2	2	2	2	3	3
64 X 63	63 X 62	2	2	2	2	3	3
64 X 72	63 X 71	2	2	2	3	3	4
64 X 81	63 X 80	2	2	2	3	4	4
72 X 72	71 X 71	2	3	3	3	4	4
74 X 12	73 X 11	1	1	1	1	1	1
74 X 18	73 X 17	1	2	2	1	1	1
74 X 26	73 X 25	2	2	2	1	1	1
74 X 32	73 X 31	2	2	3	1	1	2
74 X 38 3/8	73 X 37 3/8	2	3	3	1	2	2
74 X 44	73 X 43	2	3	3	2	2	2
74 X 50 5/8	73 X 49 5/8	2	3	3	2	2	3
74 X 56 1/4	73 X 55 1/4	2	3	3	2	3	3
74 X 63	73 X 62	2	3	3	2	3	4
84 X 12	83 X 11	1	1	1	1	1	1
84 X 18	83 X 17	1	2	2	1	1	1
84 X 26	83 X 25	2	2	2	1	1	1
84 X 32	83 X 31	2	3	3	1	2	2
84 X 38 3/8	83 X 37 3/8	2	3	3	1	2	2
84 X 44	83 X 43	3	3	4	2	2	2
84 X 50 5/8	83 X 49 5/8	3	3	4	2	2	3
84 X 56 1/4	83 X 55 1/4	3	3	4	2	3	3
96 X 12	95 X 11	1	1	1	1	1	1
96 X 18	95 X 17	1	2	2	1	1	1
96 X 26	95 X 25	2	2	3	1	1	2
96 X 32	95 X 31	2	3	3	1	2	2
96 X 38 3/8	95 X 37 3/8	3	3	4	2	2	2
96 X 44	95 X 43	3	4	4	2	2	2
96 X 50 5/8	95 X 49 5/8	3	4	5	2	3	3
108 X 12	107 X 11	1	1	2	1	1	1
108 X 18	107 X 17	2	2	2	1	1	1
108 X 26	107 X 25	2	3	3	1	2	2
108 X 32	107 X 31	3	3	4	2	2	2
108 X 38 3/8	107 X 37 3/8	3	4	4	2	2	2
120 X 12	119 X 11	1	2	2	1	1	1
120 X 18	119 X 17	2	2	2	1	1	1
120 X 26	119 X 25	2	3	3	1	2	2
120 X 32	119 X 31	3	4	4	2	2	2
120 X 38 3/8	119 X 37 3/8	3	4	5	2	2	3

FLORIDA EXTRUDERS INTERNATIONAL, INC.  
 SANFORD, FLORIDA

TITLE: INSTALLATION DETAIL W/ ONE BY BUCK  
 FIXED FLANGE WINDOW - SERIES 1000 & 2000

DRAWN BY: BB APPROVED BY:  
 DATE: 10/22/01 SCALE: NTS DWG.: FLEX0018 SHEET 2 OF 2