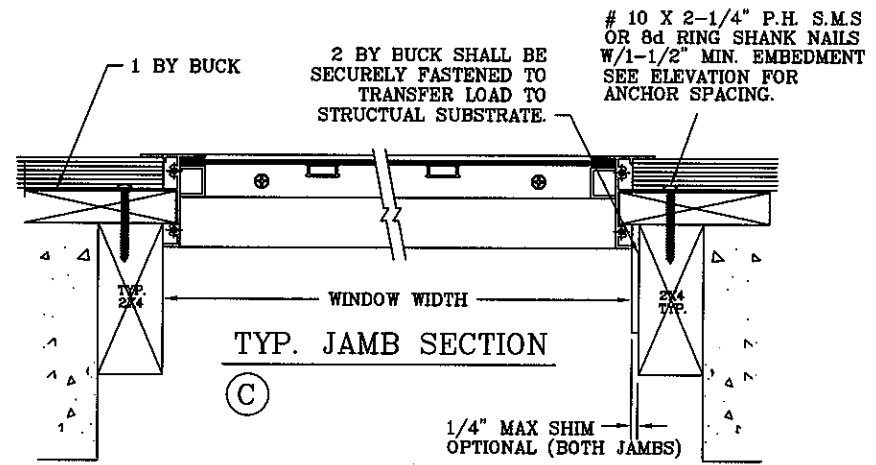


HEADER AND SILL SECTION

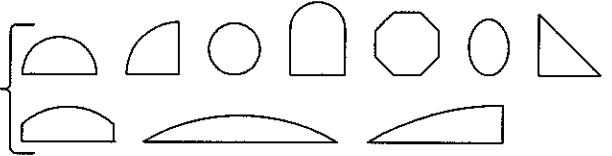
- NOTES:
- 1) SHIMS ARE OPTIONAL, MAX SHIM STACK 1/4".
  - 2) ALL ALUMINUM EXTRUSIONS ARE ALLOY 6063-T5 OR T6 WITH TYPICAL WALL THICKNESS OF 0.062".
  - 3) USE HIGH QUALITY CAULK BEHIND WINDOW FIN.
  - 4) GLASS THICKNESS BASED ON ASTM E 1300 GLASS CHARTS, AND MAY VARY DEPENDING ON SIZE.
  - 5) THE RESPONSIBILITY FOR SELECTION OF NORANDEX PRODUCTS TO MEET ANY APPLICABLE LOCAL LAWS, BUILDING CODES, ORDINANCES OR OTHER SAFETY REQUIREMENTS REST SOLELY WITH THE ARCHITECT, BUILDING OWNER OR CONTRACTOR.
  - 6) EQUAL FASTENERS AT HEAD AND SILL ARE REQUIRED.
  - 7) WOOD BUCKS NOT BY NORANDEX MUST SUSTAIN IMPOSED LOADS. CONTRACTOR IS RESPONSIBLE FOR MAINTAINING STRUCTURAL INTEGRITY OF THE WINDOW OPENING AND ANY WOOD FRAMING AROUND WINDOW HEADER.
  - 8) WOOD BUCKS NOT BY NORANDEX MUST SUSTAIN IMPOSED LOADS. CONTRACTOR IS RESPONSIBLE FOR MAINTAINING STRUCTURAL INTEGRITY OF THE WINDOW OPENING AND ANY WOOD FRAMING AROUND WINDOW HEADER.



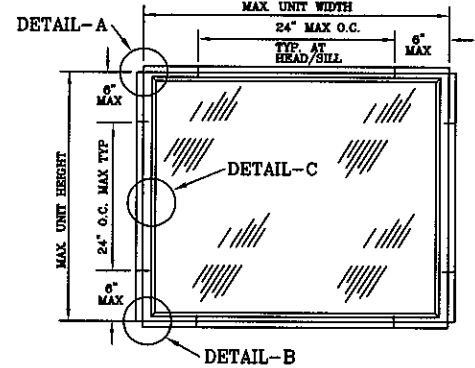
*W.A. Davis*  
9/3/02

W.A. DAVIS JR. P.E.  
FL. REG. ENG. # 25539  
DATE: 9/3/02

THIS CERTIFICATION IS VALID FOR THE OPTIONAL WINDOW SHAPES DISPLAYED TO THE RIGHT AND ADDITIONAL SIMILAR SHAPES. PICTURE WINDOW SHOWN ABOVE.



WINDOW DIMENSIONS		WINDOW FASTENER SCHEDULE					
WIDTH (INCHES)	HEIGHT (INCHES)	NO. ANCHORS HEAD/SILL SEE NOTE 6			NO. ANCHORS JAMB		
		±35 (PSF)	±45 (PSF)	±60 (PSF)	±35 (PSF)	±45 (PSF)	±60 (PSF)
19-1/8"	26"	2	2	2	2	2	2
26-1/2"		2	2	2	2	2	2
37"		2	3	3	2	2	2
53-1/8"		3	3	4	2	2	2
19-1/8"	38-1/4"	2	2	2	2	3	3
26-1/2"		2	2	2	2	3	3
37"		2	3	3	2	3	3
53-1/8"		3	3	4	2	3	3
19-1/8"	50-5/8"	2	2	2	3	3	3
26-1/2"		2	2	2	3	3	3
37"		2	3	3	3	3	3
53-1/8"		3	3	4	3	3	3
19-1/8"	63"	2	2	2	3	4	4
26-1/2"		2	2	2	3	4	4
37"		2	3	3	3	4	4
53-1/8"		3	3	4	3	4	4
19-1/8"	76-3/4"	2	2	2	3	4	5
26-1/2"		2	2	2	3	4	5
37"		2	3	3	3	4	5
53-1/8"		3	3	4	3	4	5



438 FIXED GLASS  
 FOR SIDING APPLICATION  
 INSTALLATION DETAIL AND  
 FASTENER SCHEDULE

SERIES: 438  
 ALUMINUM FIXED WINDOW  
 NORANDEX  
 4505 30th STREET WEST  
 BRADENTON, FL. 34407  
 PHONE: (941) 766-1591

NO.	DATE	REVISIONS DESCRIPTION

DATE: 7/31/02  
 SCALE: N.T.S.  
 DWG. BY: RAF  
 CHK. BY:  
 DWG. NO.: ORL-014