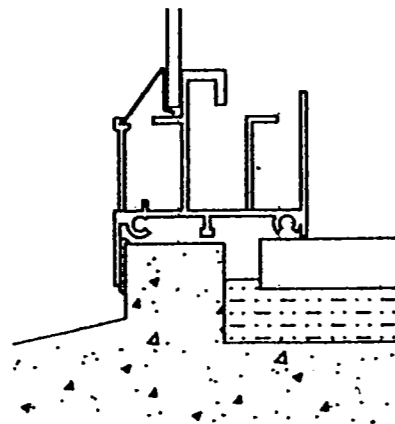


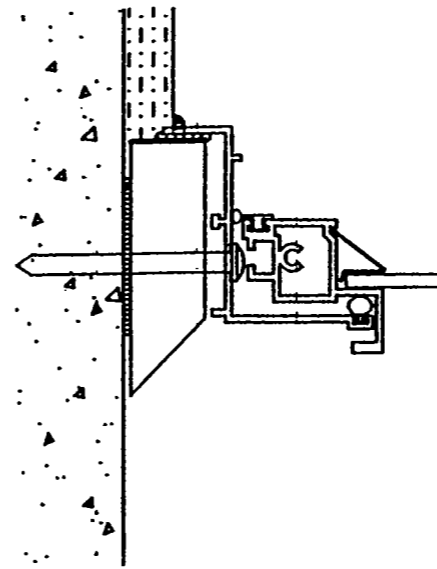
Section B

FASTENER CHART			
HEIGHT			
Up to 48'	2		
48' to 63'	3		

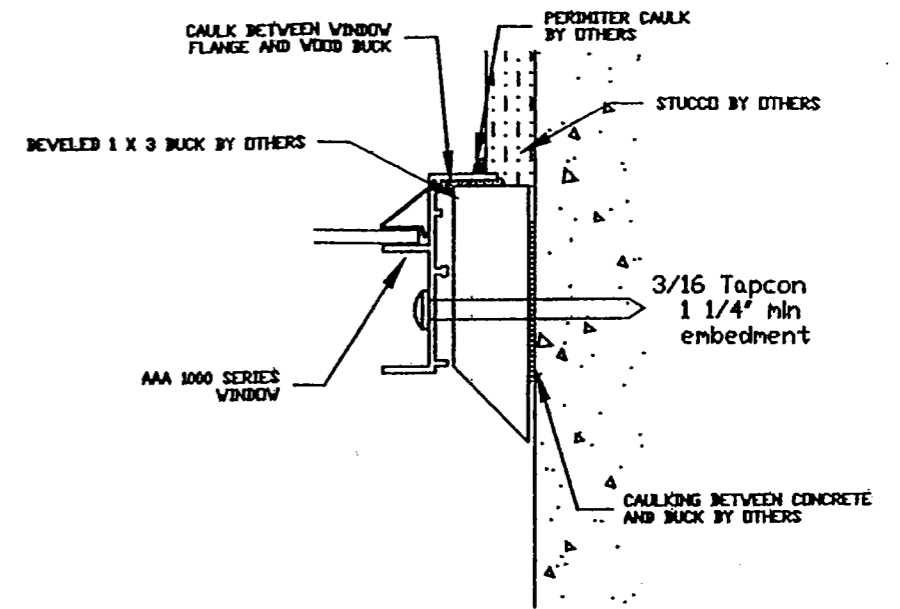
ALL HEADS HAVE 4 FASTENERS
NO FASTENERS IN SILLS



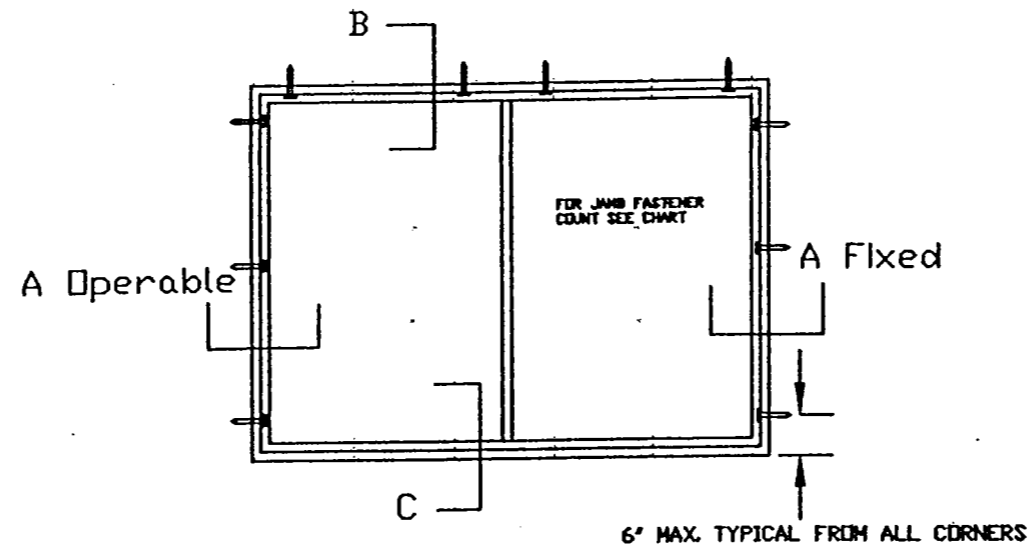
Section C



Section A Operable



SECTION A Fixed



ELEVATION

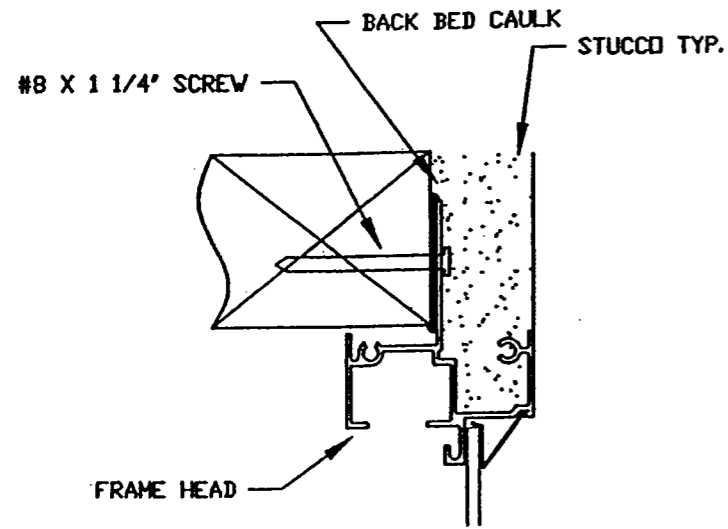
MANUFACTURED BY NAME:
FLESHER WINDOW
MASTER FILE # 3

Notes:

1. Installation of wood bucks (by others) to be either 2x4 with #8 x 1 3/4 wood screw or 1x4 with 3/16"x2 3/4" Tapcon
2. Wood bucks (by others) must be continuous at opening head and jambs. If cracking occurs remove and replace prior to installation.
3. Maximum allowable shim space is 3/8".
4. Apply shims at each anchor as necessary for spaces over 1/8".
5. Reference section A, apply an approved caulk between window flange and buck & sill.
6. Window must be installed plumb and level, 1/4" Tol.
7. Minimum screw embedment for 2x4 bucks 1 1/4"
8. Minimum Tapcon embedment for 1x4 bucks 1 1/4"
9. Refer to fastener chart for fastener quantities

John J. Flynn
11/16/02

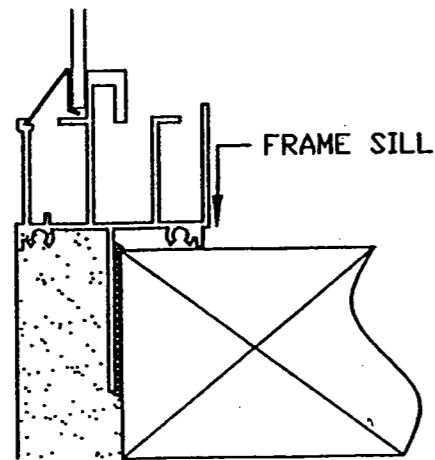
FLESHER WINDOWS INC		
DBA AAA ALUMINUM STAMPING LEHIGH ACRES FL		
1000 SERIES ALUMINUM HORIZONTAL ROLLER		
INSTALLATION DETAILS		
DWG BY: ADG	DATE: 4/20/2002	SCALE: NTS



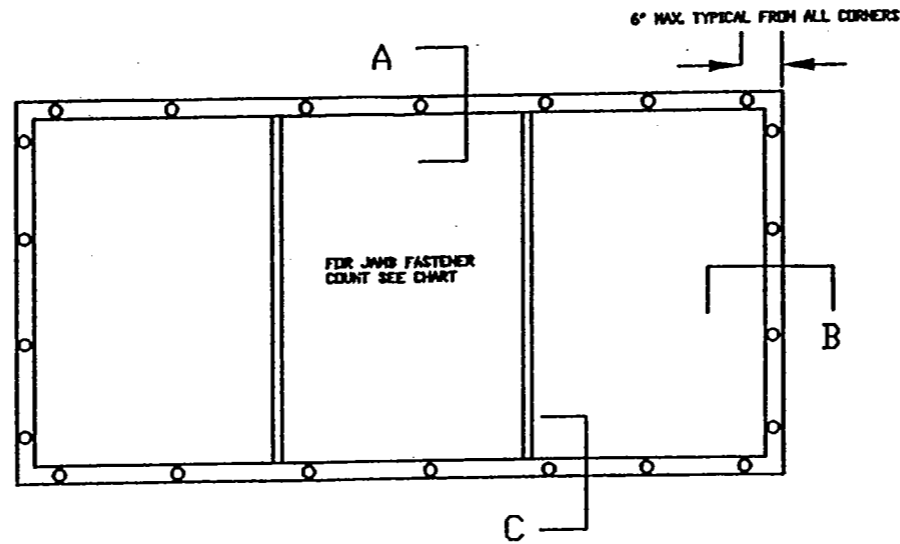
SECTION A

SCREW FASTENER CHART		
JAMB HEIGHT	HEAD & SILL	
24' & 26'	3 24' & 26 1/2'	2
36' & 37'	4 36' & 37'	2
48' & 50 5/8'	5 48' & 53 1/8'	3
60' & 63'	5 60'	4
	72' & 74 1/8'	5
	84'	6
	96'	7
	108'	8

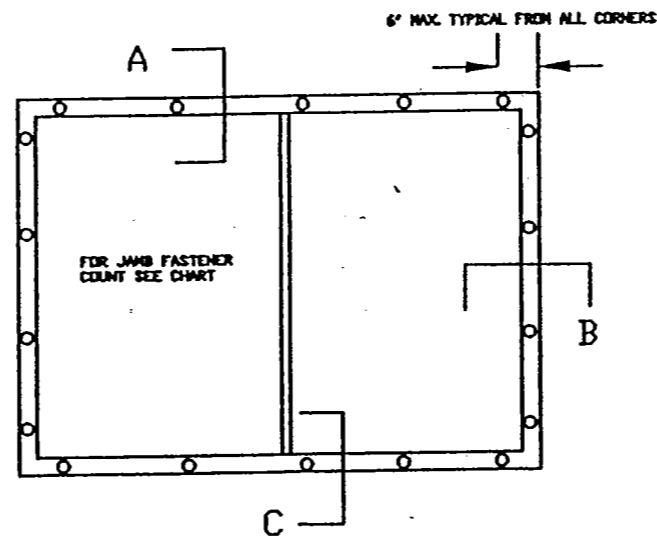
MAXIMUM SPAN 16' APART
MAXIMUM FROM CORNERS 6'



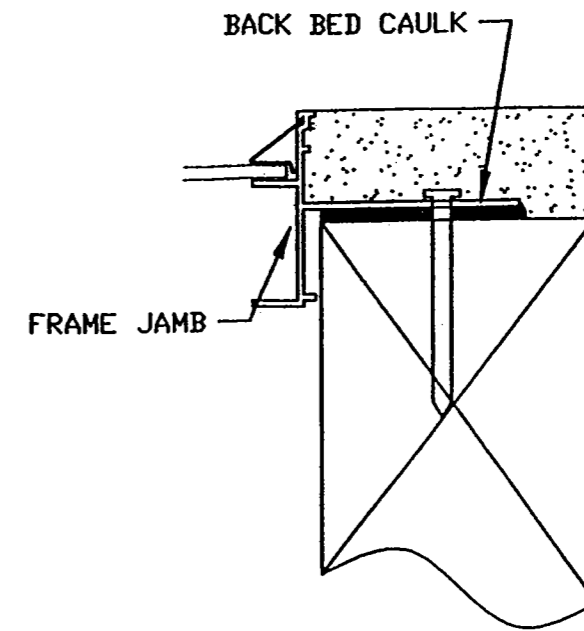
Section C



ELEVATION



ELEVATION



Section B

CENTRAL FLORIDA B.O.A.F.

MANUFACTURER NAME:

FLESHER WINDOW

MASTER FILE # 3

Notes:

1. Maximum allowable shim space is 3/8'.
2. Apply shims at each ancor as necessary for spaces over 1/8'.
3. Reference section A, apply an approved caulk between window fin and wall.
4. Window must be installed plumb and level, 1/4' Tol.
5. Minimum screw embedment 1"
6. Refer to fastener chart for fastener quantities

John Fitzgerald
11/16/02

FLESHER WINDOWS INC		
DBA AAA ALUMINUM STAMPING LEHIGH ACRES FL		
1000 SERIES ALUMINUM HORIZONTAL ROLLERS FIN		
INSTALLATION DETAILS		
DWG BY: ADG	DATE: 8/08/2002	SCALE: NTS