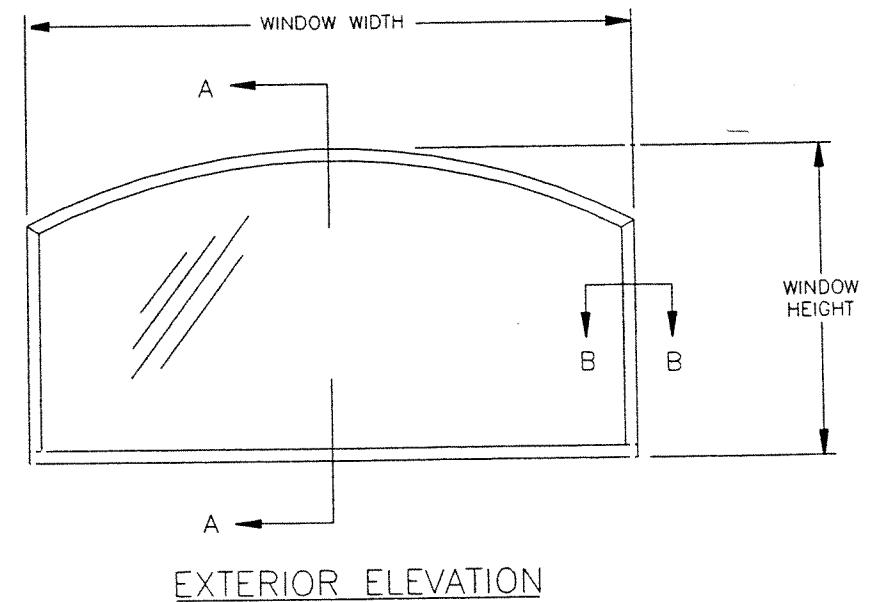
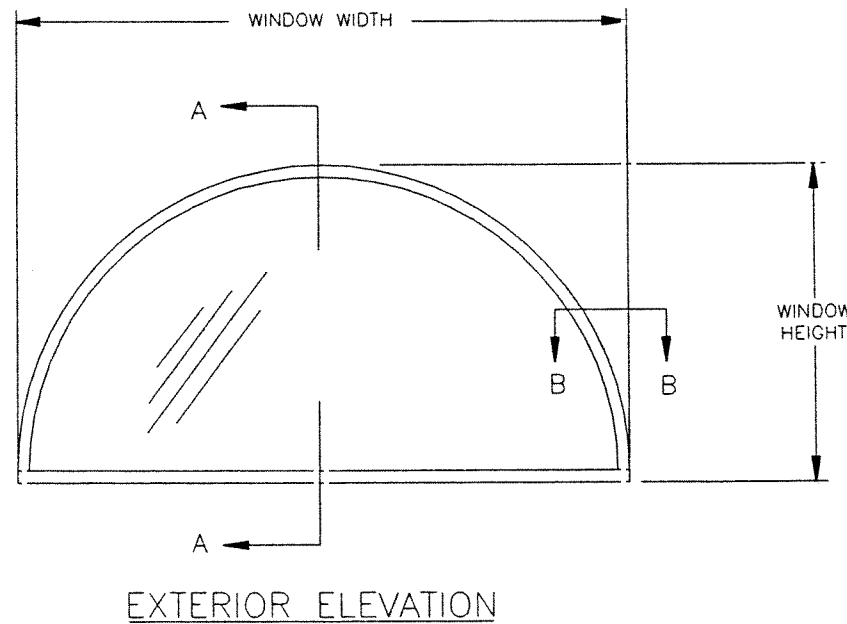
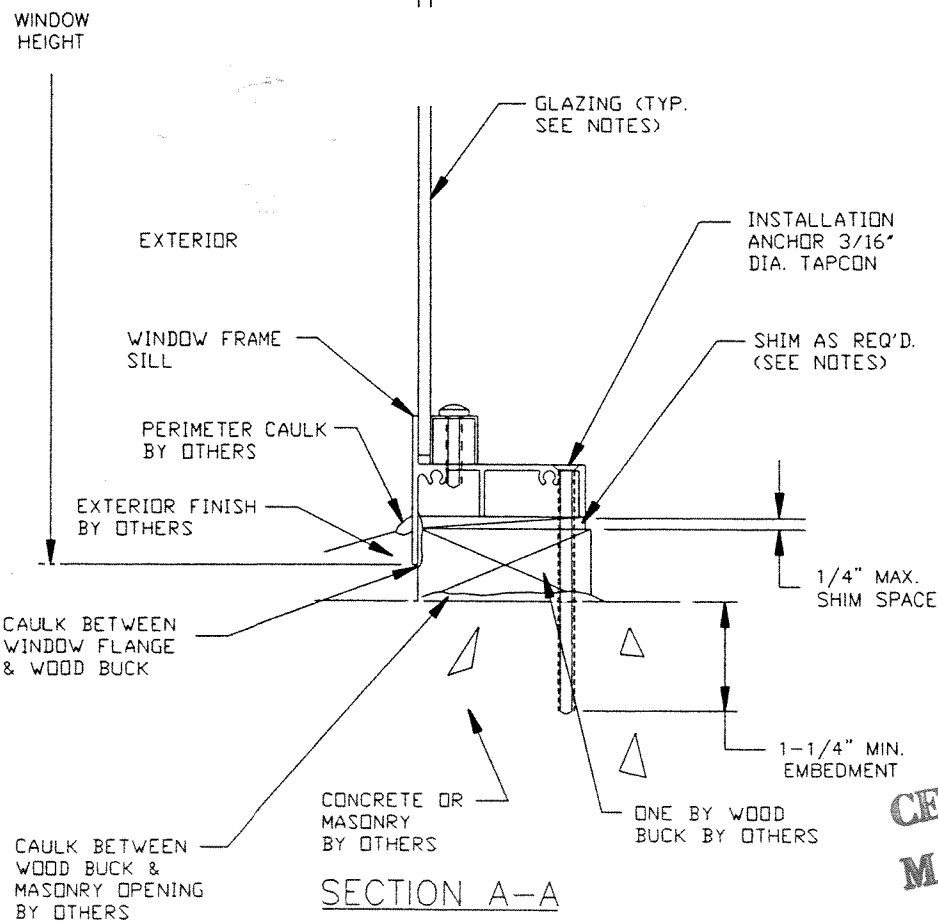
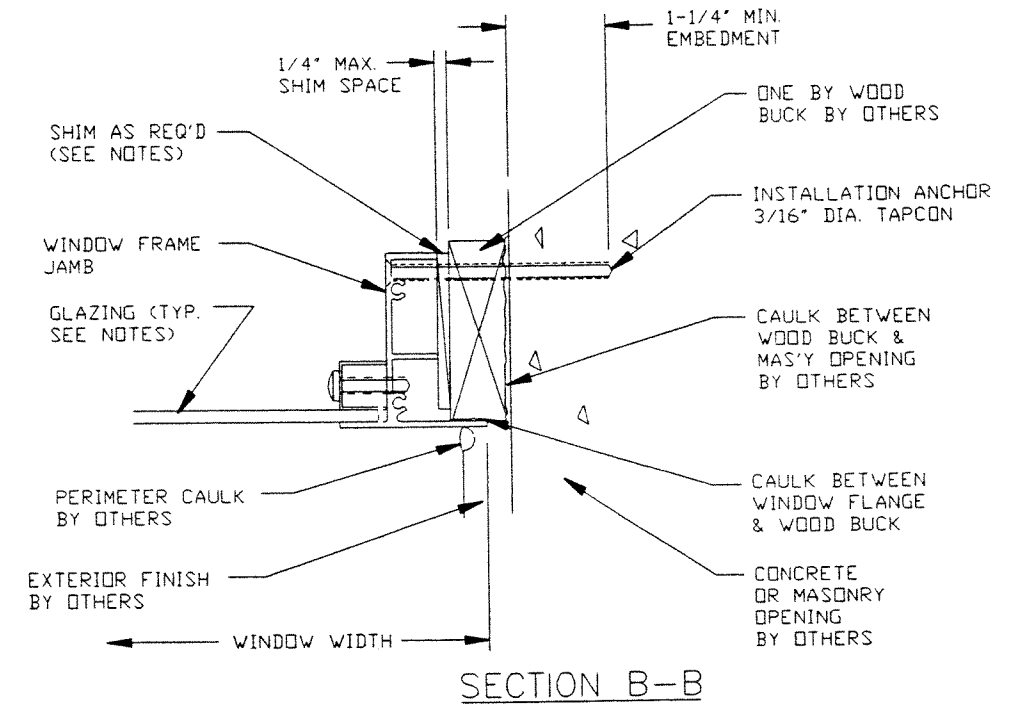


NOTES:

- 1) SHIM AS REQ'D. AT EACH INSTALLATION ANCHOR WITH LOAD BEARING SHIM. MAX. ALLOWABLE SHIM STACK TO BE 1/4".
- 2) WINDOW FRAME MATERIAL: ALUMINUM ALLOY 6063.
- 3) 3/16" DIA. TAPCON INSTALLATION ANCHOR MUST BE OF SUFFICIENT LTH. TO ACHIEVE MIN. EMBEDMENT OF 1-1/4" INTO MASONRY OR CONCRETE. PLACE TAPCON ANCHORS 6" FROM CORNERS & 24" O. C. MAX. ALL FACTORY APPLIED HOLES NOT DESIGNATED FOR TAPCON ANCHORS SHOULD BE FILLED WITH #8 SCREWS OF SUFFICIENT LTH. TO PROVIDE MIN. 5/8 IN. EMBEDMENT INTO WOOD BUCK.
- 4) WHERE WINDOW IS INSTALLED IN MASONRY OPENING WITH A STRUCTURAL TWO BY BUCK, USE #10 SCREWS OF SUFFICIENT LENGTH TO ACHIEVE 1-3/8" MIN. EMBEDMENT AT SAME SPACING STATED IN NOTE 3.
- 5) USE SILICONIZED ACRYLIC CAULK BEHIND WINDOW FLANGE AT HEAD, SILL JAMBS.
- 6) USE SILICONIZED ACRYLIC CAULK FOR PERIMETER SEAL AROUND EXTERIOR OF WINDOW FLANGE.
- 7) GLASS THICKNESS MAY VARY PER THE REQUIREMENTS OF ASTM E1300 GLASS CHARTS. SINGLE GLAZING IS SHOWN, INSULATING GLASS IS ALSO QUALIFIED.
- 8) BUILD DOWN AROUND CURVED PORTION OF WINDOW FRAME TO BE ENGINEERED BY OTHERS. BUILD DOWN MUST BE OF SUFFICIENT STRENGTH TO ADEQUATELY TRANSFER LOAD FROM WINDOW TO THE STRUCTURE.
- 9) FLORIDA EXTRUDERS 1000 SERIES DESIGNER WINDOW SHOWN. THIS PRINT ALSO APPLIES TO FLORIDA EXTRUDERS 1750 SERIES & 2000 SERIES.
- 10) ELEVATIONS SHOW COMMON CONFIGURATIONS. IT IS NOT INTENDED TO LIMIT USE OF THIS PRODUCT TO THESE TWO CONFIGURATIONS. THIS SHEET APPLIES TO ALL CONFIGURATIONS THAT CAN BE MANUFACTURED FROM THE 1000, 1750, & 2000 SERIES DESIGNER FIXED WINDOW FRAMING SYSTEMS.
- 11) WINDOW UNIT CAN BE MULLION TO OTHER UNITS USING ALUMINUM TUBE MULLION. SEE MULLION INSTALLATION SHEETS FOR REQUIREMENTS.



CENTRAL FLORIDA B.O.A.F.
MANUFACTURER NAME:
 MASTER FILE # 4
 FEB 21 2002

FLORIDA EXTRUDERS INTERNATIONAL, INC
 SANFORD, FLORIDA

TITLE: FLANGE INSTALLATION DETAIL CONCRETE HEADER W/1 BY BUCK
 DESIGNER FIXED WINDOW 1000, 1750, & 2000 SERIES

DRAWN BY: BB APPROVED BY:

DATE: 02/12/02 SCALE: NTS DWG.: FLEX0035