

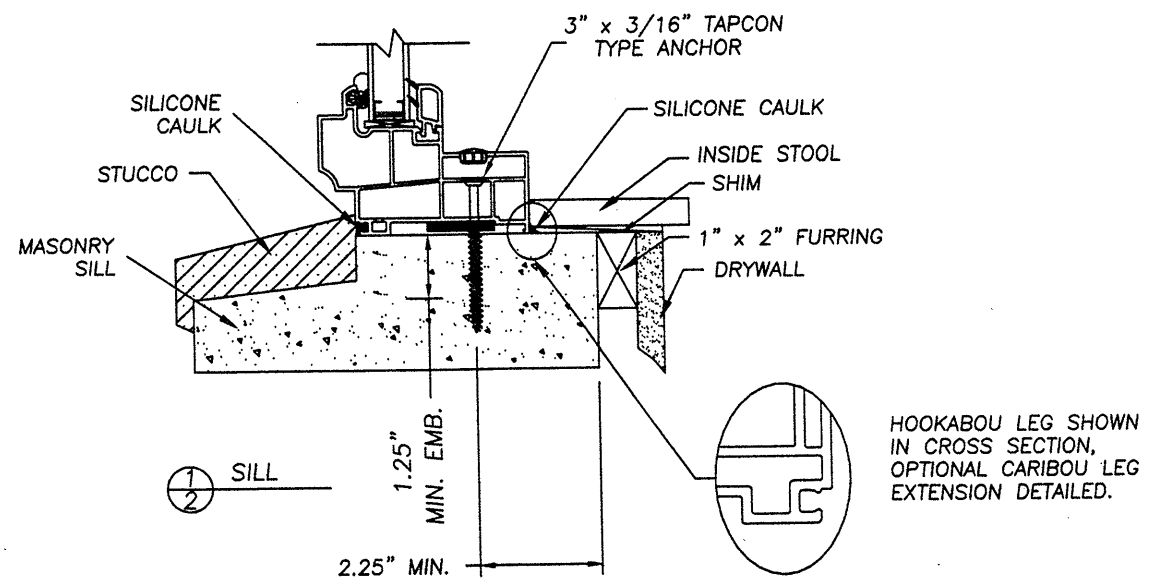
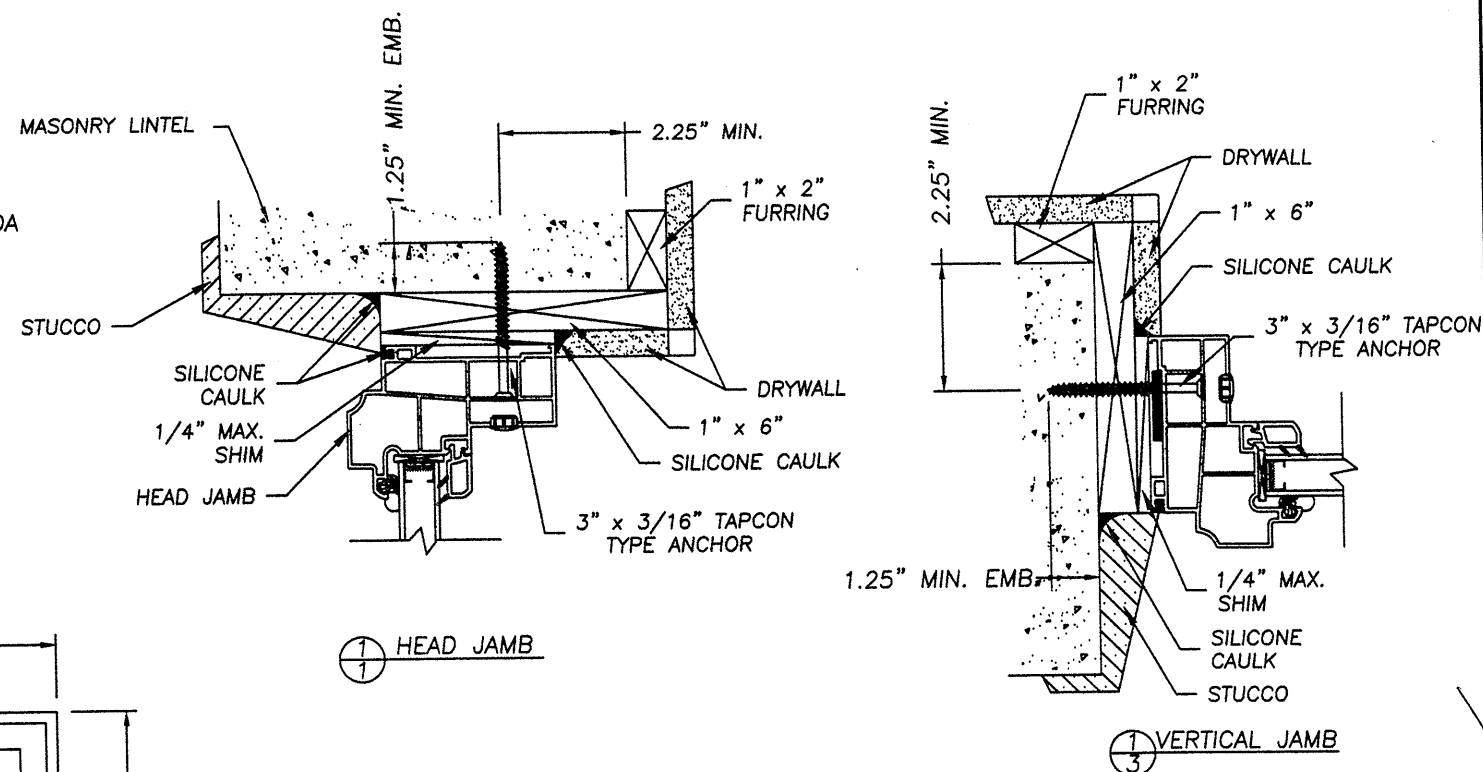
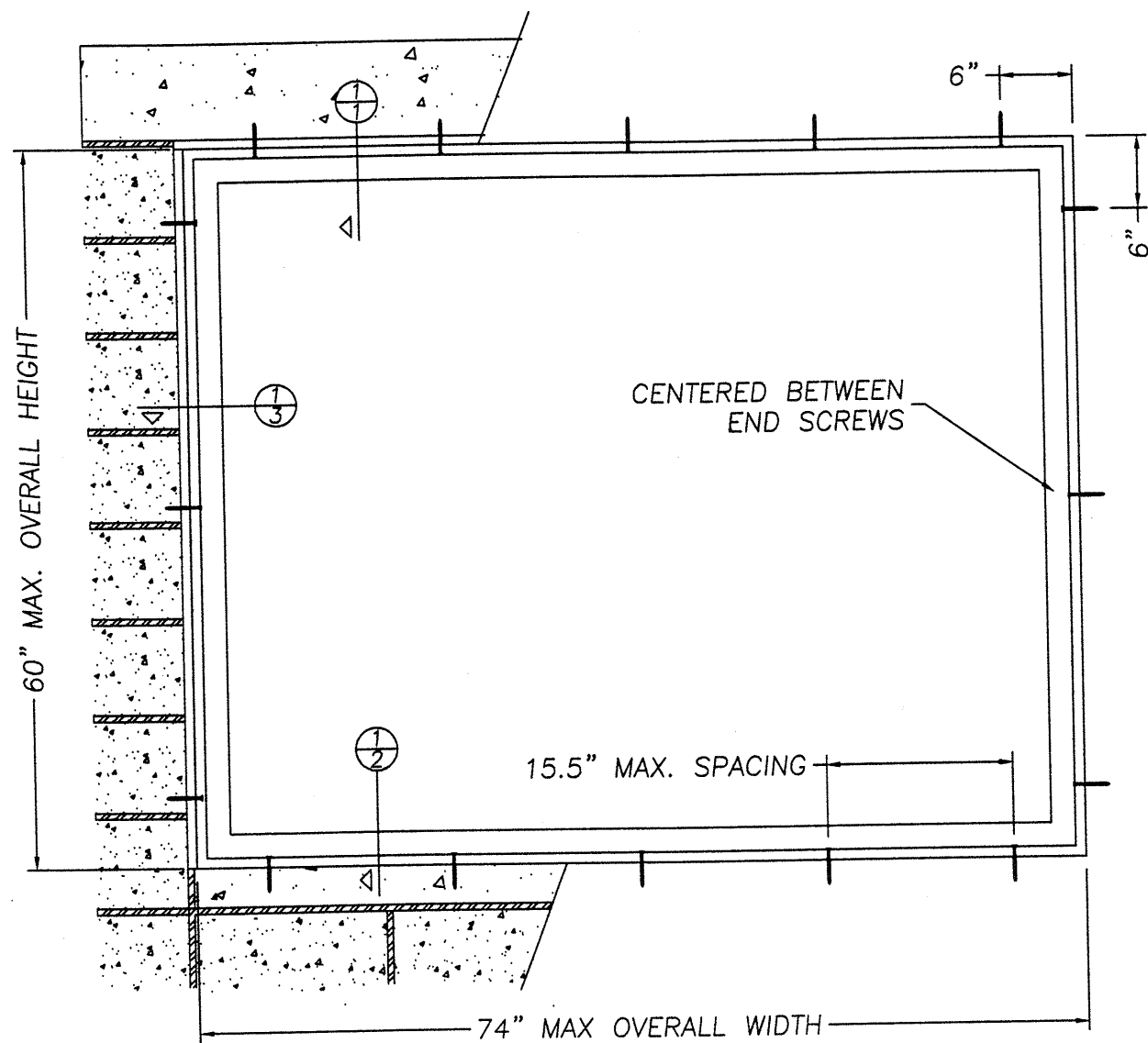
**MODEL DESIGNATION:** Simonton Fixed Series 07-70 / 75-70 Vinyl Window  
 Simonton Fixed Series 07-75 / 75-75 Vinyl Window

**MAXIMUM OVERALL NOMINAL SIZE:** Single up to 74" x 60"

**DESIGN PRESSURE RATING:** Anchors: Positive 55.0 PSF Negative 55.0 PSF  
 Windows: Design Pressure Ratings Vary; See Corresponding AAMA Test Report or Dade NOA or Florida P.E. Evaluation.

**USABLE CONFIGURATIONS:** 0

**GENERAL DESCRIPTION:** The head and side jambs are extruded PVC. The wall thickness through which the anchor screw penetrates is a minimum of 0.070".



- NOTE:**
1. This installation has been evaluated for use in locations adhering to the Florida Building Code and where pressure requirements as determined by ASCE 7 Minimum Design Loads for Buildings and Other Structures do not exceed the design pressure ratings listed herein.
  2. For installations where the sub-buck is less than 1-1/2" (FBC section 1707.4.4 Anchorage Methods and sub-sections 1707.4.4.1 and 1707.4.4.2) Tapcon type concrete anchors must be used and the length must be such that a minimum 1-1/4" engagement of the Tapcon into the masonry wall is obtained.
  3. All interior and exterior perimeter surfaces of the window must be caulked.

**Simonton Windows**  
 One Cochrane Avenue  
 Pennsboro, WV 26415  
 PH. 800.426.2249

*R.W. Schmidt*  
 Lyndon F. Schmidt  
 Florida P. E. No. 43409  
 19506 French Lace Drive  
 Lutz, FL 33558

ANCHORING CROSS SECTIONS  
 FOR 1X BUCK TO MASONRY  
 FIXED  
 VINYL WINDOW

**RW** BUILDING  
 CONSULTANTS, INC.  
 813.684.3831

DATE: 4/12/02  
 SCALE: N.T.S.  
 DWG. BY: W.L.N.  
 CHK. BY: R.W.  
 DRAWING NO.: S-104R  
 SHEET 1 OF 1