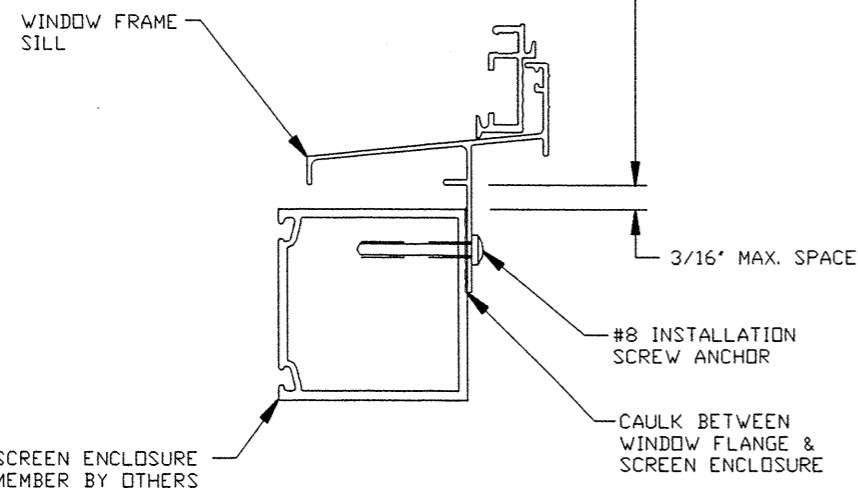
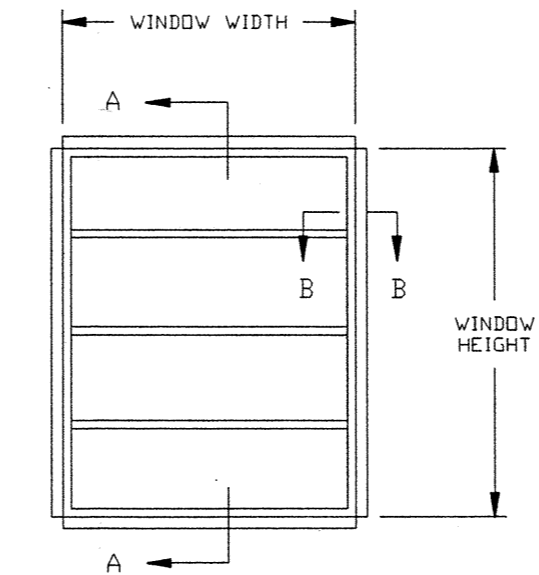


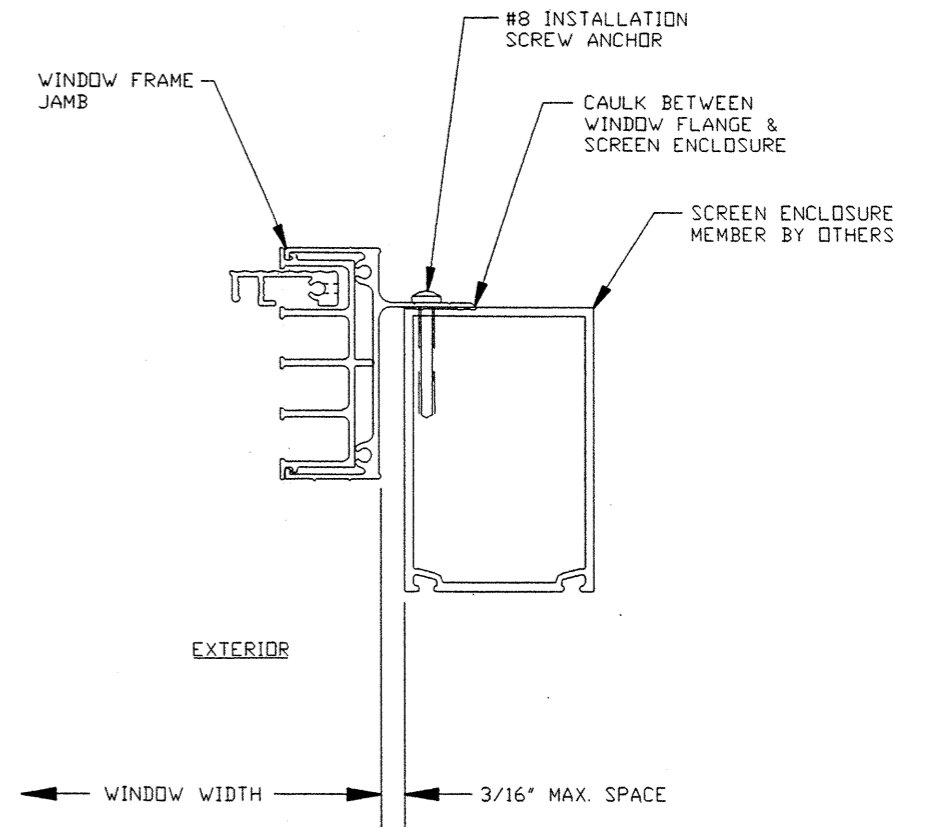
EXTERIOR



SECTION A-A



EXTERIOR ELEVATION



EXTERIOR

SECTION B-B

NOTES:

- 1) WINDOW FRAME MATERIAL ALUMINUM ALLOY 6063.
- 2) INSTALLATION ANCHORS, #8 SCREWS, MUST BE SPACED 6" MAX FROM CORNERS AND SPACED 24" O.C. MAX.
- 3) CAULK BEHIND WINDOW FLANGE WITH LATEX CAULK. APPLICATION OF LATEX CAULK MUST COMPLY WITH SEALANT MANUFACTURERS RECOMMENDATIONS.
- 4) WINDOW VENTS SHALL BE REMOVED WHEN WINDS EXCEED 75 MPH AS PER BUILDING CODE.

CUSTOM WINDOW SYSTEMS, INC.
OCALA, FLORIDA

TITLE: 4 TRACK VERTICAL VINYL SPRING I.S.M.
INSTALLATION DETAIL

ENGINEER: MANUEL MARTINEZ	DRN: BB	DATE: 3/08/02
DISCIPLINE: CIVIL	SCALE: N.T.S.	DWG. NO: CWS0123
FL. REG. NO: 47182	REV. LETTER:	SHEET: 1 OF 1