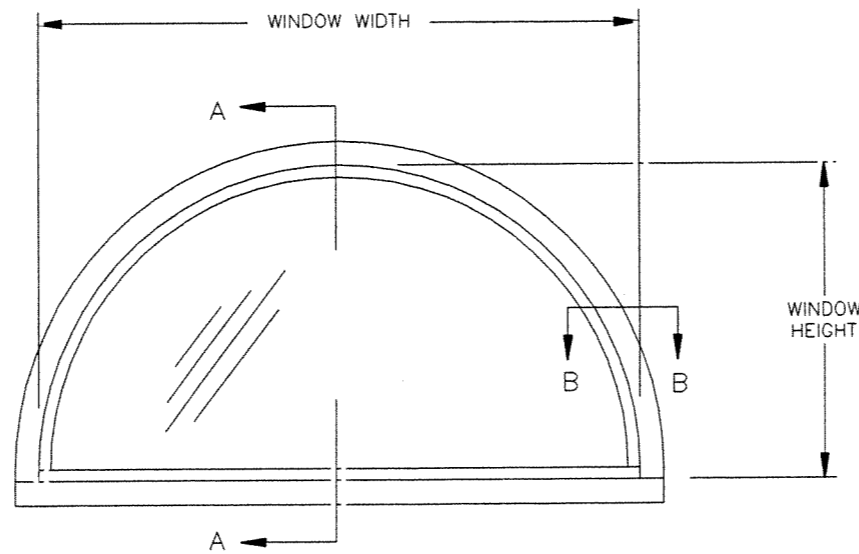


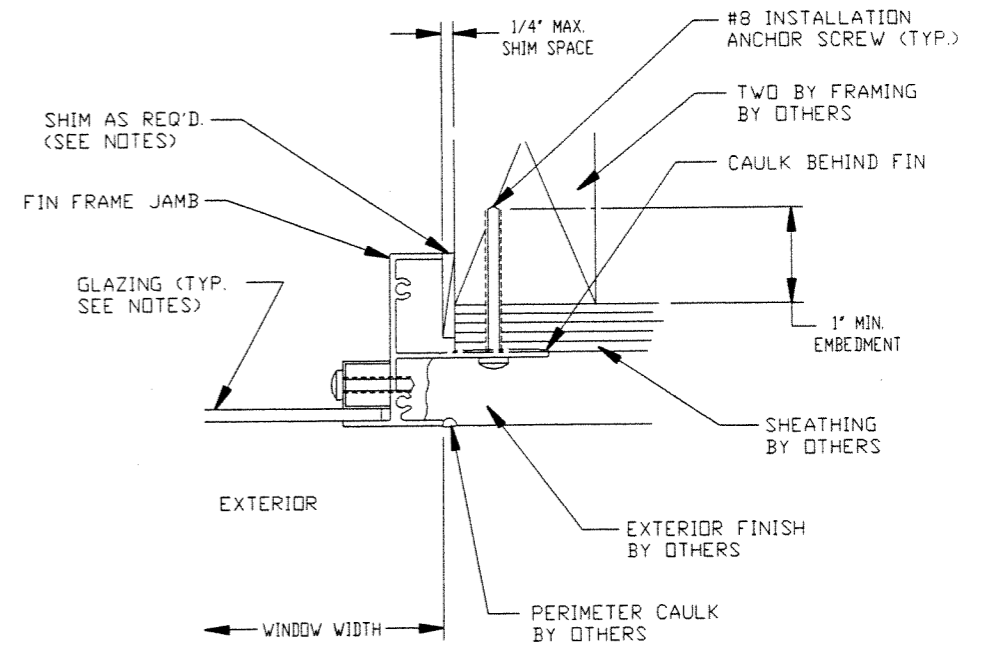
SECTION A-A

NOTES:

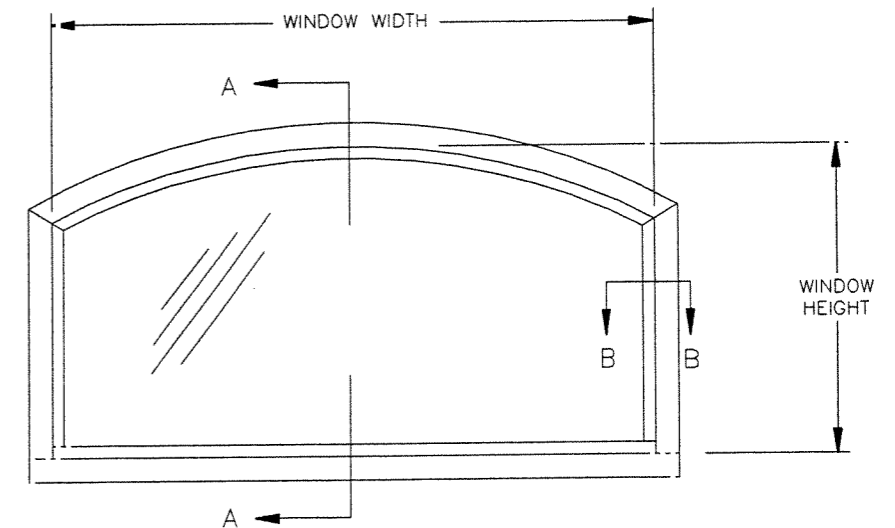
- 1) SHIM AS REQ'D. ADJACENT TO EACH INSTALLATION ANCHOR WITH LOAD BEARING SHIM. MAX. ALLOWABLE SHIM STACK TO BE 1/4".
- 2) WINDOW FRAME MATERIAL: ALUMINUM ALLOY 6063.
- 3) USE SILICONIZED ACRYLIC CAULK BEHIND WINDOW FIN AT HEAD, SILL & JAMBS.
- 4) USE SILICONIZED ACRYLIC CAULK FOR PERIMETER SEAL AROUND EXTERIOR OF WINDOW FRAME.
- 5) GLASS THICKNESS MAY VARY PER THE REQUIREMENTS OF ASTM E1300 GLASS CHARTS. SINGLE GLAZING IS SHOWN, INSULATING GLASS IS ALSO QUALIFIED.
- 6) SCREW ANCHORS AT HEAD, SILL & JAMBS SHOULD BE #8 SCREWS OF SUFFICIENT LTH. TO PROVIDE MIN. 1 IN. MIN. EMBEDMENT INTO WOOD FRAME. PLACE #8 SCREW ANCHORS 6" FROM CORNERS AND 24" O.C. MAX.
- 7) BUILD DOWN AROUND CURVED PORTION OF WINDOW FRAME TO BE ENGINEERED BY OTHERS. BUILD DOWN MUST BE OF SUFFICIENT STRENGTH TO ADEQUATELY TRANSFER LOAD FROM WINDOW TO THE STRUCTURE.
- 8) FLORIDA EXTRUDERS 1000 SERIES DESIGNER WINDOW SHOWN. THIS PRINT ALSO APPLIES TO FLORIDA EXTRUDERS 1750 SERIES & 2000 SERIES.
- 9) ELEVATIONS SHOW COMMON CONFIGURATIONS. IT IS NOT INTENDED TO LIMIT USE OF THIS PRODUCT TO THESE TWO CONFIGURATIONS. THIS SHEET APPLIES TO ALL CONFIGURATIONS THAT CAN BE MANUFACTURED FROM THE 1000, 1750, & 2000 SERIES DESIGNER FIXED WINDOW FRAMING SYSTEMS.
- 10) WINDOW UNIT CAN ALSO BE MULLION TO OTHER UNITS USING ALUMINUM TUBE MULLION. SEE MULLION INSTALLATION SHEETS FOR REQUIREMENTS.



EXTERIOR ELEVATION



SECTION B-B



EXTERIOR ELEVATION

CENTRAL FLORIDA B.O.A.F.
 MANUFACTURER NAME:
 MASTER FILE #

Wm...
 FEB 21 2002

FLORIDA EXTRUDERS INTERNATIONAL, INC
 SANFORD, FLORIDA

TITLE: FIN INSTALLATION DETAIL
 DESIGNER FIXED WINDOW 1000, 1750, & 2000 SERIES
 DRAWN BY: BB APPROVED BY:
 DATE: 02/14/02 SCALE: NTS DWG.: FLEX0037