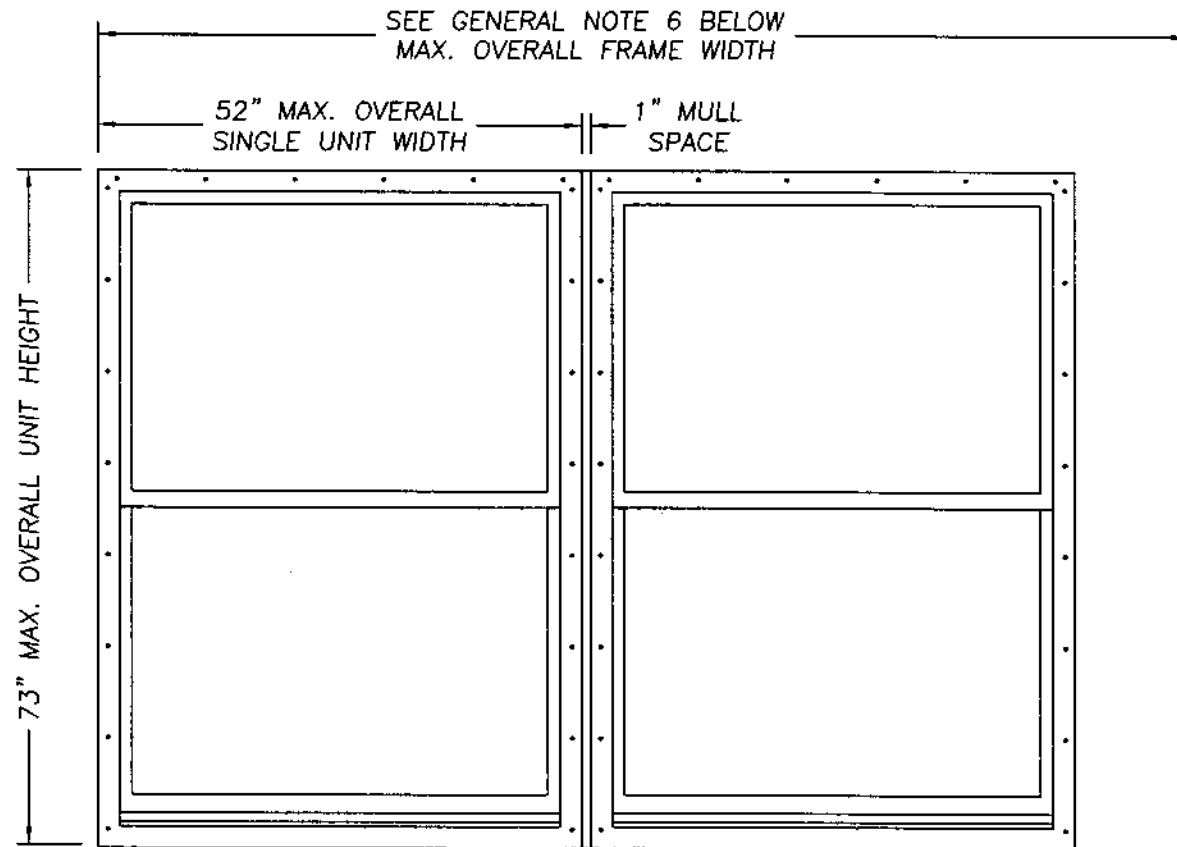


Silverline Building Products Corp.

SILVERLINE 2700 SERIES, MODEL 2760 NAILING FIN
MULLED SINGLE HUNG EXTRUDED VINYL WINDOW W/ALUMINUM MULLION



	OVERALL SINGLE UNIT WIDTH	52"	48"	44"	40"	36"
OVERALL UNIT HEIGHT						
73"		+35 -35	+37 -37	+38 -38	+41 -41	+43 -43
72"		+36 -36	+38 -38	+40 -40	+42 -42	+45 -45
68"		+42 -42	+44 -44	+46 -46	+48 -48	+51 -51
64"		+50 -50	+51 -51	+53 -53	+56 -56	+59 -59
62"		+54 -54	+56 -56	+58 -58	+60 -60	+60 -64

GENERAL NOTES

1. THIS PRODUCT IS DESIGNED TO COMPLY WITH THE FLORIDA BUILDING CODE.
2. PRODUCT ANCHORS SHALL BE AS LISTED AND SPACED AS SHOWN ON DETAILS.
3. WHEN THIS PRODUCT IS USED IN AN AREA REQUIRING WINDBORNE DEBRIS PROTECTION, FLORIDA BUILDING CODE APPROVED IMPACT RESISTANT SHUTTERS ARE REQUIRED.
4. WOOD STUD ANCHORING SEE SHEET 2 OF 3.
5. SEE SHEET 3 OF 3 FOR MULLION DETAILS.
6. DOUBLE UNIT SHOWN IN ELEVATION ABOVE. CAN BE CONFIGURED IN MULTIPLE UNITS. SINGLE UNIT WIDTH CAN NOT EXCEED 52" x 73" IN ANY CONFIGURATION.
7. DESIGN PRESSURE CAN NOT EXCEED +60 (LIMITED BY THE SINGLE UNIT WATER TEST).

PRODUCT DESCRIPTION

1. VINYL SINGLE HUNG WINDOW WITH MITERED AND WELDED CORNERS.
2. THE HEAD AND SIDE JAMBS ARE EXTRUDED VINYL WITH AN EXTERIOR WALL THICKNESS OF 0.070" +/- 0.008".
3. ALL ACTIVE SASH MEMBERS REINFORCED WITH SOLID ALUMINUM BAR STOCK.
4. THE FIXED MEETING RAIL UTILIZES A ROLLED FORMED STEEL REINFORCEMENT.
5. ALL FRAME MEMBERS HAVE AN INTEGRAL NAILING FIN.
5. ALL UNITS USE SILVERLINE MULLION #2711 AND #2712 MULLION COVER. BOTH THE MULLION AND MULLION COVER ARE EXTRUDED 6063-T6 ALUMINUM.
6. USE SILVERLINE ANCHORING PLATE #2713 0.063" ALUMINUM, (2) PER MULLION.



Lyndon F. Schmidt

Florida P. E. No. 43409
19506 French Lace Drive Lutz, FL 33558

Silverline Building Products Corp.
One Silverline Drive
North Brunswick, NJ 08902
PH. 732.435.1000

PRODUCT: SILVERLINE 2760 MULLED VINYL SINGLE HUNG WINDOW W/ NAILING FIN W/ALUM. MULL
PART OR ASSEMBLY:
TYPICAL ELEVATION, DESIGN PRESSURES & GENERAL NOTES

NO.	DATE	BY	REVISIONS

RW BUILDING CONSULTANTS, INC.
813.659.9197

DATE: 08/14/02

SCALE: N.T.S.

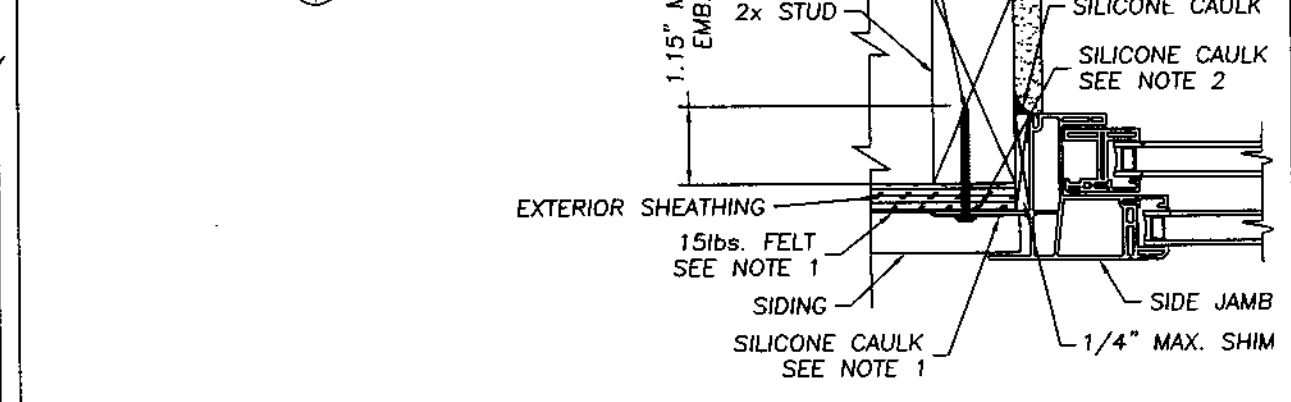
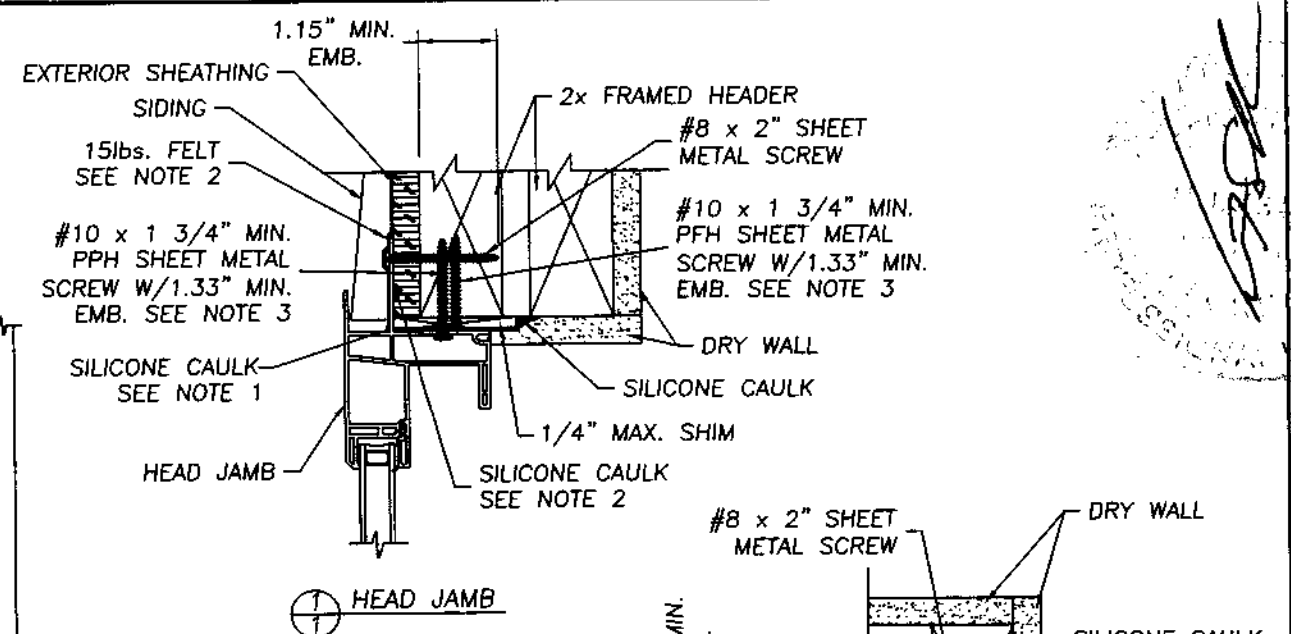
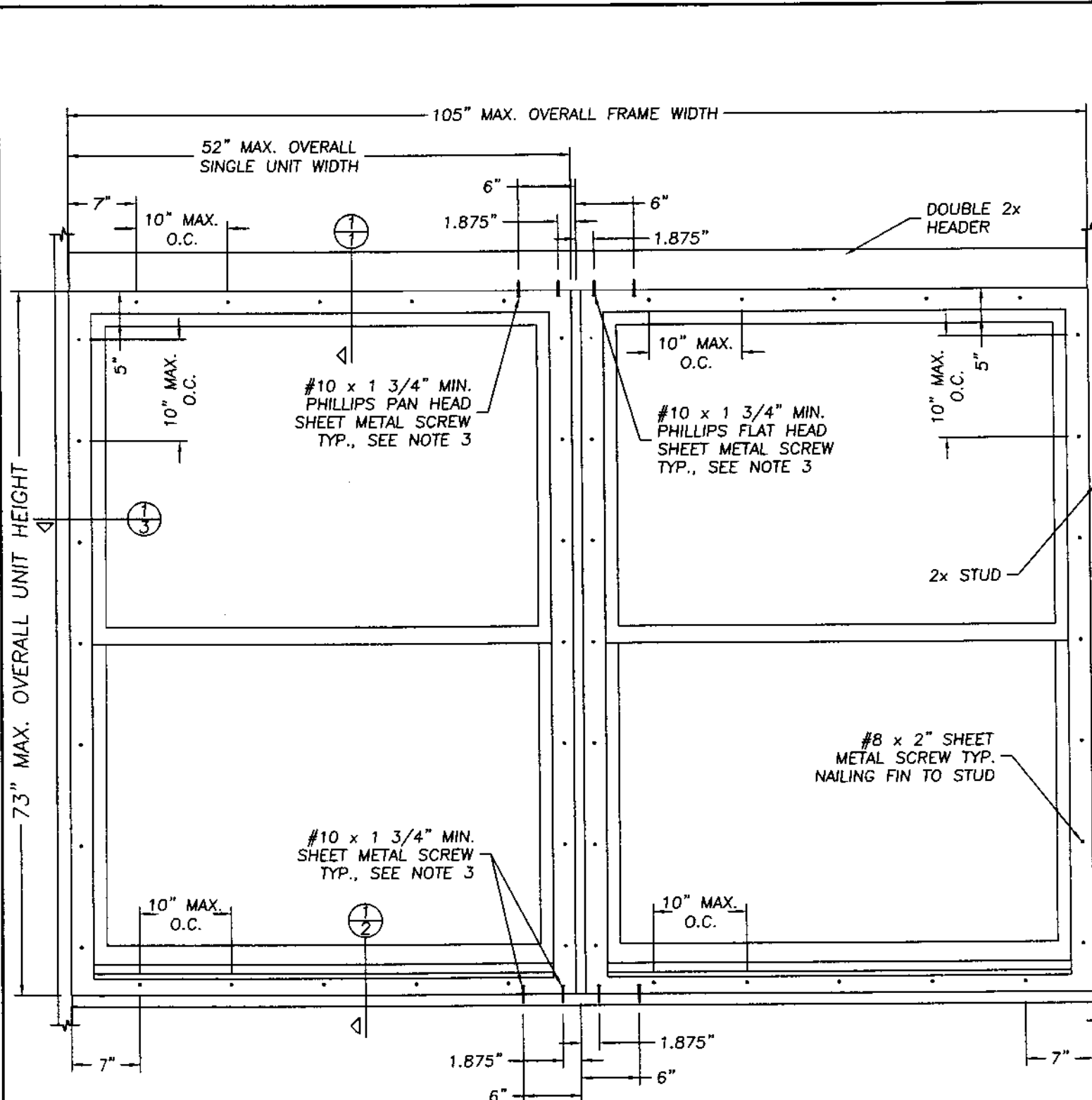
DWG. BY: TJH

CHK. BY: RW

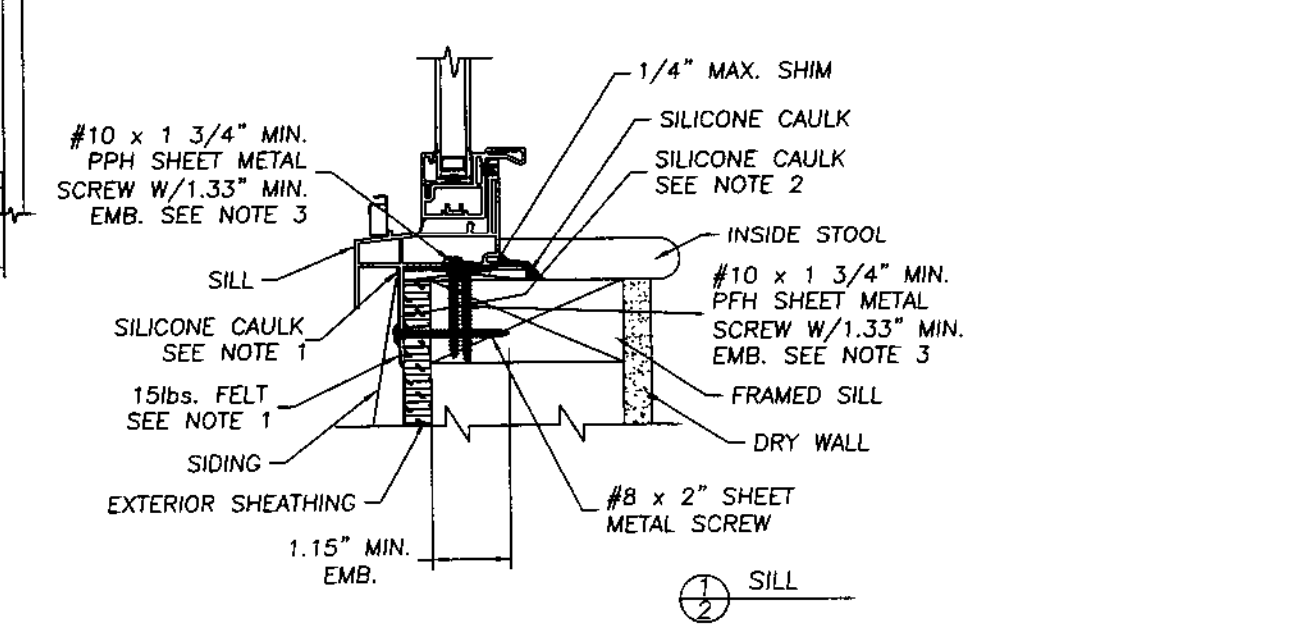
DRAWING NO.:

SL-416-OC

SHEET 1 OF 3



APPLY A GENEROUS BEAD OF COMMERCIAL GRADE CONSTRUCTION ADHESIVE TO BOTH THE BACK OF THE FLANGE AND THE MAIN BODY OF THE WINDOW FRAME AROUND THE FULL PERIMETER AS SHOWN.



- NOTE:**
- 15 lbs. felt must be used as a water barrier. The felt must cover the nailing fin and anchor screw heads. All loose edges of the felt paper must be sealed with silicone caulk.
 - The full perimeter of the window nailing fin must have a heavy bead of caulk applied to the building side before the window is placed in the opening.
 - The anchor 1.875" from the frame c-line is through the mounting bracket. The anchor 6" from the frame c-line is through the window frame.
 - 52" is the maximum single unit width in the mulled application.

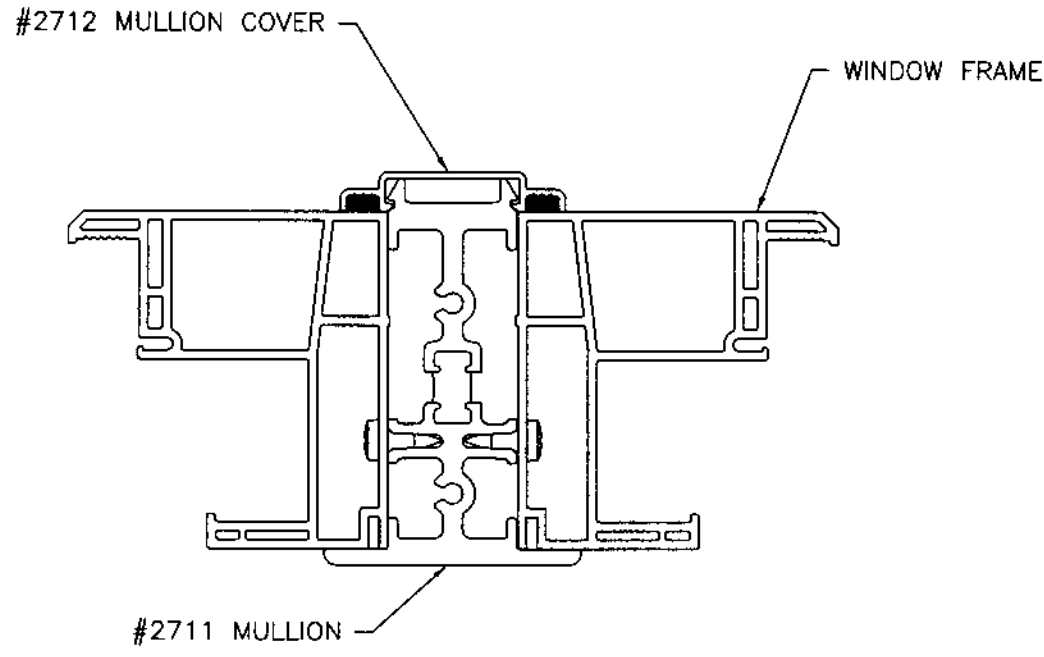
September 20, 2002
 Lyndon F. Schmidt
 Florida P. E. No. 43409
 19506 French Lace Drive
 Lutz, FL 33558

Silverline Building Products Corp.
 One Silverline Drive
 North Brunswick, NJ 08902
 PH. 732.435.1000

ANCHORING CROSS SECTIONS
 FOR 2X STUD CONSTRUCTION
 MODEL 2760 VINYL SINGLE
 HUNG WINDOW W/ NAILING FIN

RW BUILDING
 CONSULTANTS, INC.
 813.659.9197

DATE: 08/14/02
 SCALE: N.T.S.
 DWG. BY: TJH
 CHK. BY: RW
 DRAWING NO.:
 SL-416-0C
 SHEET 2 OF 3



MULLION ASSEMBLY VIEW

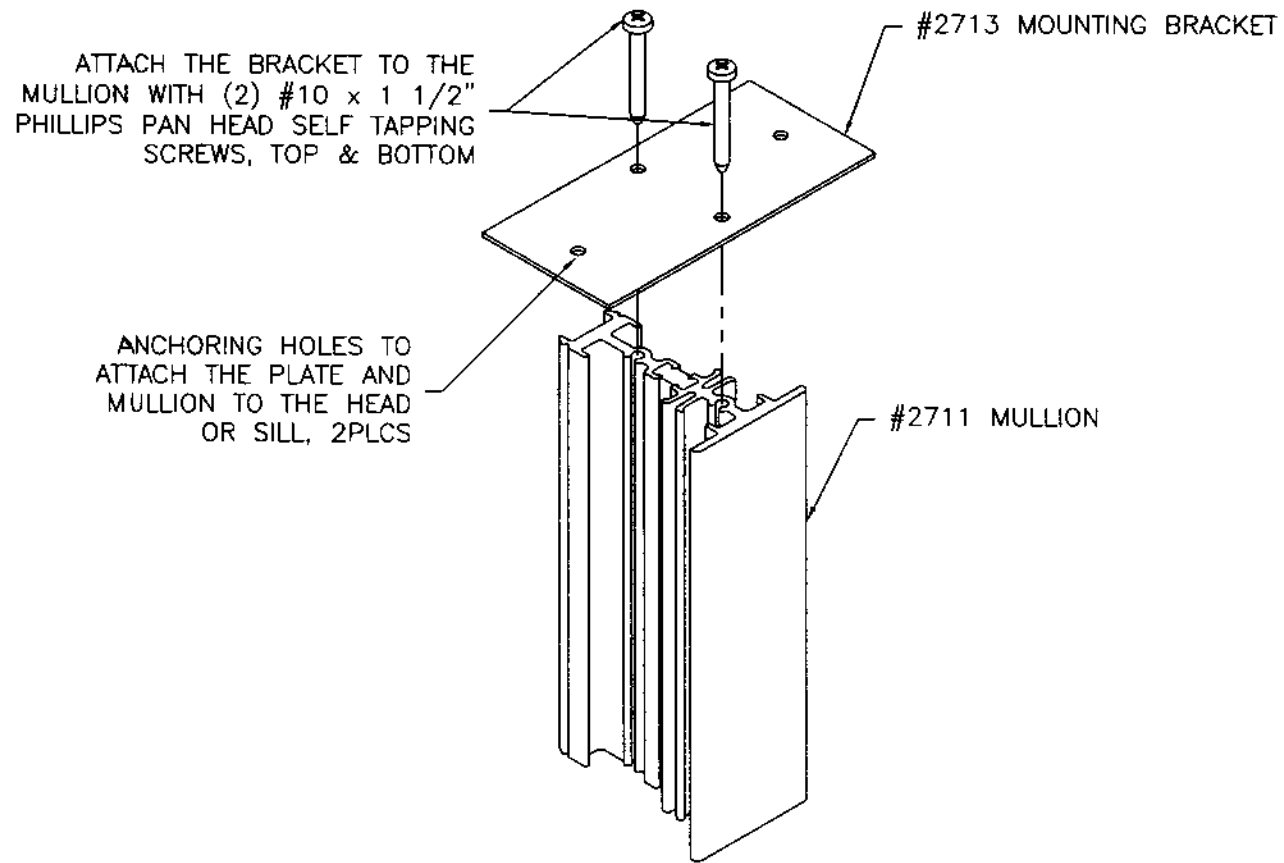
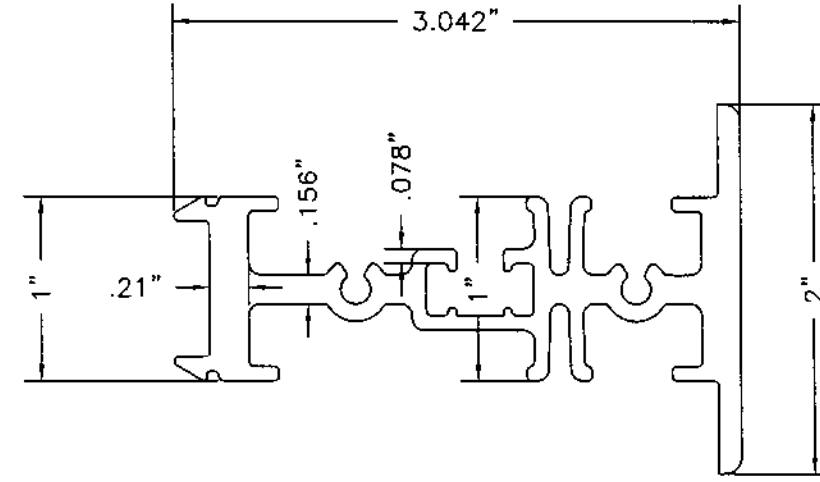
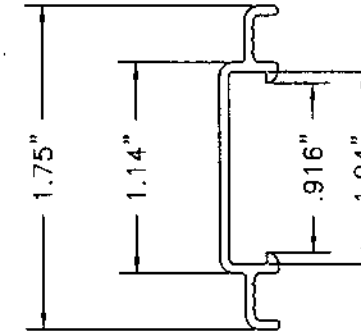


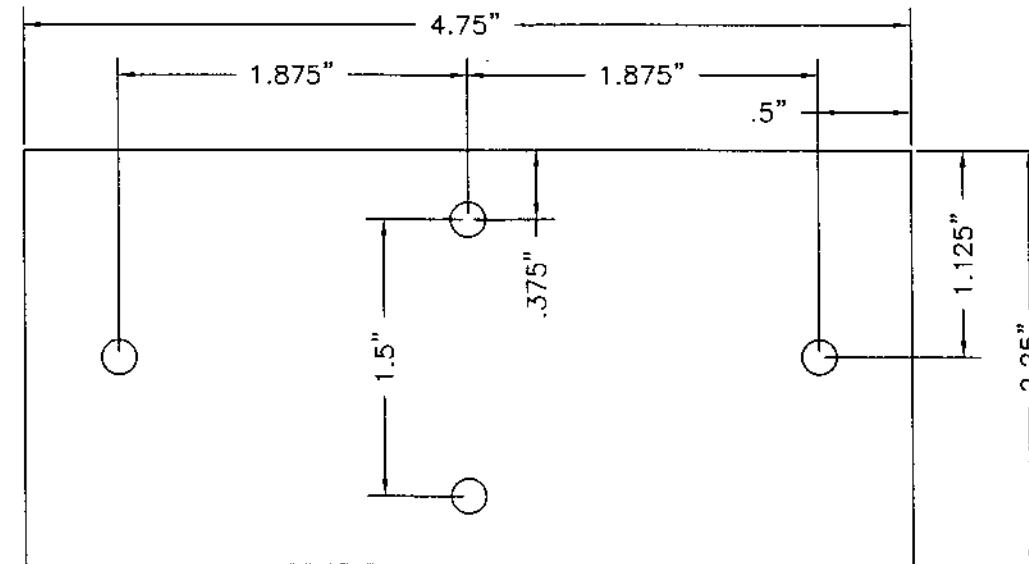
PLATE TO MULLION ATTACHMENT DETAIL



SILVERLINE MULLION #2711
EXTRUDED ALUMINUM 6063-T6



SILVERLINE MULLION COVER #2712
EXTRUDED ALUMINUM 6063-T6



SILVERLINE MULLION MOUNTING BRACKET #2713
EXTRUDED ALUMINUM 6063-T6 0.063" THK.



September 20, 2002
Lyndon F. Schmidt
Florida P. E. No. 43409
19506 French Lace Drive
Lutz, FL 33558

Silverline Building Products Corp.
One Silverline Drive
North Brunswick, NJ 08902
PH. 732.435.1000

MODEL 2760 MULLED VINYL
SINGLE HUNG WINDOW
W/NAILING FIN
MULL DETAILS AND ASSEMBLY

RW BUILDING
CONSULTANTS, INC.
813.659.9197

DATE: 08/14/02
SCALE: N.T.S.
DWG. BY: THJ
CHK. BY: RW
DRAWING NO.:
SL-416-OC
SHEET 3 OF 3