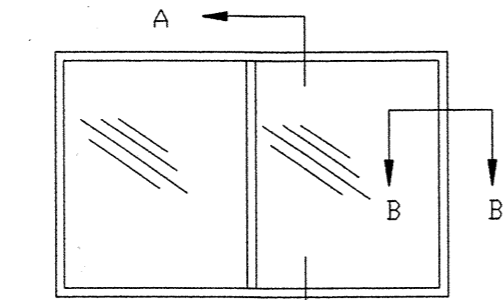


ANCHOR CAPACITY CHART
OX, XO, XX

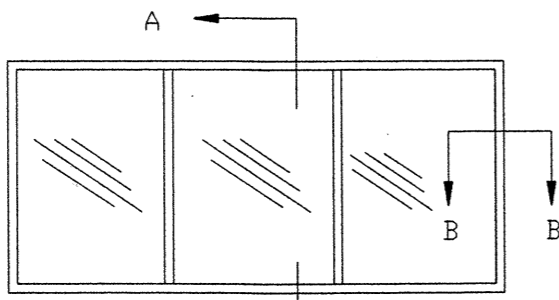
WINDOW SIZE IN INCHES	QUANTITY OF #8 SCREW ANCHORS	
	HEAD/SILL	@ EA. JAMB
23 X 23	1	1
23 X 29	1	1
23 X 35	1	2
23 X 41	1	2
23 X 47	1	2
23 X 53	1	2
23 X 59	1	3
23 X 65	1	3
23 X 71	1	3
29 X 23	1	1
29 X 29	1	1
29 X 35	1	2
29 X 41	1	2
29 X 47	1	2
29 X 53	1	2
29 X 59	1	3
29 X 65	1	3
29 X 71	1	3
35 X 23	2	1
35 X 29	2	1
35 X 35	2	2
35 X 41	2	2
35 X 47	2	2
35 X 53	2	3
35 X 59	2	3
35 X 65	2	3
35 X 71	2	3
41 X 23	2	1
41 X 29	2	1
41 X 35	2	2
41 X 41	2	2
41 X 47	2	2
41 X 53	2	3
41 X 59	2	3
41 X 65	2	3
41 X 71	2	3
47 X 23	2	1
47 X 29	2	2
47 X 35	2	2
47 X 41	2	2
47 X 47	2	2
47 X 53	2	3
47 X 59	2	3
47 X 65	2	3
47 X 71	2	3
53 X 23	2	1
53 X 29	2	1
53 X 35	2	2
53 X 41	2	2
53 X 47	2	2
53 X 53	2	3
53 X 59	2	3
53 X 65	2	3
53 X 71	2	3
59 X 23	3	1
59 X 29	3	1
59 X 35	3	2
59 X 41	3	2
59 X 47	3	2
59 X 53	3	2
59 X 59	3	3
59 X 65	3	3
59 X 71	3	3
71 X 23	3	1
71 X 29	3	1
71 X 35	3	2
71 X 41	3	2
71 X 47	3	2
71 X 53	3	2
71 X 59	3	3
71 X 65	3	3
71 X 71	3	3

ANCHOR CAPACITY CHART
XOX

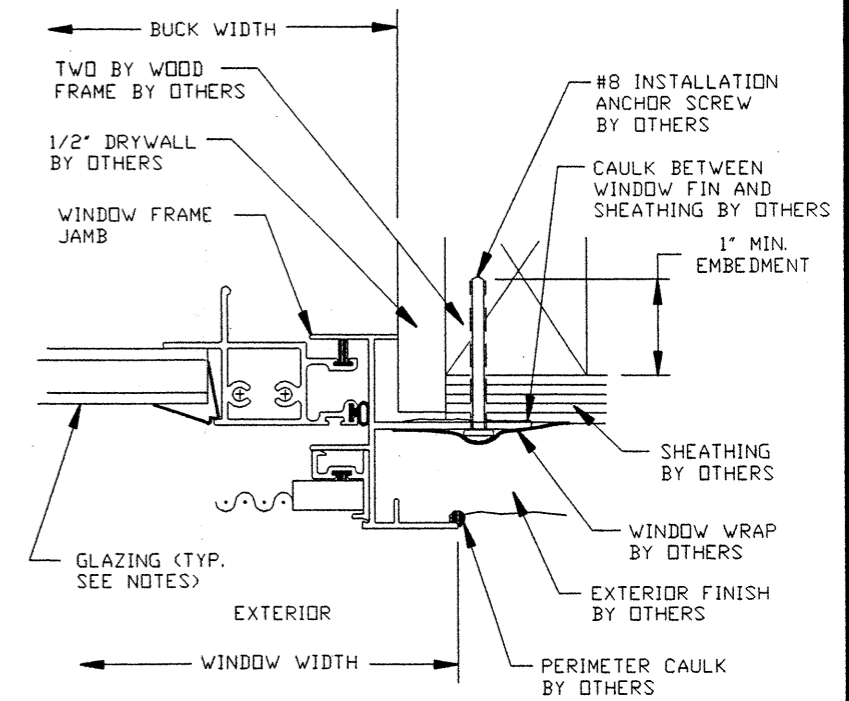
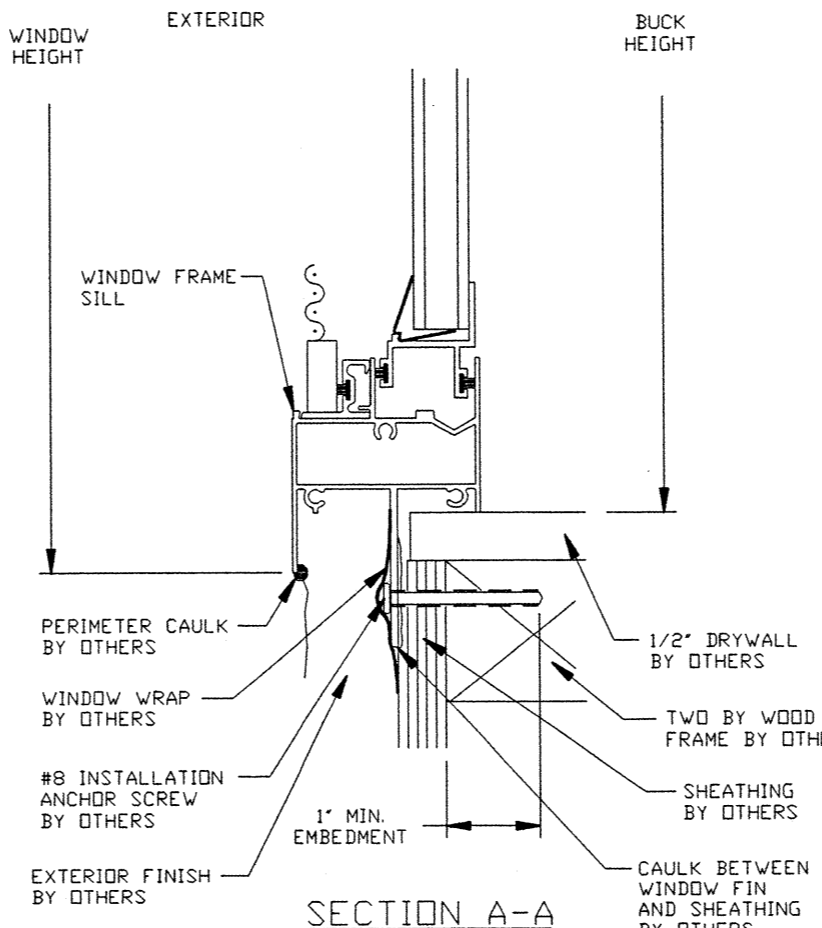
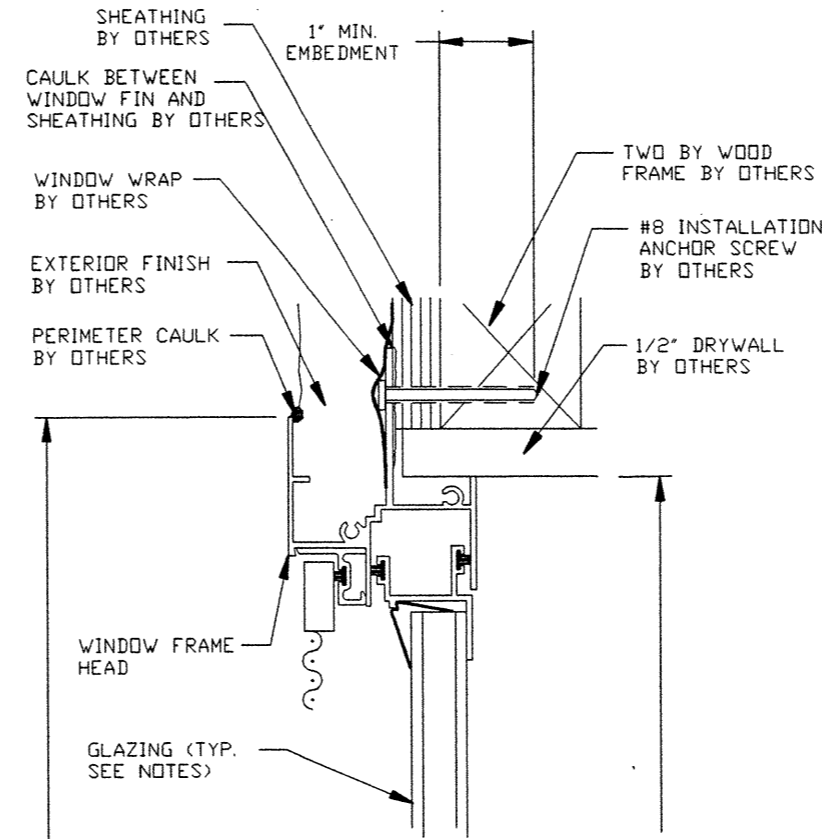
WINDOW SIZE IN INCHES	QUANTITY OF #8 SCREW ANCHORS	
	HEAD/SILL	@ EA. JAMB
47 X 23	2	2
47 X 35	2	2
47 X 47	2	2
47 X 59	2	3
59 X 23	3	2
59 X 35	3	2
59 X 47	3	2
59 X 59	3	2
71 X 23	3	2
71 X 35	3	2
71 X 47	3	2
71 X 59	3	3
83 X 23	4	2
83 X 35	4	2
83 X 47	4	2
83 X 59	4	3
95 X 23	4	2
95 X 35	4	2
95 X 47	4	3
95 X 59	4	3
107 X 23	5	2
107 X 35	5	2
107 X 47	5	2
107 X 59	5	3
119 X 23	5	2
119 X 35	5	2
119 X 47	5	2
119 X 59	5	3



EXTERIOR ELEVATION
OX, XO, XX



EXTERIOR ELEVATION
XOX



SECTION B-B

- NOTES:**
- 1) WINDOW FRAME MATERIAL: ALUMINUM ALLOY 6063.
 - 2) #8 INSTALLATION ANCHOR SCREWS MUST BE OF SUFFICIENT LENGTH TO ACHIEVE MIN. EMBEDMENT OF 1" INTO WOOD FRAME MEMBER.
 - 3) CAULK BEHIND WINDOW FIN WITH LATEX CAULK. APPLICATION OF LATEX CAULK MUST COMPLY WITH SEALANT MANUFACTURERS RECOMMENDATIONS.
 - 4) USE LATEX CAULK FOR PERIMETER SEAL AROUND EXTERIOR OF WINDOW FLANGE.
 - 5) IF EXACT WINDOW SIZE IS NOT LISTED IN ANCHOR CHART, USE ANCHOR QUANTITY LISTED WITH NEXT LARGER SIZE, FOR THE APPROPRIATE DESIGN PRESSURE REQUIRED.
 - 6) GLASS THICKNESS MAY VARY PER THE REQUIREMENTS OF ASTM E1300 GLASS CHARTS. INSULATING GLASS IS SHOWN. SINGLE GLAZING ALSO QUALIFIED.
 - 7) FACTORY PUNCHED HOLES IN FIN JAMB DO NOT REQUIRE INSTALLATION SCREWS. IF APPLICABLE, INSTALLATION ANCHORS ARE ONLY REQUIRED THRU FIN AS SHOWN ON THIS SHEET.
 - 8) INSTALLATION AS STATED HEREIN COMPLIES WITH THE FLORIDA BUILDING CODE.

CUSTOM WINDOW SYSTEMS, INC.
OCALA, FLORIDA

TITLE: SERIES 7000 ALUMINUM FIN HORIZONTAL SLIDER OX / XX / OXD INSTALLATION DRAWING		
ENGINEER: MANUEL MARTINEZ	DRN: BB	DATE: 2/7/02
DISCIPLINE: CIVIL	SCALE: N.T.S.	DWG. NO: CWS0110
FL. REG. NO: 47182	REV. LETTER:	SHEET: 1 OF 1