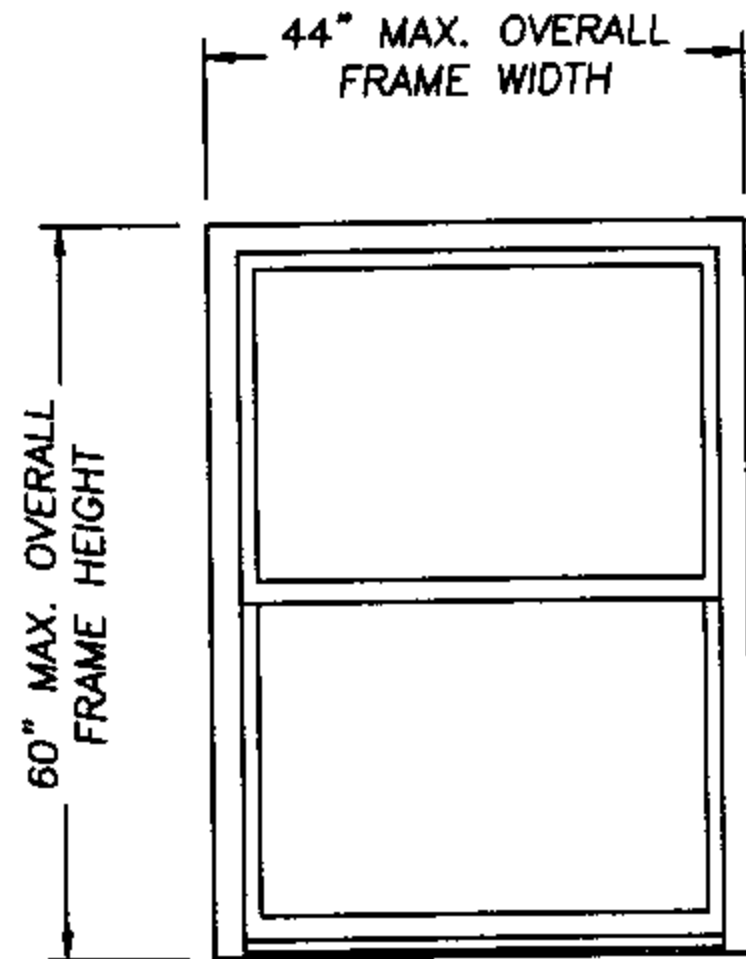


American Craftsman

SERIES 8500 / 9500
 EXTRUDED VINYL TILT DOUBLE HUNG WINDOWS
 (Mfg. By Silverline Building Products)

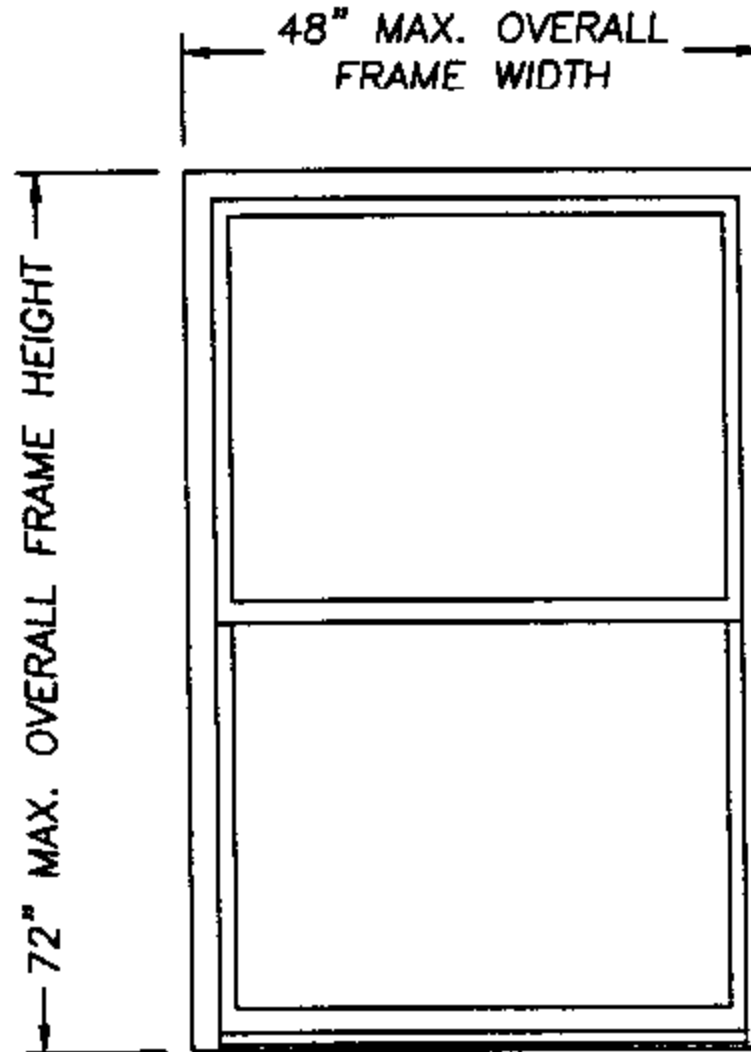


X
X

DESIGN PRESSURE RATING
POS. 45.0 NEG. 45.0
GLASS TABLE
15/16" INSULATED GLASS
1/8" ANN. - AIR SPACE - 1/8" ANN.

GENERAL NOTES

1. THIS PRODUCT IS DESIGNED TO COMPLY WITH THE FLORIDA BUILDING CODE.
2. PRODUCT ANCHORS SHALL BE AS LISTED AND SPACED AS SHOWN ON DETAILS.
3. WHEN THIS PRODUCT IS USED IN AN AREA REQUIRING WINDBORNE DEBRIS PROTECTION, FLORIDA BUILDING CODE APPROVED IMPACT RESISTANT SHUTTERS ARE NOT REQUIRED.
4. MASONRY ANCHORING FOR 1x BUCK SEE SHEET 2 OF 3.
5. MASONRY ANCHORING FOR 2x BUCK SEE SHEET 3 OF 3.

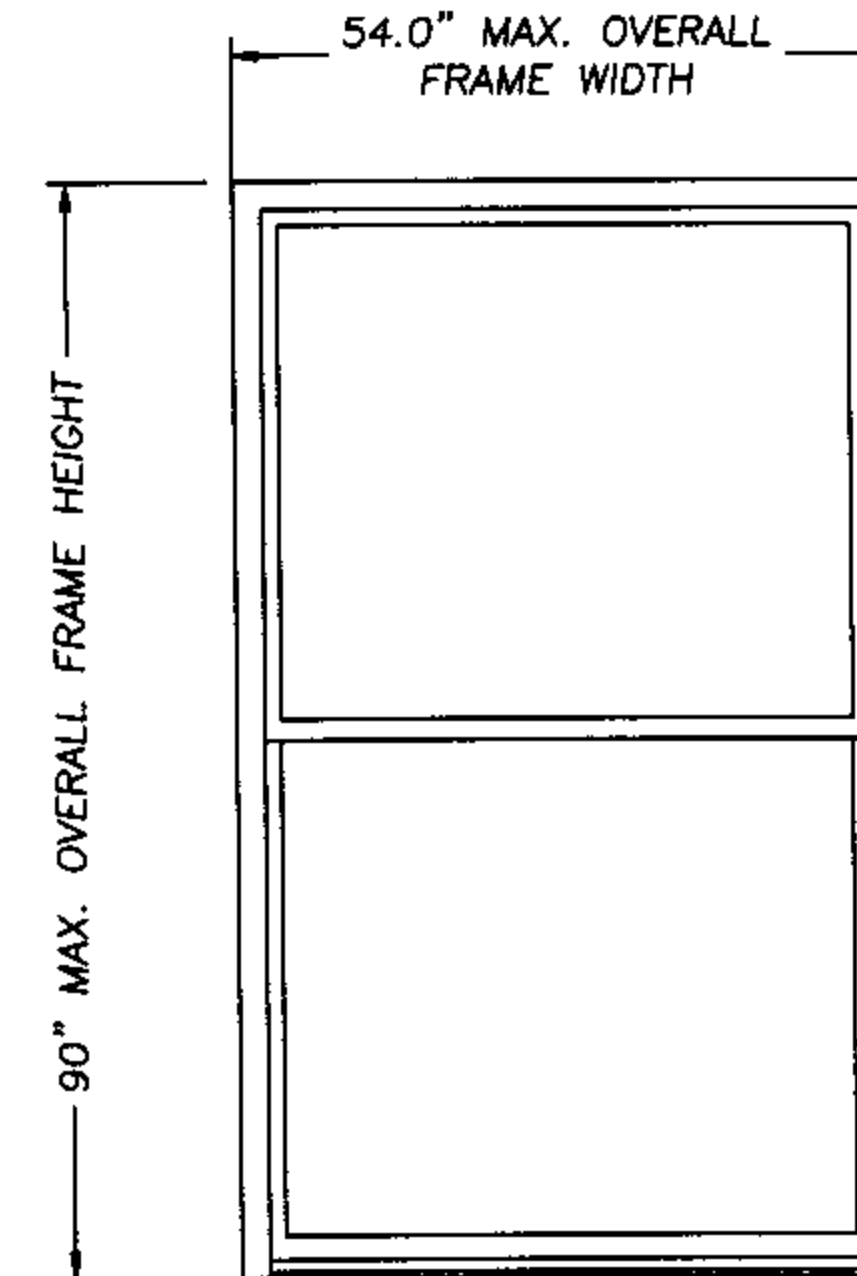


X
X

DESIGN PRESSURE RATING
POS. 40.0 NEG. 40.0
GLASS TABLE
7/8" INSULATED GLASS
1/8" ANN. - AIR SPACE - 1/8" ANN.

PRODUCT DESCRIPTION

1. VINYL TILT DOUBLE HUNG WINDOW WITH MITERED AND WELDED CORNERS.
2. THE HEAD AND SIDE JAMBS ARE EXTRUDED VINYL WITH AN EXTERIOR WALL THICKNESS OF 0.070" +/- 0.008".
3. ALL ACTIVE SASH MEMBERS REINFORCED WITH SOLID ALUMINUM BAR STOCK.
4. THE FIXED MEETING RAIL UTILIZES A ROLLED FORMED STEEL REINFORCEMENT.



X
X

DESIGN PRESSURE RATING
POS. 30.0 NEG. 30.0
GLASS TABLE
7/8" INSULATED GLASS
1/8" ANN. - AIR SPACE - 1/8" ANN.

Lyndon F. Schmidt
 Lyndon F. Schmidt
 Florida P. E. No. 43409
 19506 French Lace Drive Lutz, FL 33558

JULY 23, 2002

19506 French Lace Drive Lutz, FL 33558

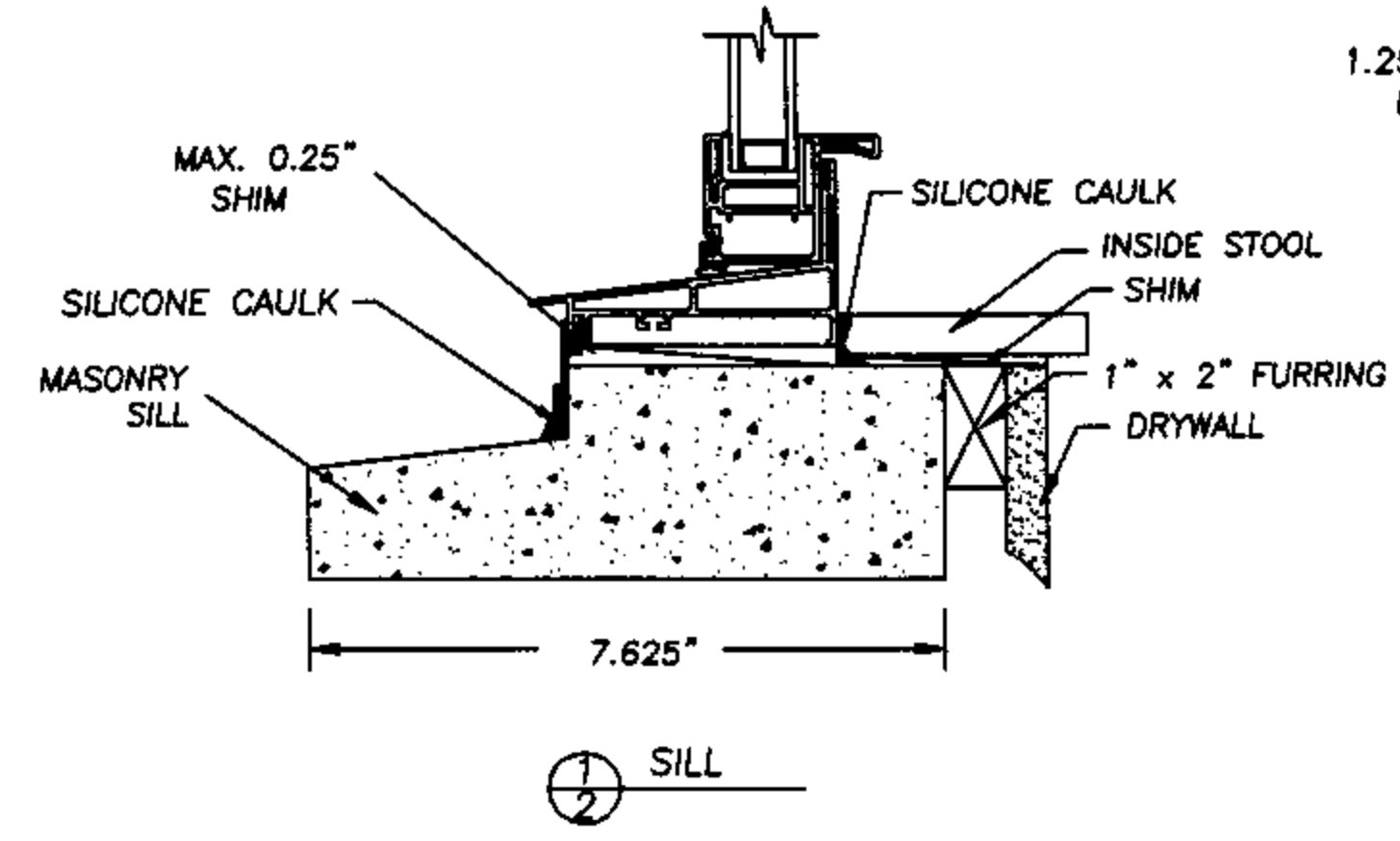
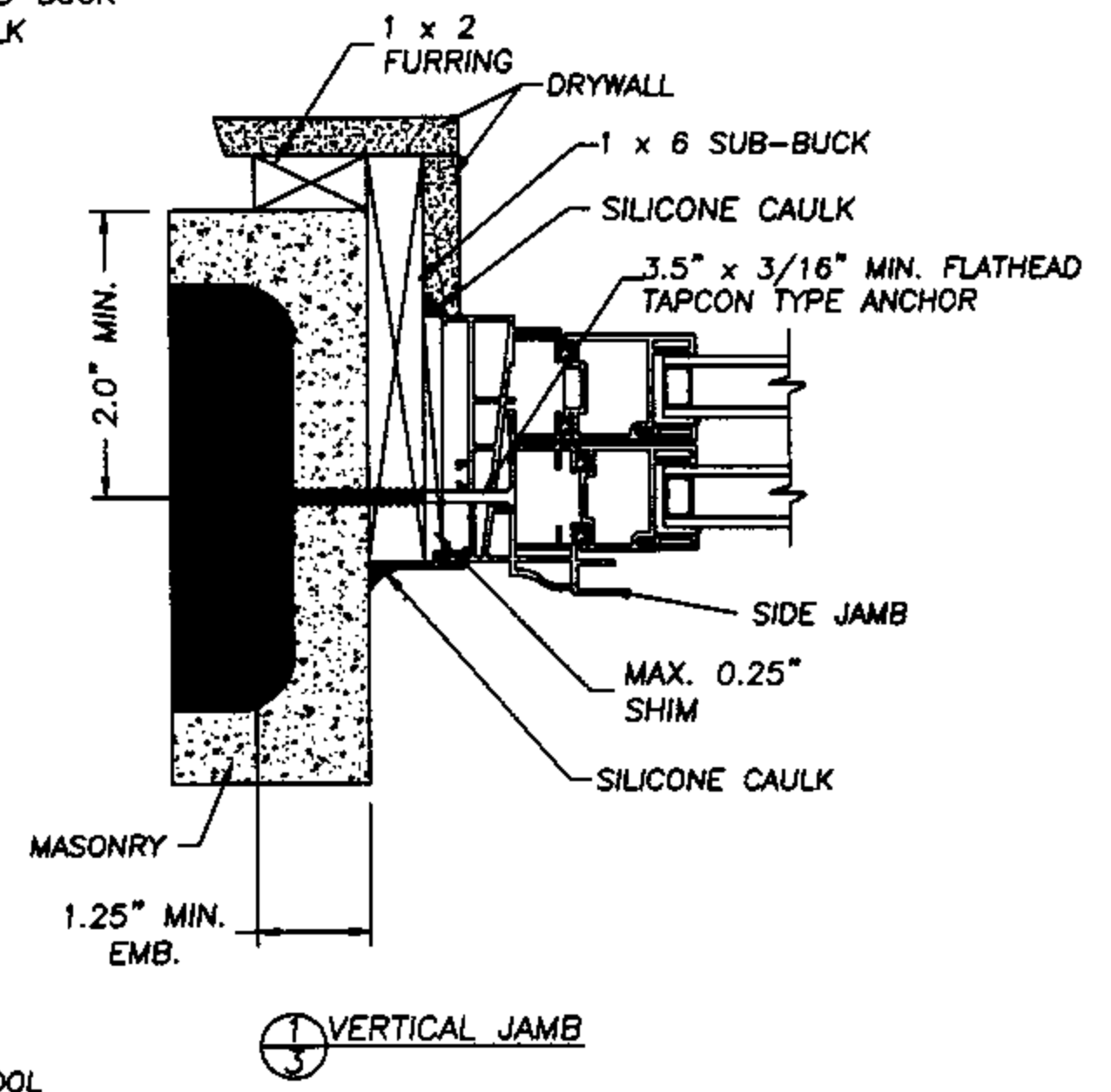
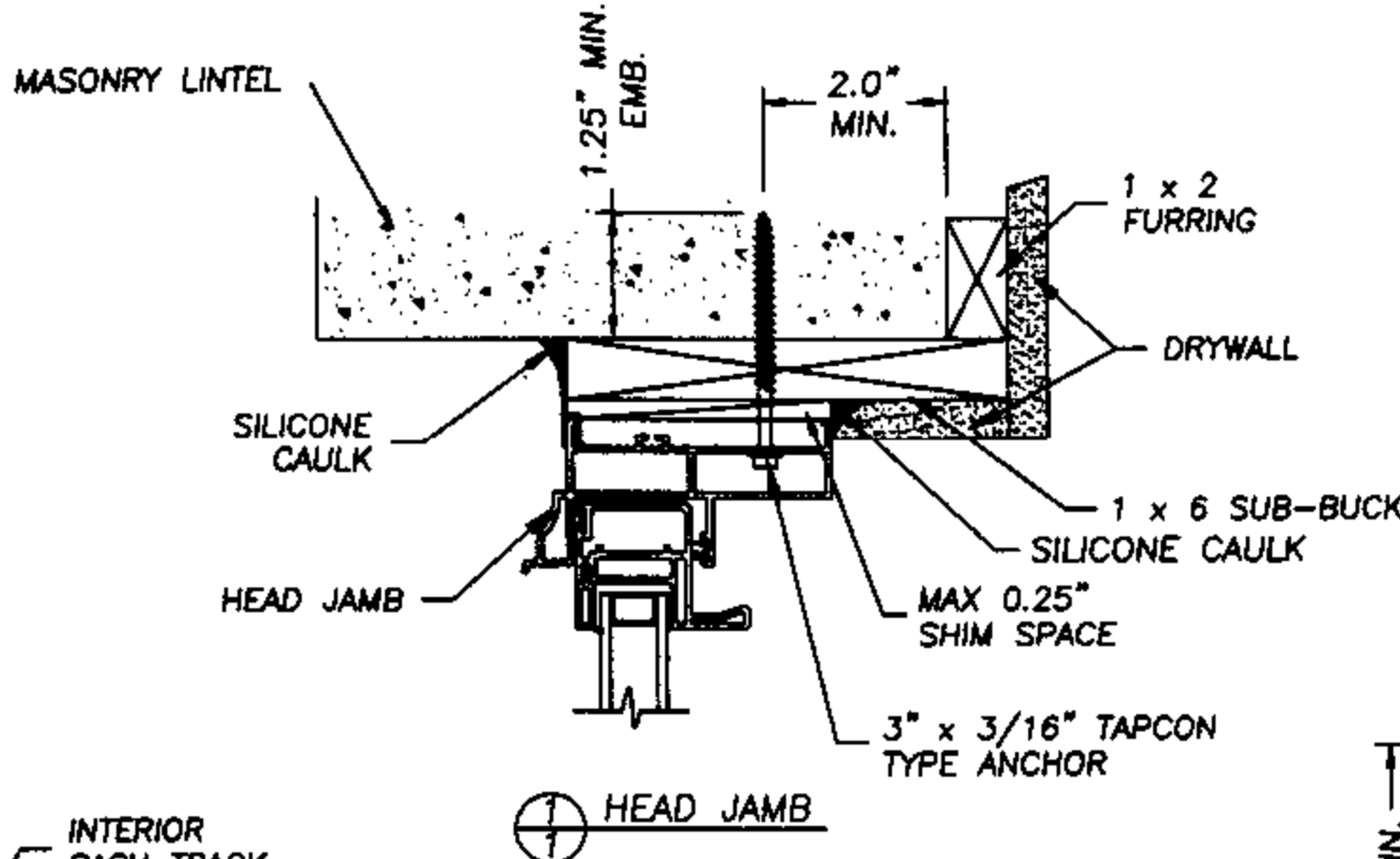
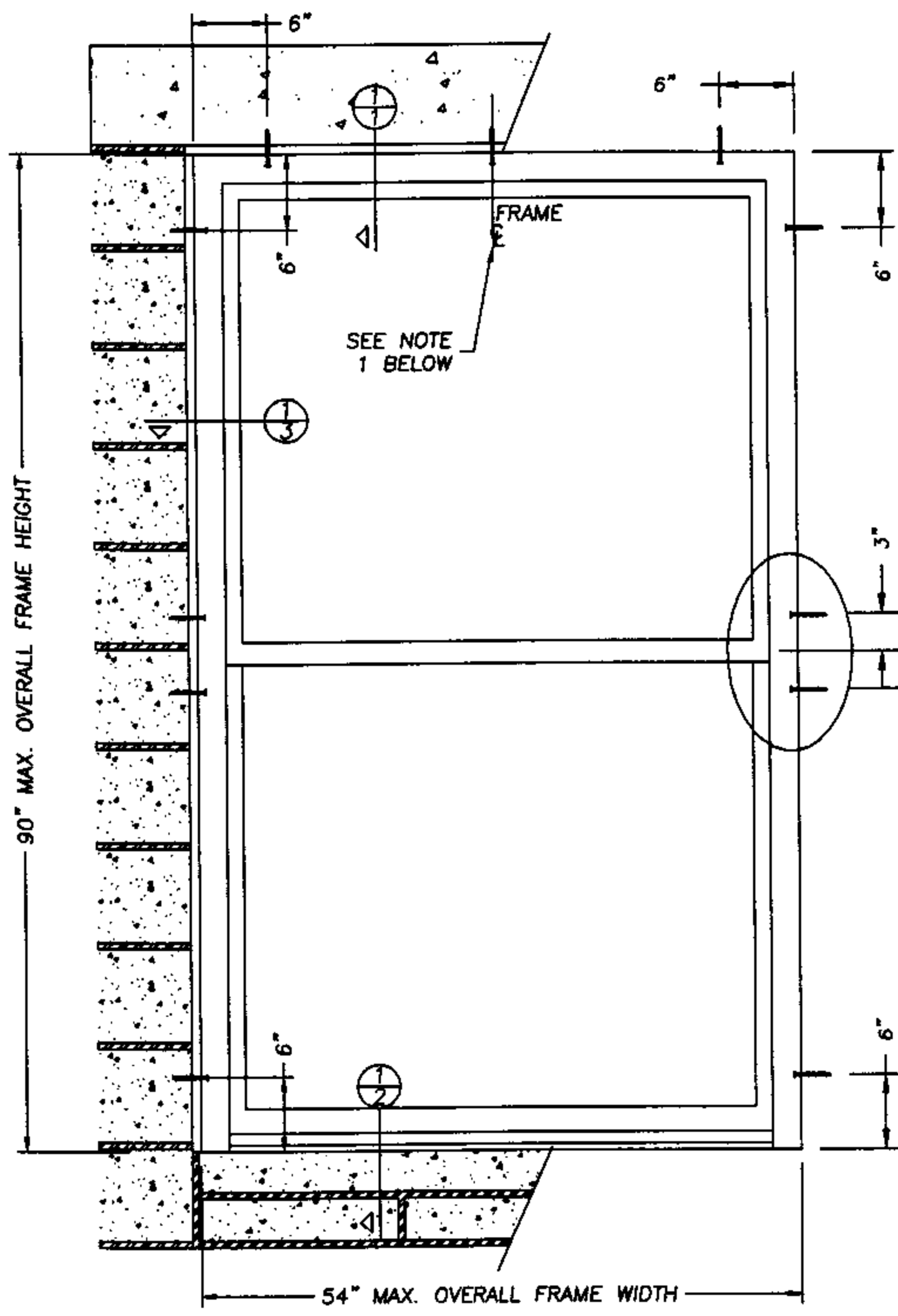
American Craftsman Windows
 P. O. Box 6029
 North Brunswick, NJ 08902
 PH. 800 299-9501

PRODUCT: AMERICAN CRAFTSMAN
 EXTRUDED VINYL
 TILT DOUBLE HUNG WINDOW
 PART OR ASSEMBLY:
 GENERAL NOTES &
 TYPICAL ELEVATIONS

NO.	DATE	BY	REVISIONS

RW BUILDING
 CONSULTANTS, INC.
 813.659.9197

DATE: 6/14/02
 SCALE: N.T.S.
 DWG. BY: WLN
 CHK. BY: RW
 DRAWING NO.:
 AC-408-OC
 SHEET 1 OF 3



- NOTE:**
1. When installing a window that is 36" or less in width, eliminate the installation of screw at head centerline.
 2. Wall dressing at exterior flanges By Others.
 3. Adjust Tapcon anchor locations, if necessary, to maintain a minimum 2.0" clearance from mortar joints.

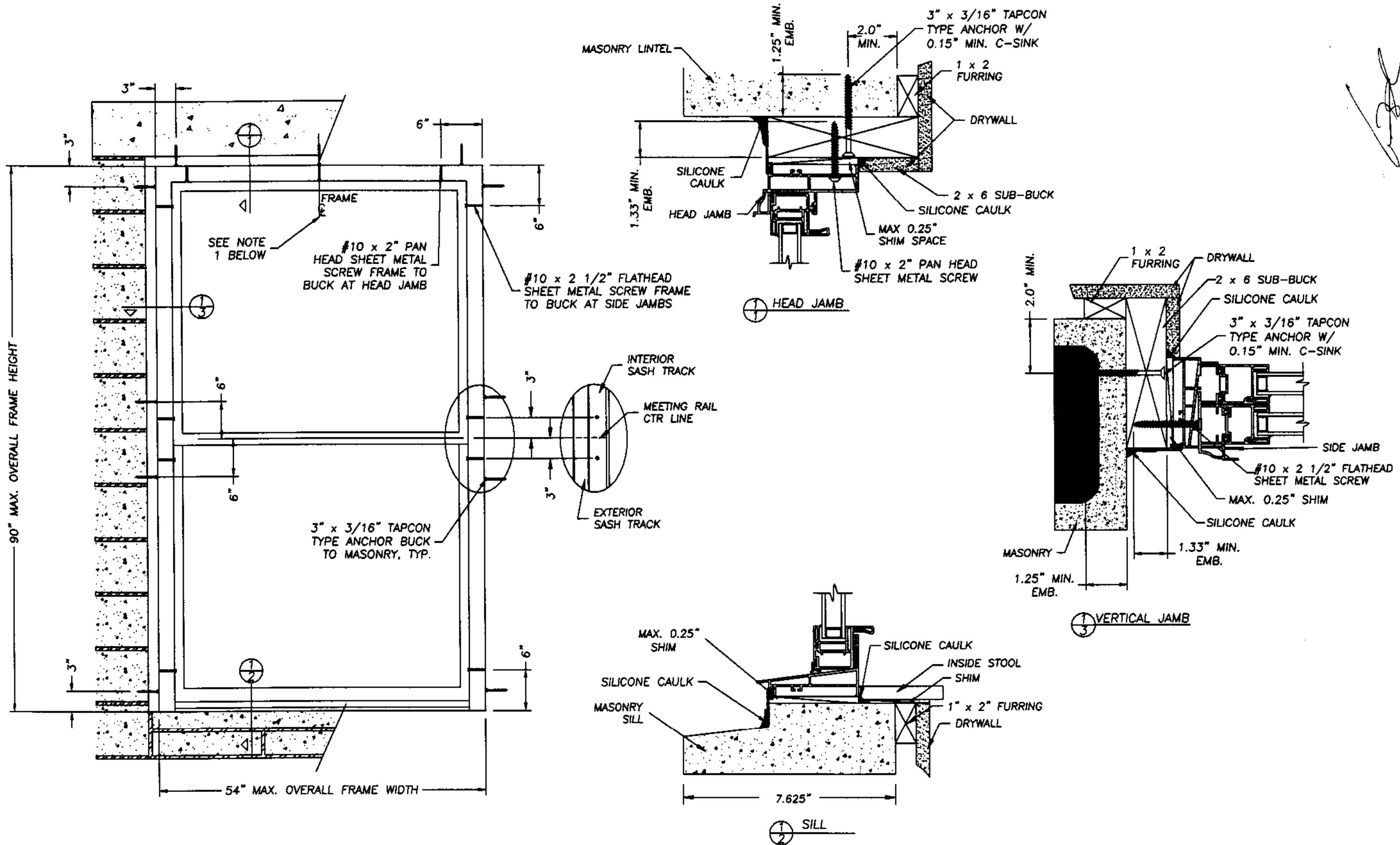
JULY 23, 2002
 Lyndon F. Schmidt
 Florida P. E. No. 43409
 19506 French Lace Drive
 Lutz, FL 33558

American Craftsman Windows
 P O Box 6029
 North Brunswick, NJ 08902
 PH. 800 299-9501

ANCHORING CROSS SECTIONS
 FOR 1X BUCK TO MASONRY
 SERIES 8500/9500 VINYL
 DOUBLE HUNG WINDOW

RW BUILDING
 CONSULTANTS, INC.
 813.659.9197

DATE: 6/14/02
 SCALE: N.T.S.
 DWG. BY: WLN
 CHK. BY: R.W.
 DRAWING NO.:
 AC-408-OC
 SHEET 2 OF 3



NOTE:

1. When installing a window that is 36" or less in width, eliminate the installation of screw and Tapcon at head centerline.
2. Wall dressing at exterior flanges By Others.
3. Adjust Tapcon anchor locations, if necessary, to maintain a minimum 2.0" clearance from mortar joints.

JUNE 18, 2002

Lyndon F. Schmidt
 Florida P. E. No. 43409
 19506 French Lace Drive
 Lutz, FL 33558

American Craftsman Windows

P O Box 6029
 North Brunswick, NJ 08902
 PH. 800 299-9501

ANCHORING CROSS SECTIONS
 FOR 2X BUCK TO MASONRY
 SERIES 8500/9500 VINYL
 DOUBLE HUNG WINDOW

RW BUILDING
 CONSULTANTS, INC.
 813.659.9197

DATE: 6/14/02

SCALE: N.T.S.

DWG. BY: WLN

CHK. BY: R.W.

DRAWING NO.:
 AC-408-OC

SHEET 3 OF 3