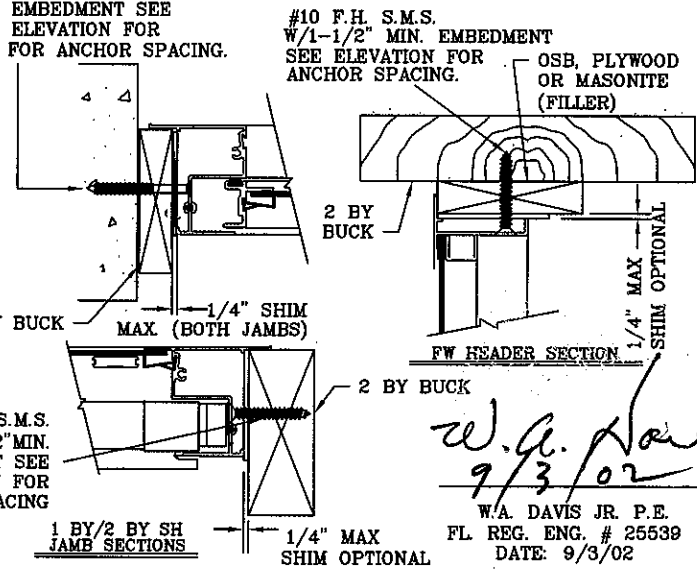


NOTES:

- 1) ALL ALUMINUM EXTRUSIONS ARE ALLOY 6063-T5 OR T6 WITH TYPICAL WALL THICKNESS OF 0.062".
- 2) THIS DRAWING IS VALID FOR ONLY THE INSTALLATION OF 437 NORANDEX PRODUCTS.
- 3) THE RESPONSIBILITY FOR SELECTION OF NORANDEX PRODUCTS TO MEET ANY APPLICABLE LOCAL LAWS, BUILDING CODES, ORDINANCES OR OTHER SAFETY REQUIREMENTS REST SOLELY WITH THE ARCHITECT, BUILDING OWNER OR CONTRACTOR.
- 4) INSTALLATION HOLES ARE FACTORY PREPUNCHED TO MANUFACTURERS' RECOMMENDATION MAX SPACING 6" FROM CORNERS AND TYPICAL 24" O.C.
- 5) GLASS THICKNESS BASED ON ASTM E 1300 GLASS CHARTS, AND MAY VARY DEPENDING ON SIZE.
- 6) A PRESSED TREATED WOODEN BUCK OR MARBLE SILL SHALL BE ADDED UNDER THE PRODUCT TO FULLY SUPPORT UNIT. THIS SUPPORT SHALL BE FIRMLY ATTACHED INTO MASONRY AND SUPPORT THE PRODUCT OVER ITS FULL LENGTH (SUPPLIED BY OTHERS).
- 7) SHIMS ARE OPTIONAL, MAX SHIM STACK 1/4".
- 8) USE HIGH QUALITY CAULK BEHIND WINDOW FLANGE.
- 9) CONCRETE COMPRESSIVE STRENGTH = 3,000 PSI AT 28 DAYS.
- 10) WOOD BUCKS NOT BY NORANDEX MUST SUSTAIN IMPOSED LOADS. CONTRACTOR IS RESPONSIBLE FOR MAINTAINING STRUCTURAL INTEGRITY OF THE WINDOW OPENING AND ANY WOOD FRAMING AROUND 3/16" TAPCON WINDOW ELEVATION FOR EMBEDMENT SEE ELEVATION FOR ANCHOR SPACING.



**437 SINGLE HUNG
W/ROUNTOP
INSTALLATION DETAIL AND
FASTENER SCHEDULE**

SERIES: 437
 ALUMINUM SINGLE HUNG
NORANDEX
 4506 30th STREET WEST
 BRADENTON, FL 34407
 PHONE: (941) 766-1681

NO.	DATE	REVISIONS DESCRIPTION

DP = ±45 PSF

W.A. Davis Jr.
 9/3/02
 W.A. DAVIS JR. P.E.
 FL REG. ENG. # 25539
 DATE: 9/3/02