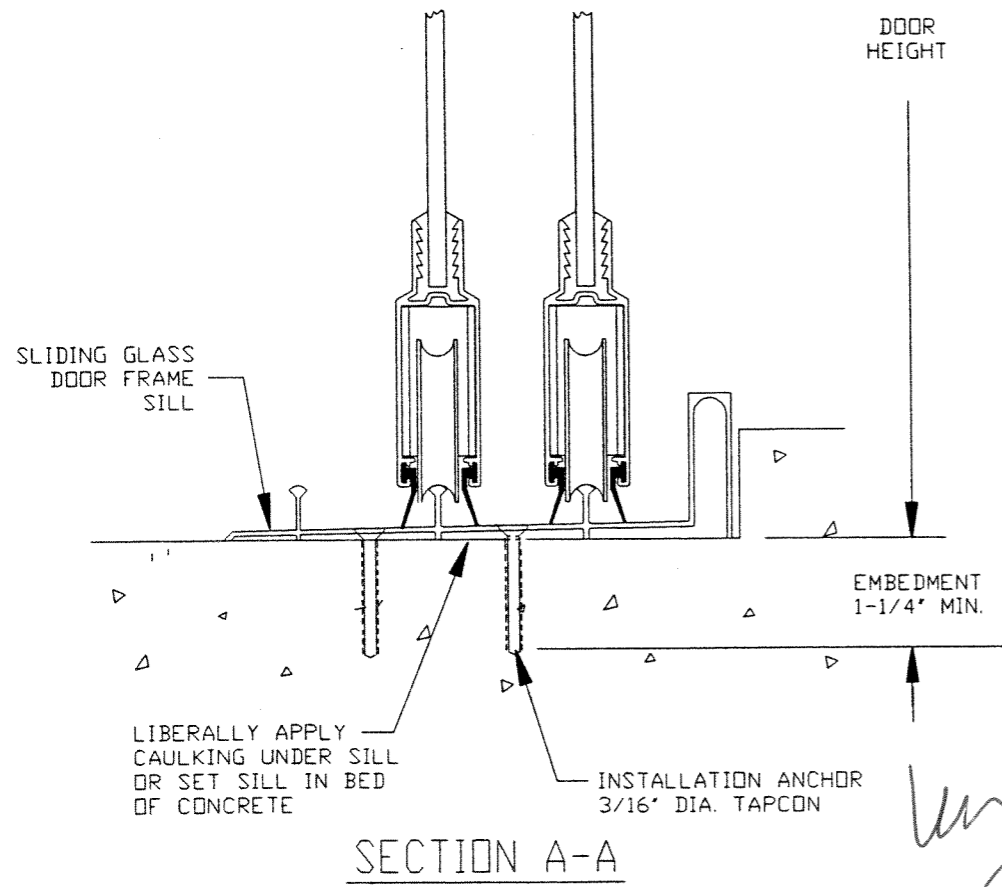
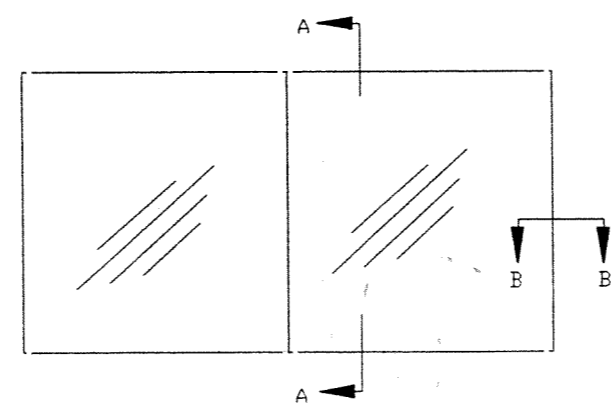


SECTION B-B

HOOK STRIP DETAIL



SECTION A-A



EXTERIOR ELEVATION

2 PANEL DOOR SHOWN

NOTES:

- 1) DOOR MATERIAL: ALUMINUM ALLOY 6063.
- 2) #8 INSTALLATION SCREWS MUST BE OF SUFFICIENT LENGTH TO ACHIEVE MIN. EMBEDMENT OF 1-1/8" INTO WOOD. TAPCON TYPE INSTALLATION ANCHORS AT SILL MUST BE OF SUFFICIENT LENGTH TO ACHIEVE MIN. EMBEDMENT OF 1-1/4" INTO MASONRY OR CONCRETE.
- 3) INSTALLATION ANCHOR CHART ON BACK OF THIS SHEET.
- 4) USE SILICONIZED ACRYLIC CAULK BEHIND DOOR FLANGE AT HEAD & JAMBS.
- 5) USE SILICONIZED ACRYLIC CAULK FOR PERIMETER SEAL AROUND EXTERIOR OF DOOR.
- 6) IF EXACT DOOR SIZE IS NOT LISTED IN ANCHOR CHART, USE ANCHOR QUANTITY LISTED WITH NEXT LARGER SIZE, FOR THE APPROPRIATE DESIGN PRESSURE REQ'D.
- 7) FOR POCKET DOOR SIZES USE CLOSEST BYPASS DOOR SIZE & CONFIGURATION TO FINISHED OPENING. PLACE INSTALLATION ANCHORS, IN FRONT OF HOOK STRIP AS SHOWN.
- 8) GLASS THICKNESS MAY VARY PER REQUIREMENTS OF ASTM E1300 GLASS CHARTS.
- 9) DOOR UNIT IS APPROVED USING TEMPERED GLASS IN SINGLE GLAZED OR INSULATING GLASS.
- 10) JAMB / SILL CORNERS ARE TO BE SEALED WITH A SMALL JOINT SEAM SEALER.
- 11) SHIM AS REQ'D. AT EA. SET OF INSTALLATION ANCHORS. MAX. ALLOWABLE SHIM STACK TO BE 1/4".
- 12) ALL INSTALLATION ANCHORS MUST BE MADE OF CORROSION RESISTANT MATERIALS.
- 13) WHERE 'X' REPRESENTS MOVING PANEL AND 'D' REPRESENTS FIXED PANEL APPROVED CONFIGURATIONS ARE AS LISTED ON ANCHOR CHART ON BACK OF THIS SHEET.
- 14) NOT ALL CONFIGURATIONS LISTED ABOVE ARE SHOWN ON THIS DRAWING, HOWEVER INSTALLATION SECTIONS 'A-A', 'B-B' & HOOK STRIP DETAIL APPLY TO INSTALLATION OF ALL APPROVED CONFIGURATIONS.
- 15) FLORIDA EXTRUDERS 1000 SERIES SLIDING GLASS DOOR IS SHOWN. THIS PRINT ALSO APPLIES TO 2000 SERIES AND 500 SERIES.

[Handwritten Signature]
 FEB 21 2002

REV	DESCRIPTION	DATE	INI

FLORIDA EXTRUDERS
 INT. INC. SANFORD FL.

TITLE: SLIDING GLASS DOOR
 INSTALLATION WITH #8 SCREWS

DRAWN BY: BB APPROVED BY: _____

DATE: 12/17/01 SCALE: NTS DWG #FLEX0027 SHT 1 OF 2

#8 SCREW INSTALLATION ANCHOR CHART

NOMINAL DOOR SIZE AND CONFIGURATION	DOOR SIZE	QUANTITIES IN HEAD & SILL			QUANTITIES IN EA. JAMB			QUANTITIES IN EA. HOOK STRIP		
		UP TO 45 PSF	46 PSF TO 60 PSF	61 PSF TO 70 PSF	UP TO 45 PSF	46 PSF TO 60 PSF	61 PSF TO 70 PSF	UP TO 45 PSF	46 PSF TO 60 PSF	61 PSF TO 70 PSF
4068 XX, DX, XD	48 X 80	6	6	6	8	8	8	4	4	4
5068 XX, DX, XD	60 X 80	6	6	6	8	8	8	4	4	4
6068 XX, DX, XD	72 X 80	8	8	8	8	8	8	4	4	4
8068 XX, DX, XD	96 X 80	10	10	10	8	8	8	4	4	4
10068 XX, DX, XD	120 X 80	12	12	12	8	8	8	4	4	4
5080 XX, DX, XD	60 X 96	6	6	6	10	10	10	5	5	5
6080 XX, DX, XD	72 X 96	8	8	8	10	10	10	5	5	5
8080 XX, DX, XD	96 X 96	10	10	10	10	10	10	5	5	5
10080 XX, DX, XD	120 X 96	12	12	12	10	10	10	5	5	5
50100 XX, DX, XD	60 X 120	6	6	6	12	12	12	6	6	6
60100 XX, DX, XD	72 X 120	8	8	8	12	12	12	6	6	7
80100 XX, DX, XD	96 X 120	10	10	10	12	12	12	6	7	8
9068 DXD	109 1/8 X 80	12	12	12	8	8	8	4	4	4
12068 DXD	145 1/8 X 80	14	14	14	8	8	8	4	4	4
15068 DXD	181 1/8 X 80	16	16	16	8	8	8	4	4	4
9080 DXD	109 1/8 X 96	12	12	12	10	10	10	5	5	5
12080 DXD	145 1/8 X 96	14	14	14	10	10	10	5	5	5
15080 DXD	181 1/8 X 96	16	16	16	10	10	10	5	5	5
90100 DXD	109 1/8 X 120	12	12	12	12	12	12	5	7	8
120100 DXD	145 1/8 X 120	14	14	14	12	12	12	5	7	8
9068 XXX	106 5/8 X 80	12	12	12	8	8	8	4	4	4
12068 XXX	142 5/8 X 80	14	14	14	8	8	8	4	4	4
15068 XXX	178 5/8 X 80	16	16	16	8	8	8	4	4	4
9080 XXX	106 5/8 X 96	12	12	12	10	10	10	5	5	5
12080 XXX	142 5/8 X 96	14	14	14	10	10	10	5	5	5
15080 XXX	178 5/8 X 96	16	16	16	10	10	10	5	5	5
90100 XXX	106 5/8 X 120	12	12	12	12	12	12	6	7	8
120100 XXX	142 5/8 X 120	14	14	14	12	12	12	6	7	8
10068 DXDX	119 5/8 X 80	12	12	12	8	8	8	4	4	4
12068 DXDX	143 5/8 X 80	14	14	14	8	8	8	4	4	4
16068 DXDX	191 5/8 X 80	18	18	18	8	8	8	4	4	4
10080 DXDX	119 5/8 X 96	12	12	12	10	10	10	5	5	5
12080 DXDX	143 5/8 X 96	14	14	14	10	10	10	5	5	5
16080 DXDX	191 5/8 X 96	18	18	18	10	10	10	5	5	5
100100 DXDX	119 5/8 X 120	12	12	12	12	12	12	6	7	8
120100 DXDX	143 5/8 X 120	14	14	14	12	12	12	6	7	8
160100 DXDX	191 5/8 X 120	18	18	19	12	12	12	6	7	8
10068 XXXX	117 1/4 X 80	12	12	12	8	8	8	4	4	4
12068 XXXX	141 1/4 X 80	14	14	14	8	8	8	4	4	4
16068 XXXX	189 1/4 X 80	16	16	16	8	8	8	4	4	4
10080 XXXX	117 1/4 X 96	12	12	12	10	10	10	5	5	5
12080 XXXX	141 1/4 X 96	14	14	14	10	10	10	5	5	5
16080 XXXX	189 1/4 X 96	16	16	16	10	10	10	5	5	5
400100 XXXX	117 1/4 X 120	12	12	12	12	12	12	5	7	8
120100 XXXX	141 1/4 X 120	14	14	14	12	12	12	5	7	8
160100 XXXX	189 1/4 X 120	16	16	19	12	12	12	5	7	8

ANCHOR NOTES:

1) FOR MASONRY OPENING W/TWO BY WOOD BUCK USE SAME ANCHOR QUANTITIES.

um
gj
FEB 1 2002

FLORIDA EXTRUDERS		
INT. IN.		SANFORD, FL.
TITLE: SLIDING GLASS DOOR INSTALLATION WITH #8 SCREWS		
ENGINEER: <i>[Signature]</i>	DRN: BB	DATE: 12/21/01
DISCIPLINE: CIVIL	SCALE: N.T.S.	DWG. NO: FLEX0027
FL. REG. NO: 47182	REV. LETTER:	SHEET: 2 OF 2