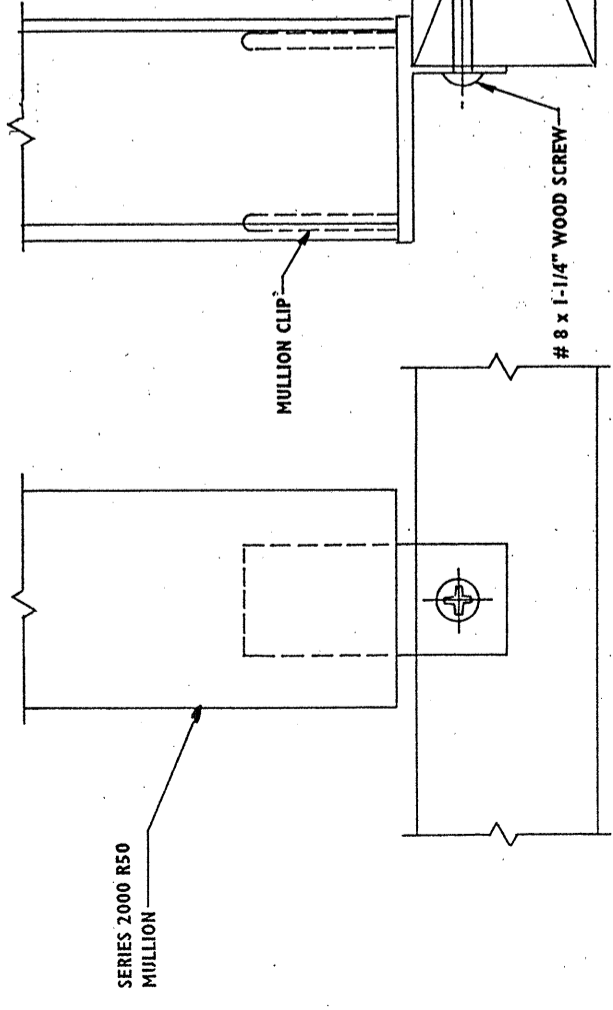
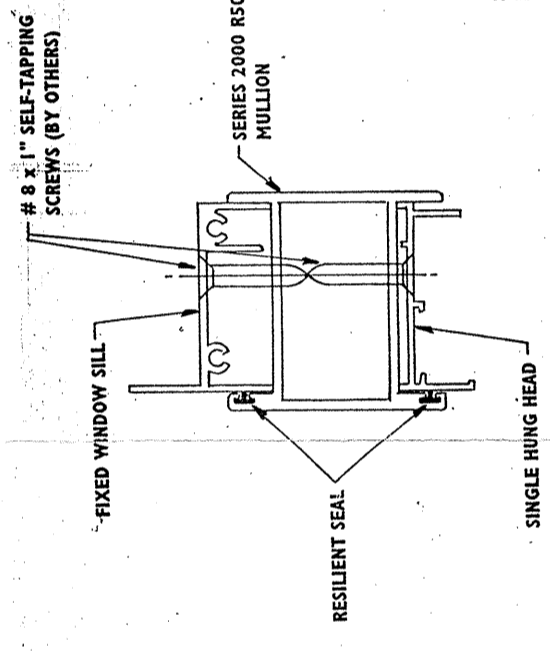


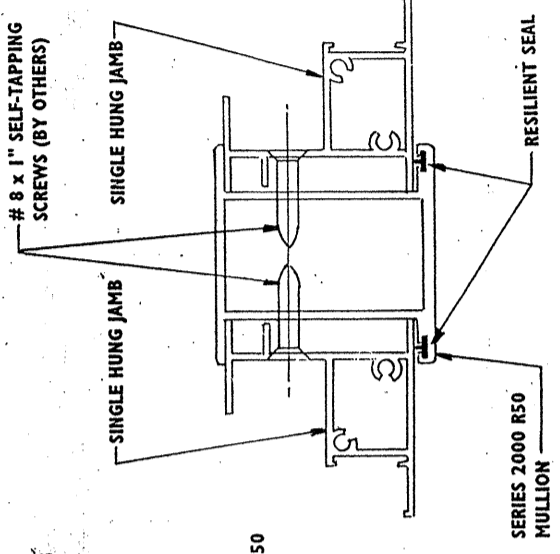
**MULLION ANCHOR DETAIL AT C**



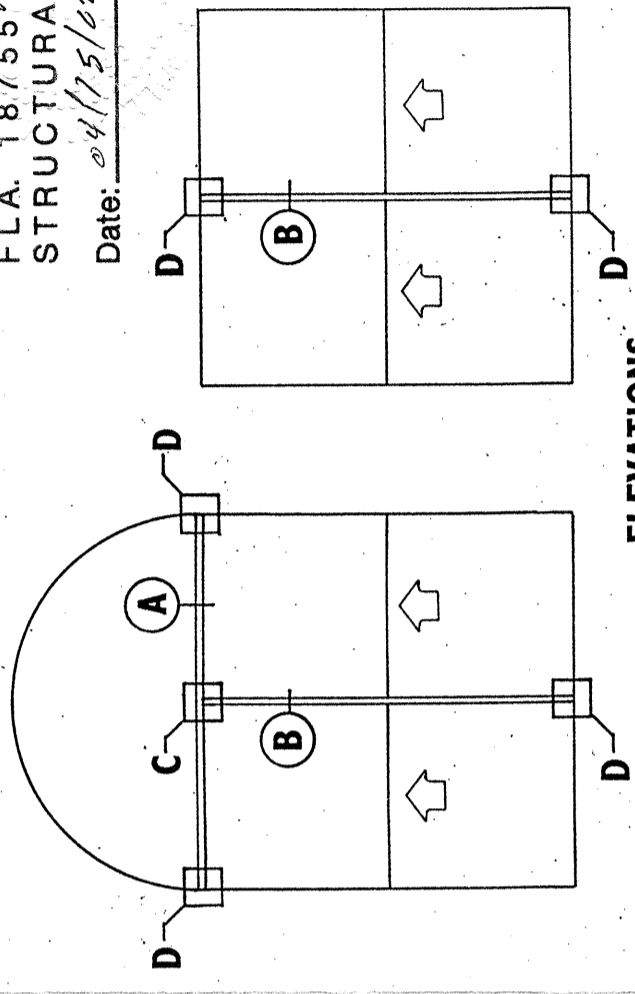
**MULLION ANCHOR DETAIL AT D**



**SECTION AT A**



**SECTION AT B**



**ELEVATIONS**

ROBT. E. FISHER  
 WM. M. MEYERS, P.E.  
 Consulting Engineers  
 9301 N.E. 6th Ave. C-304  
 Miami Shores, FL 33138  
 (305) 758-3117 557-4006 Fax 362-6287

*Wm M Meyers*  
 FLA. 18755  
 STRUCTURAL  
 Date: 04/15/02

MILCO BUILDING PRODUCTS Swainsboro, GA	
SCALE: NONE	APPROVED BY: HMR
DATE: 04/15/02	REVISED:
R50 MULLION INSTALLATION INSTRUCTIONS MILCO SERIES 2000 SINGLE HUNG TWIN WINDOW	
SERIES 2000/6000/8000 dP50	DRAWING NUMBER <b>MU-2000</b>

*2*  
*04/25/02*