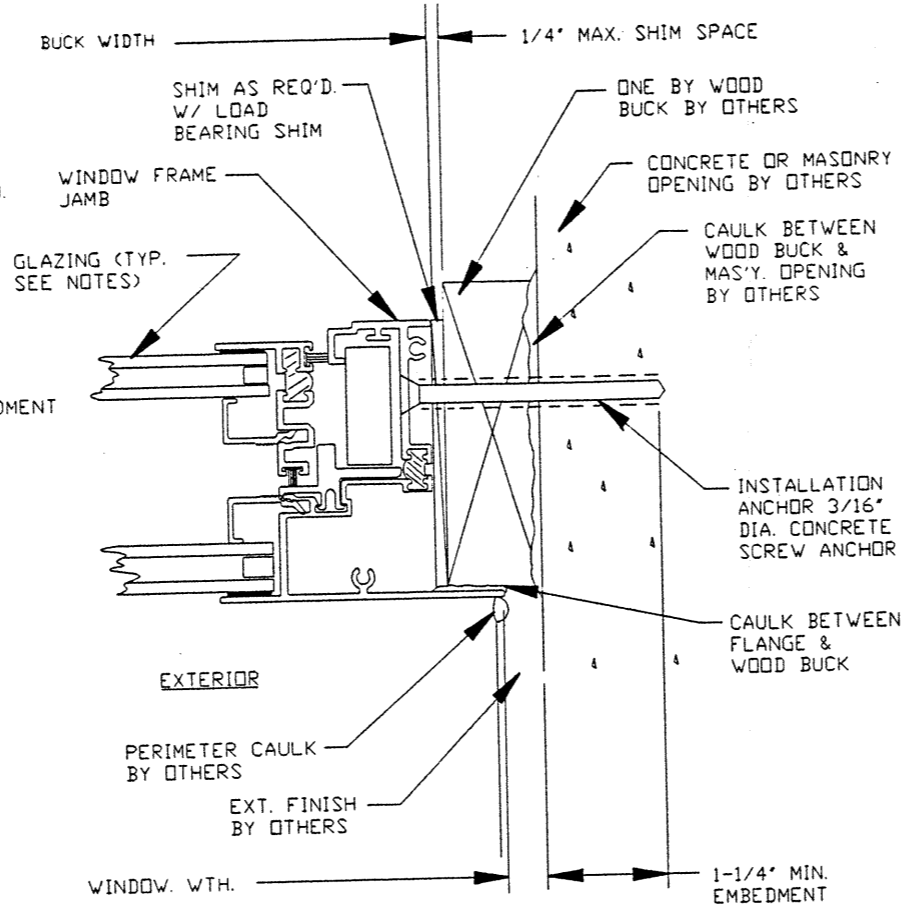
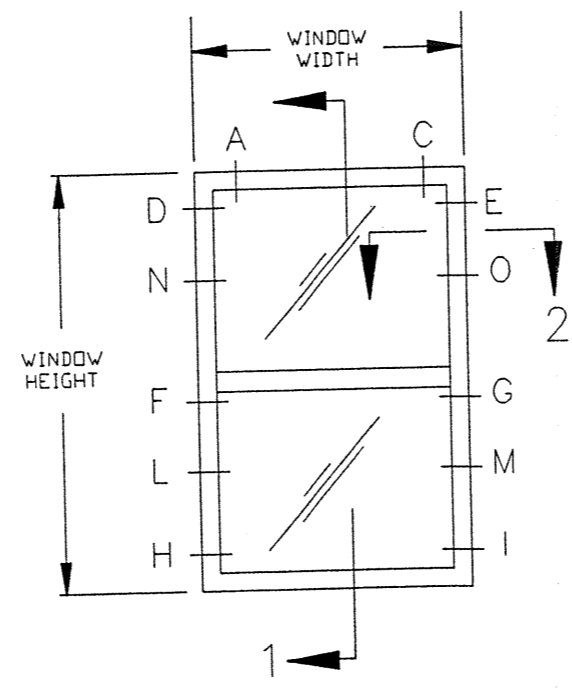


SECTION 1



SECTION 2



EQUAL LITE ELEVATION VIEWED FROM EXTERIOR

ANCHOR LOCATION CHART					
CALL SIZE	BUCK SIZE	LOCATIONS IN HEAD		LOCATIONS IN JAMB	
		UP TO 45psf	46psf TO 70PSF	UP TO 45psf	46psf TO 70psf
12	18 1/8 X 25	A,C	A,C	F,G	F,G
13	18 1/8 X 37 3/8	A,C	A,C	F,G	F,G
14	18 1/8 X 49 5/8	A,C	A,C	F,G	F,G
15	18 1/8 X 62	A,C	A,C	F,G	F,G,H,I
16	18 1/8 X 71	A,C	A,C	F,G	F,G,H,I
17	18 1/8 X 83	A,C	A,C	F,G	F,G,H,I
18	18 1/8 X 95	A,C	A,C	F,G,H,I	F,G,H,I
1H32	25 1/2 X 25	A,C	A,C	F,G	F,G
1H33	25 1/2 X 37 3/8	A,C	A,C	F,G	F,G
1H34	25 1/2 X 49 5/8	A,C	A,C	F,G	F,G,H,I
1H35	25 1/2 X 62	A,C	A,C	F,G	F,G,H,I
1H36	25 1/2 X 71	A,C	A,C	F,G,H,I	F,G,H,I
1H37	25 1/2 X 83	A,C	A,C	F,G,H,I	F,G,H,I
1H38	25 1/2 X 95	A,C	A,C	F,G,H,I	D,E,F,G,H,I
22	36 X 25	A,C	A,C	F,G	F,G
23	36 X 37 3/8	A,C	A,C	F,G	F,G,H,I
24	36 X 49 5/8	A,C	A,C	F,G	F,G,H,I
25	36 X 62	A,C	A,C	F,G,H,I	F,G,H,I
26	36 X 71	A,C	A,C	F,G,H,I	D,E,F,G,H,I
27	36 X 83	A,C	A,C	F,G,H,I	D,E,F,G,H,I,N,O
28	36 X 95	A,C	A,C	F,G,H,I	D,E,F,G,H,I,N,O
32	52 1/8 X 25	A,C	A,C	F,G	F,G
33	52 1/8 X 37 3/8	A,C	A,C	F,G,H,I	F,G,H,I
34	52 1/8 X 49 5/8	A,C	A,C	F,G,H,I	F,G,H,I
35	52 1/8 X 62	A,C	A,C	F,G,H,I	D,E,F,G,H,I
36	52 1/8 X 71	A,C	A,C	F,G,H,I	D,E,F,G,H,I
37	52 1/8 X 83	A,C	A,C	D,E,F,G,H,I	D,E,F,G,H,I,N,O
38	52 1/8 X 95	A,C	A,C	D,E,F,G,H,I	D,E,F,G,H,I,L,M,N,O

- NOTES:
- 1) SHIM AS REQ'D. AT EACH INSTALLATION ANCHOR W/ LOAD BEARING SHIM. MAX. ALLOWABLE SHIM STACK TO BE 1/4". USE SHIMS WHERE SPACE GREATER THAN 1/16" IS PRESENT.
 - 2) WINDOW FRAME MATERIAL: ALUMINUM ALLOY 6063.
 - 3) 3/16" DIA. CONCRETE SCREW ANCHOR MUST BE OF SUFFICIENT LTH. TO ACHIEVE MIN. EMBEDMENT OF 1-1/4" INTO MASONRY OR CONCRETE. (TYP. LTH. 2-3/4").
 - 4) CAULK BEHIND WINDOW FLANGE WITH DUO-SIL ADHESIVE CAULK OR APPROVED EQUAL. APPLICATION OF DUO-SIL ADHESIVE CAULK SEALANT MUST COMPLY WITH SEALANT MANUFACTURER'S RECOMMENDATIONS.
 - 5) USE LATEX CAULK OR EQUIVALENT FOR PERIMETER SEAL AROUND EXTERIOR OF WINDOW FLANGE BY OTHERS.
 - 6) IF EXACT WINDOW SIZE IS NOT LISTED IN ANCHOR CHART, USE ANCHOR QUANTITY LISTED WITH NEXT LARGER SIZE, FOR THE APPROPRIATE DESIGN PRESSURE REQ'D.
 - 7) GLASS THICKNESS MAY VARY PER THE REQUIREMENTS OF ASTM E1300 GLASS CHARTS. INSULATING GLASS IS SHOWN, SINGLE GLAZING ALSO QUALIFIED.
 - 8) LETTER DESIGNATIONS ON THE CONCRETE SCREW ANCHOR LOCATION CHART INDICATE WHERE CONCRETE SCREW ANCHORS ARE TO BE INSTALLED WHEN USING THE EXTERIOR ELEVATION AS A KEY.
 - 9) NOT ALL ANCHORS SHOWN ON ELEVATION ARE APPLIED BY FACTORY IN ALL SIZES. ALL FACTORY APPLIED HOLES NOT DESIGNATED FOR CONCRETE SCREW ANCHOR SHOULD BE FILLED WITH #8 SCREWS OF SUFFICIENT LTH. TO PROVIDE MIN. 5/8 IN. EMBEDMENT INTO WOOD BUCK. FACTORY PUNCHED HOLES IN JAMBS TO BE 6" FROM END AND 24" O.C. MAX.
 - 10) KINCO, LTD'S. TB SERIES WINDOW IS SHOWN. INSTALLATION DETAILS ALSO APPLY TO KINCO'S TW SERIES WINDOWS.

KINCO, LTD.
JACKSONVILLE, FLORIDA

TITLE: INSTALLATION DETAIL W/ONE BY WOOD BUCK FLANGE SINGLE HUNG WINDOW TB & TW SERIES

ENGINEER: MANUEL MARTINEZ	DRN: BB	DATE: 11/26/01
DISCIPLINE: CIVIL	SCALE: N.T.S.	DWG. NO: KJAX-0070
FL. REG. NO: 47182	REV. LETTER:	SHEET: 1 OF 1