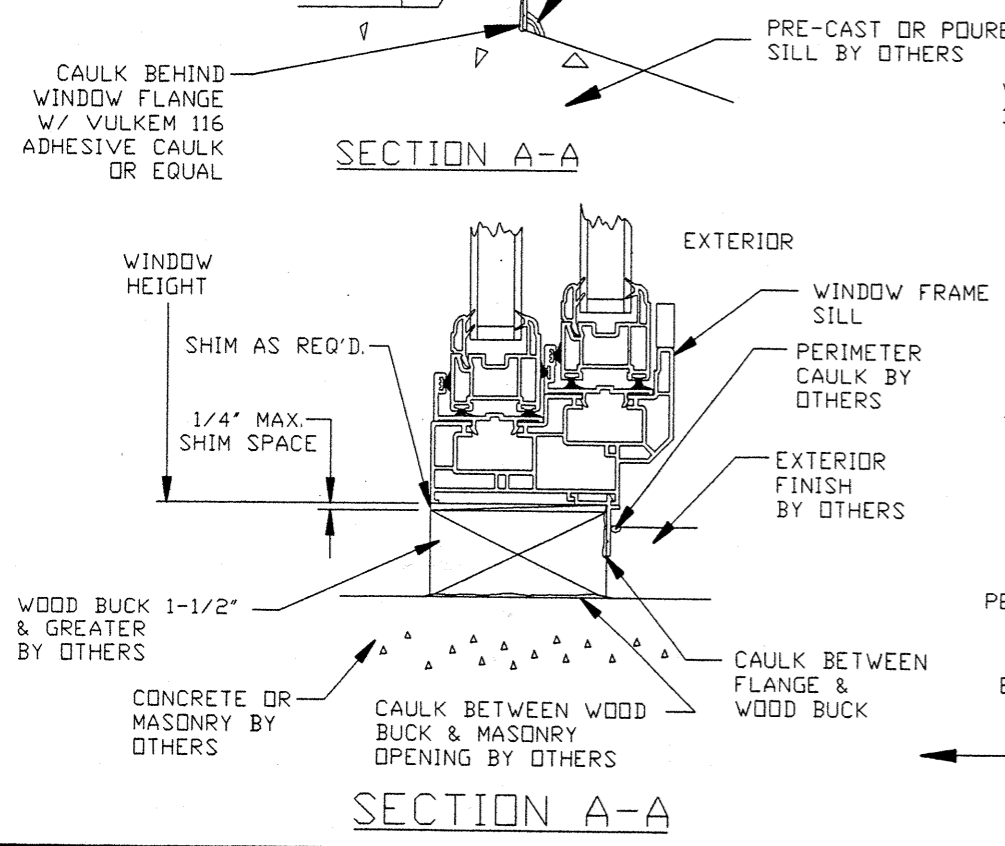
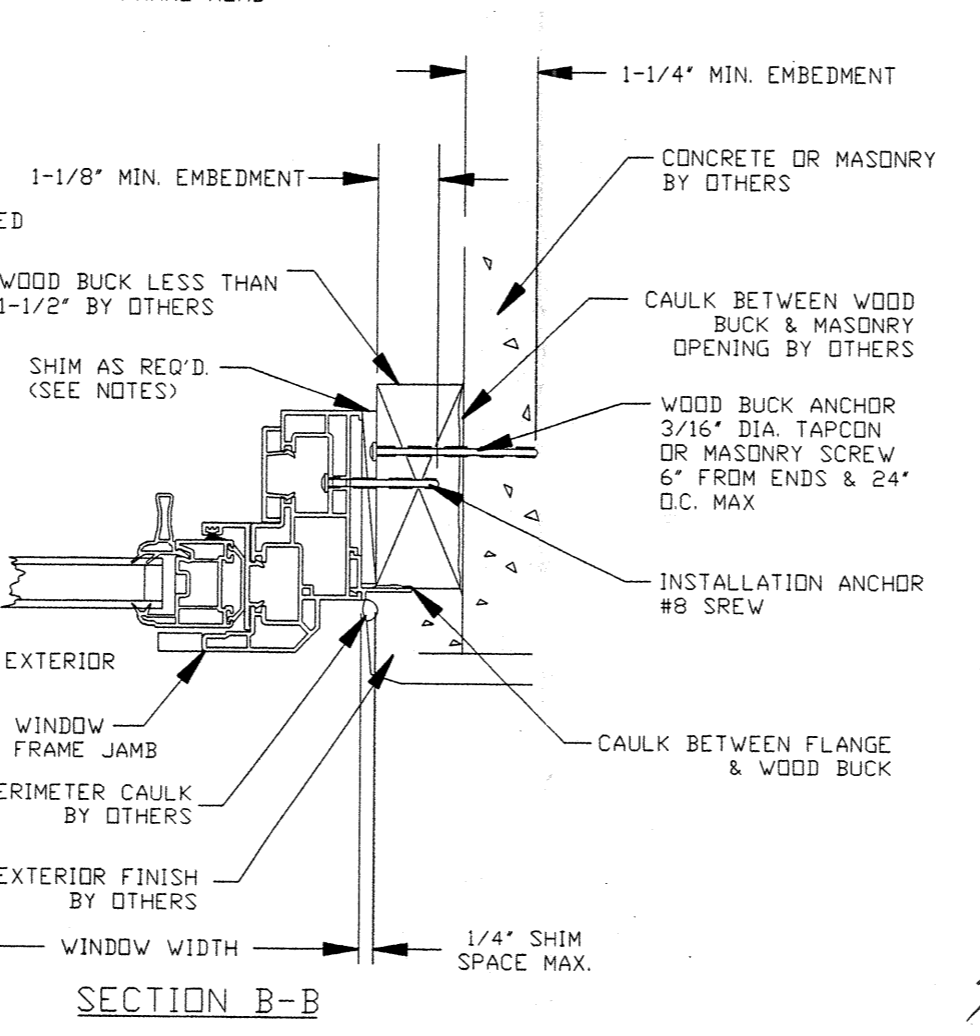
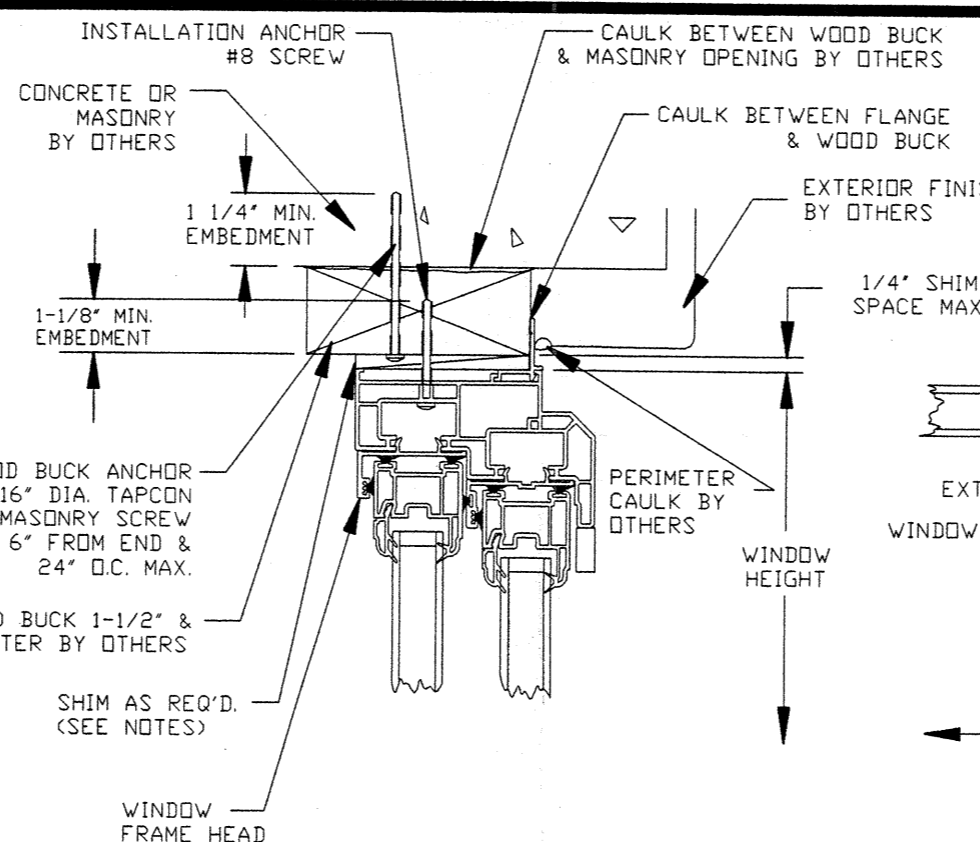


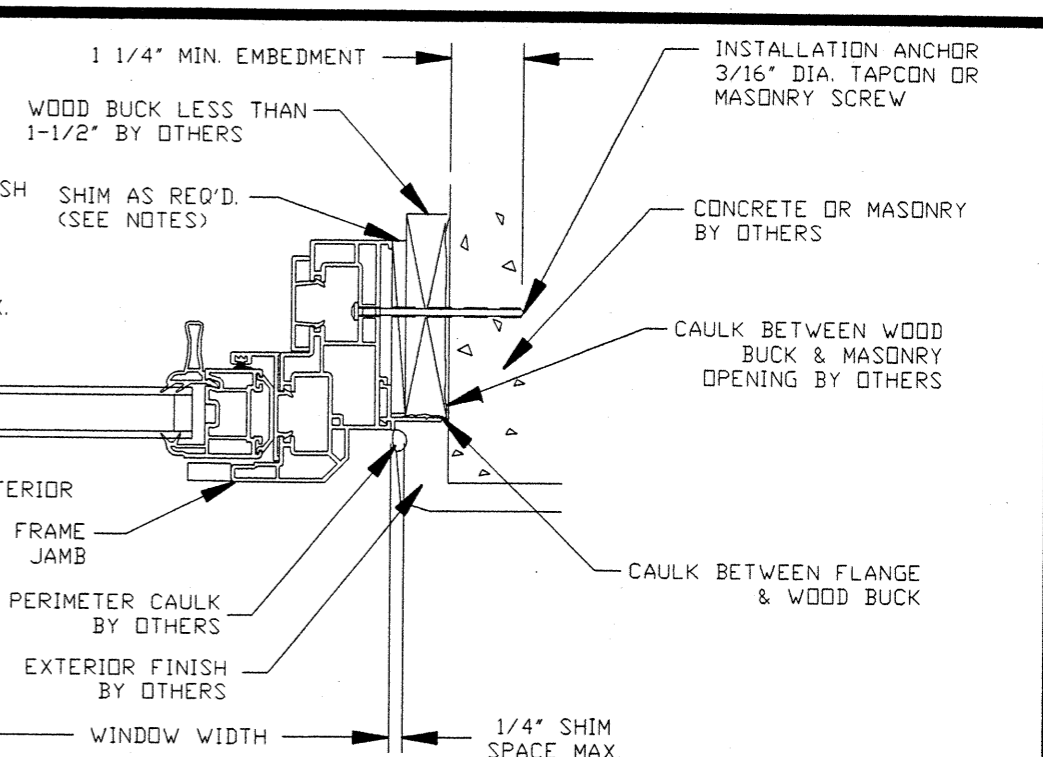
SECTION A-A



SECTION A-A



SECTION B-B



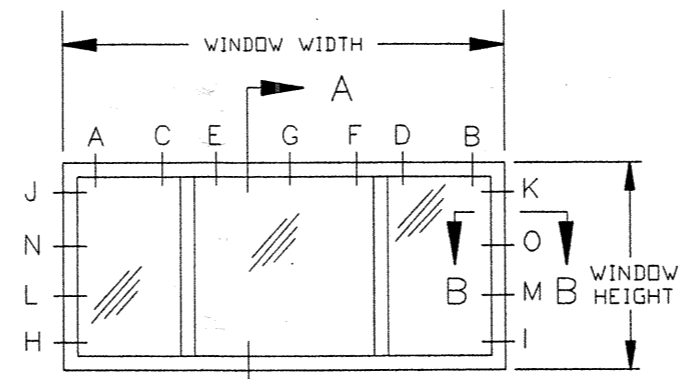
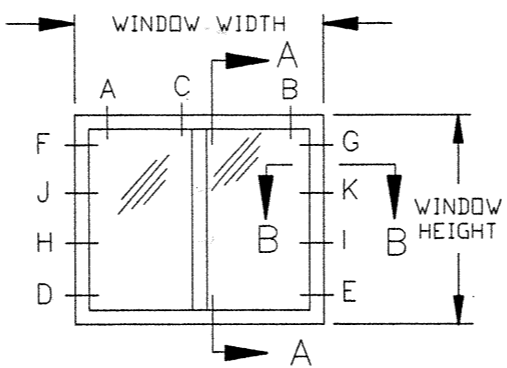
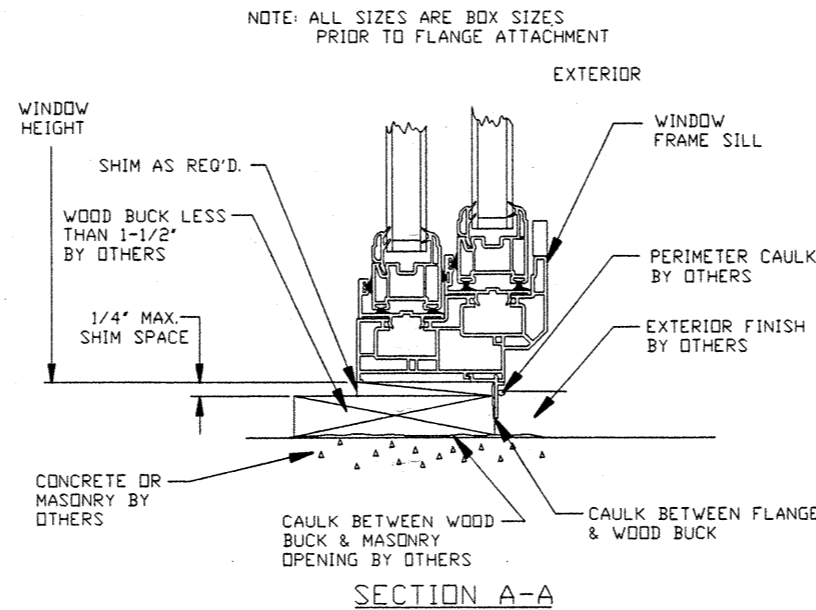
SECTION B-B

- NOTES:
- 1) SHIM AS REQ'D. AT EACH INSTALLATION ANCHOR W/ LOAD BEARING SHIM. MAX. ALLOWABLE SHIM STACK TO BE 1/4". USE SHIMS WHERE SPACE GREATER THAN 1/16" IS PRESENT.
 - 2) WINDOW FRAME MATERIAL: POLY VINYL CHLORIDE.
 - 3) DRAWINGS ARE SHOWN WITH FLANGE OPTION.
 - 4) 3/16" DIA. TAPCON OR MASONRY SCREW ANCHOR MUST BE OF SUFFICIENT LTH. TO ACHIEVE MIN. EMBEDMENT OF 1-1/4" INTO MASONRY OR CONCRETE.
 - 5) LETTER DESIGNATIONS ON THE FASTENER LOCATION CHART INDICATE WHERE FASTENERS ARE TO BE INSTALLED WHEN USING THE EXTERIOR ELEVATION AS A KEY.
 - 6) NOT ALL INSTALLATION HOLES FOR ANCHORS SHOWN ON ELEVATION ARE APPLIED BY FACTORY IN ALL SIZES. USE #8 SCREWS OF SUFFICIENT LTH. TO PROVIDE MIN. 5/8 IN. EMBEDMENT INTO WOOD BUCK.
 - 7) #8 SCREW INSTALLATION ANCHORS IN TWO BY WOOD BUCK INSTALLATION MUST BE OF SUFFICIENT LENGTH TO ACHIEVE MIN. EMBEDMENT OF 1-1/8" INTO TWO BY WOOD BUCK. PLACE #8 INSTALLATION ANCHORS 6" FROM CORNERS & 24" O.C. MAX.
 - 8) NO INSTALLATION SCREWS TO BE PLACED IN THE SILL.
 - 9) CAULK BEHIND WINDOW FLANGE AT HEAD & JAMBS WITH CAULK. CAULK BEHIND WINDOW FLANGE AT SILL WITH VULKEM 116 ADHESIVE CAULK OR SCHNEE-MOREHEAD SM8500 ADHESIVE SEALANT. APPLICATION OF CAULK & SEALANTS MUST COMPLY WITH SEALANT MANUFACTURER'S RECOMMENDATIONS.
 - 10) USE CAULK FOR PERIMETER SEAL AROUND EXTERIOR OF WINDOW FLANGE BY OTHERS.
 - 11) IF EXACT WINDOW SIZE IS NOT LISTED IN FASTENER ANCHOR CHART, USE ANCHOR QUANTITY LISTED WITH NEXT LARGER SIZE.
 - 12) GLASS THICKNESS MAY VARY PER THE REQUIREMENTS OF ASTM E1300 GLASS CHARTS.
 - 13) INSTALLATION AS STATED HEREIN COMPLIES WITH THE FLORIDA BUILDING CODE TO THE DESIGN PRESSURES SHOWN ON ANCHOR LOCATION CHARTS.
 - 14) ANCHOR DETAILS SHOW TWO BY & ONE BY WOOD BUCK. INSTALLATION WOULD ALSO APPLY WHERE NO WOOD BUCK IS USED.

STANEK WINDOW CO.		
TITLE: SERIES 1000, 2000, 3000 & 4000 HORIZONTAL SLIDING WINDOW INSTALLATION DETAIL IN MASONRY		
ENGINEER: MANUEL MARTINEZ	DRN: BB	DATE: 6/04/02
DISCIPLINE: CIVIL	SCALE: N.T.S.	DWG. NO: STAN0003
FL. REG. NO: 47182	REV. LETTER:	SHEET: 1 OF 2

Handwritten signature and date: 4/4/02 06-05-a

ANCHOR LOCATION CHART		
WINDOW SIZE XOX, OXO XXO, OXX	LOCATIONS IN HEAD	LOCATIONS IN EA. JAMB
	UP TO 70 PSF	UP TO 70 PSF
72 x 37	A,B	H,I,J,K
72 x 43	A,B,G	H,I,J,K
72 x 49	A,B,G	H,I,J,K
72 x 55	A,B,G	H,I,J,K,L,M
72 x 61	A,B,G	H,I,J,K,L,M
72 x 67	A,B,G	H,I,J,K,L,M,N,O
72 x 72	A,B,G	H,I,J,K,L,M,N,O
78 x 37	A,B,G	H,I,J,K
78 x 43	A,B,G	H,I,J,K
78 x 49	A,B,G	H,I,J,K
78 x 55	A,B,G	H,I,J,K,L,M
78 x 61	A,B,G	H,I,J,K,L,M
78 x 67	A,B,G	H,I,J,K,L,M,N,O
78 x 72	A,B,G	H,I,J,K,L,M,N,O
84 x 37	A,B,G	H,I,J,K
84 x 43	A,B,G	H,I,J,K
84 x 49	A,B,G	H,I,J,K
84 x 55	A,B,C,D	H,I,J,K,L,M
84 x 61	A,B,C,D	H,I,J,K,L,M
84 x 67	A,B,C,D	H,I,J,K,L,M,N,O
84 x 72	A,B,C,D	H,I,J,K,L,M,N,O
90 x 37	A,B,G	H,I,J,K
90 x 43	A,B,G	H,I,J,K
90 x 49	A,B,C,D	H,I,J,K
90 x 55	A,B,C,D	H,I,J,K,L,M
90 x 61	A,B,C,D	H,I,J,K,L,M
90 x 67	A,B,C,D	H,I,J,K,L,M,N,O
90 x 72	A,B,C,D	H,I,J,K,L,M,N,O
96 x 37	A,B,G	H,I,J,K
96 x 43	A,B,C,D	H,I,J,K
96 x 49	A,B,C,D	H,I,J,K
96 x 55	A,B,C,D	H,I,J,K,L,M
96 x 61	A,B,C,D	H,I,J,K,L,M
96 x 67	A,B,C,D,G	H,I,J,K,L,M,N,O
96 x 72	A,B,C,D,G	H,I,J,K,L,M,N,O
102 x 37	A,B,G	H,I,J,K
102 x 43	A,B,C,D	H,I,J,K
102 x 49	A,B,C,D	H,I,J,K
102 x 55	A,B,C,D	H,I,J,K,L,M
102 x 61	A,B,C,D	H,I,J,K,L,M
102 x 67	A,B,C,D,G	H,I,J,K,L,M,N,O
102 x 72	A,B,C,D,G	H,I,J,K,L,M,N,O
108 x 37	A,B,C,D	H,I,J,K
108 x 43	A,B,C,D	H,I,J,K
108 x 49	A,B,C,D	H,I,J,K
108 x 55	A,B,C,D,G	H,I,J,K,L,M
108 x 61	A,B,C,D,G	H,I,J,K,L,M
108 x 67	A,B,C,D,G	H,I,J,K,L,M,N,O
108 x 72	A,B,C,D,G	H,I,J,K,L,M,N,O
114 x 37	A,B,C,D	H,I,J,K
114 x 43	A,B,C,D	H,I,J,K
114 x 49	A,B,C,D,G	H,I,J,K
114 x 55	A,B,C,D,G	H,I,J,K,L,M
114 x 61	A,B,C,D,G	H,I,J,K,L,M
114 x 67	A,B,C,D,E,F	H,I,J,K,L,M,N,O
114 x 72	A,B,C,D,E,F	H,I,J,K,L,M,N,O
120 x 37	A,B,C,D	H,I,J,K
120 x 43	A,B,C,D,G	H,I,J,K
120 x 49	A,B,C,D,G	H,I,J,K
120 x 55	A,B,C,D,G	H,I,J,K,L,M
120 x 61	A,B,C,D,E,F	H,I,J,K,L,M
120 x 67	A,B,C,D,E,F	H,I,J,K,L,M,N,O
120 x 72	A,B,C,D,E,F	H,I,J,K,L,M,N,O
126 x 37	A,B,C,D	H,I,J,K
126 x 43	A,B,C,D,G	H,I,J,K
126 x 49	A,B,C,D,G	H,I,J,K
126 x 55	A,B,C,D,E,F	H,I,J,K,L,M
126 x 61	A,B,C,D,E,F	H,I,J,K,L,M
126 x 67	A,B,C,D,E,F	H,I,J,K,L,M,N,O
126 x 72	A,B,C,D,E,F,G	H,I,J,K,L,M,N,O



ANCHOR LOCATION CHART		
WINDOW SIZE OX, XO, XX	LOCATIONS IN HEAD	LOCATIONS IN EA. JAMB
	UP TO 60 PSF	UP TO 60 PSF
36 x 37	A,B	D,E
36 x 43	A,B	D,E,F,G
36 x 49	A,B	D,E,F,G
36 x 55	A,B	D,E,F,G
36 x 61	A,B	D,E,F,G
36 x 67	A,B	D,E,F,G
36 x 72	A,B	D,E,F,G
42 x 37	A,B	D,E
42 x 43	A,B	D,E,F,G
42 x 49	A,B	D,E,F,G
42 x 55	A,B	D,E,F,G
42 x 61	A,B	D,E,F,G
42 x 67	A,B	D,E,F,G
42 x 72	A,B	D,E,F,G,H,I
48 x 37	A,B	D,E
48 x 43	A,B	D,E,F,G
48 x 49	A,B	D,E,F,G
48 x 55	A,B	D,E,F,G
48 x 61	A,B	D,E,F,G
48 x 67	A,B	D,E,F,G,H,I
48 x 72	A,B	D,E,F,G,H,I
54 x 37	A,B	D,E
54 x 43	A,B	D,E,F,G
54 x 49	A,B	D,E,F,G
54 x 55	A,B	D,E,F,G
54 x 61	A,B	D,E,F,G,H,I
54 x 67	A,B	D,E,F,G,H,I
54 x 72	A,B	D,E,F,G,H,I
60 x 37	A,B	D,E
60 x 43	A,B	D,E,F,G
60 x 49	A,B	D,E,F,G
60 x 55	A,B	D,E,F,G
60 x 61	A,B	D,E,F,G,H,I
60 x 67	A,B	D,E,F,G,H,I
60 x 72	A,B	D,E,F,G,H,I
66 x 37	A,B	D,E
66 x 43	A,B	D,E,F,G
66 x 49	A,B	D,E,F,G
66 x 55	A,B	D,E,F,G
66 x 61	A,B	D,E,F,G
66 x 67	A,B	D,E,F,G
66 x 72	A,B	D,E,F,G,H,I
72 x 37	A,B	D,E
72 x 43	A,B	D,E,F,G
72 x 49	A,B	D,E,F,G
72 x 55	A,B,C	D,E,F,G
72 x 61	A,B,C	D,E,F,G,H,I
72 x 66	A,B,C	D,E,F,G,H,I
72 x 72	A,B,C	D,E,F,G,H,I,J,K
74 x 37	A,B	D,E
74 x 43	A,B	D,E,F,G
74 x 49	A,B	D,E,F,G
74 x 55	A,B,C	D,E,F,G
74 x 61	A,B,C	D,E,F,G,H,I
74 x 67	A,B,C	D,E,F,G,H,I
74 x 72	A,B,C	D,E,F,G,H,I,J,K

STANEK WINDOW CO.

TITLE: SERIES 1000, 2000, 3000 & 4000 HORIZONTAL SLIDING WINDOW FASTENER LOCATION CHART IN MASONRY W/ BRICK MOLDING

ENGINEER: MANUEL MARTINEZ	DRN: BB	DATE: 6/04/02
DISCIPLINE: CIVIL	SCALE: N.T.S.	DWG. NO: STAN0003-2
FL. REG. NO: 47182	REV. LETTER:	SHEET: 2 OF 2