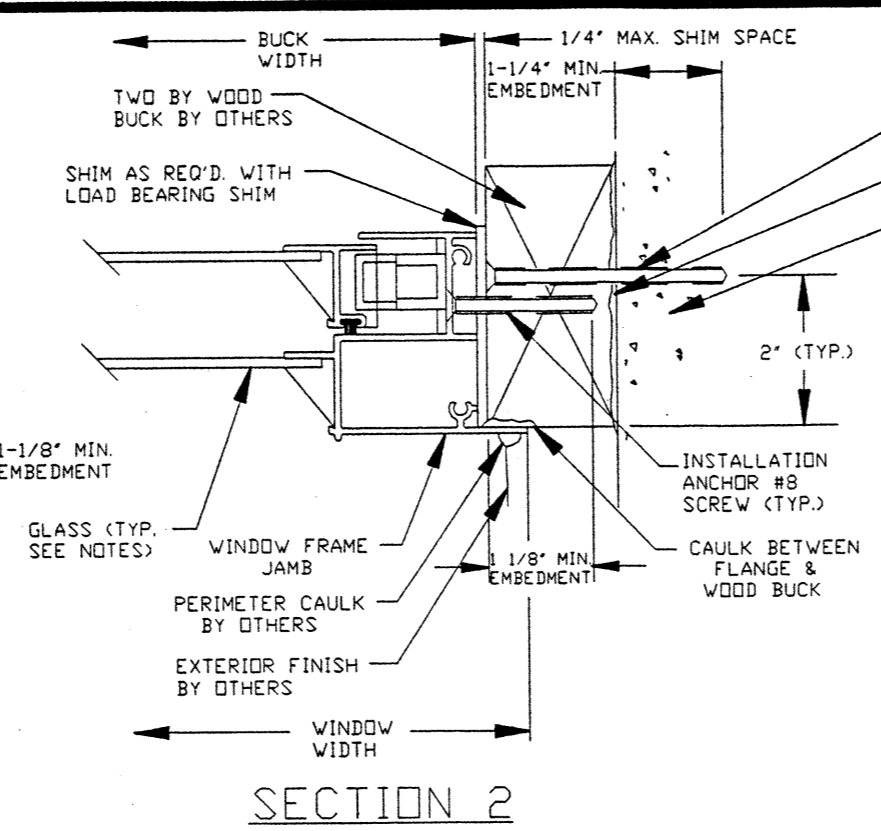
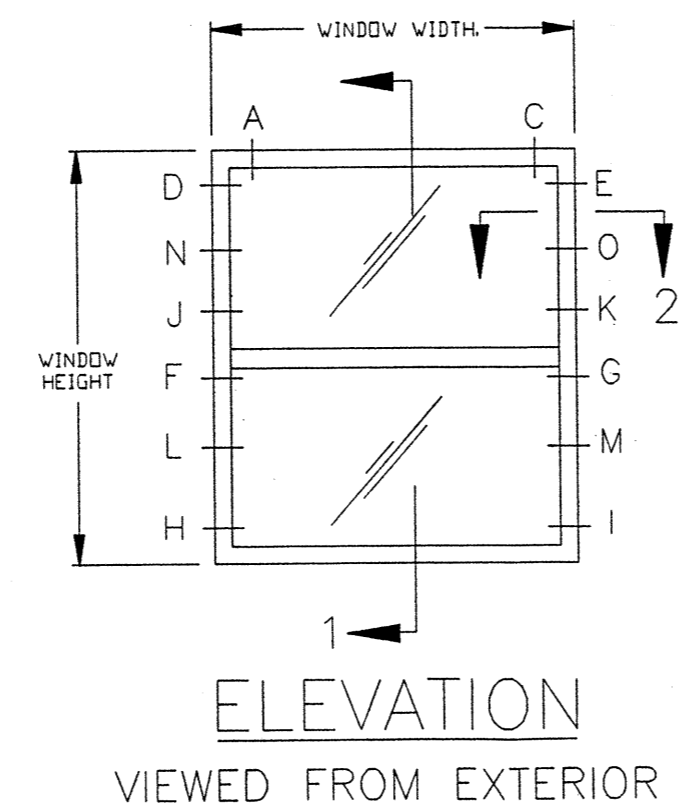


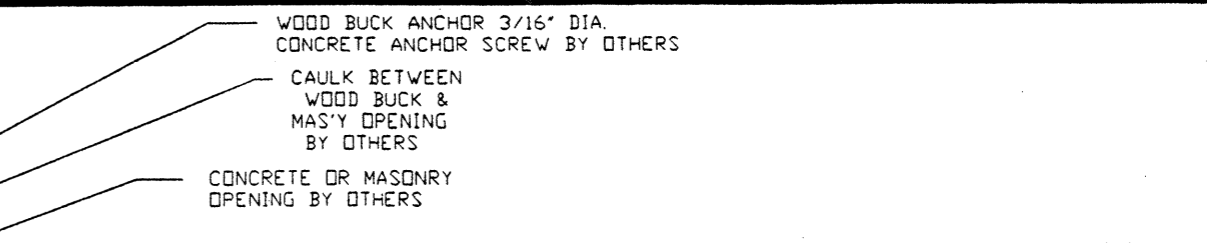
SECTION 1



SECTION 2



ELEVATION  
VIEWED FROM EXTERIOR



ANCHOR LOCATION CHART					
CALL SIZE	BUCK SIZE	LOCATIONS IN HEAD		LOCATIONS IN JAMB	
		UP TO 45psf	46psf TO 70PSF	UP TO 45psf	46psf TO 70PSF
12	18 X 25	A,C	A,C	D,E,F,G,H,I	D,E,F,G,H,I
13	18 X 37 3/8	A,C	A,C	D,E,F,G,H,I	D,E,F,G,H,I
14	18 X 49 5/8	A,C	A,C	D,E,F,G,H,I	D,E,F,G,H,I
15	18 X 62	A,C	A,C	D,E,F,G,H,I	D,E,F,G,H,I
16	18 X 71	A,C	A,C	D,E,F,G,H,I	D,E,F,G,H,I,N,O
17	18 X 83	A,C	A,C	D,E,F,G,H,I	D,E,F,G,H,I,N,O
18	18 X 95	A,C	A,C	D,E,F,G,H,I	D,E,F,G,H,I,N,O
1H32	25 3/8 X 25	A,C	A,C	D,E,F,G,H,I	D,E,F,G,H,I
1H33	25 3/8 X 37 3/8	A,C	A,C	D,E,F,G,H,I	D,E,F,G,H,I
1H34	25 3/8 X 49 5/8	A,C	A,C	D,E,F,G,H,I	D,E,F,G,H,I
1H35	25 3/8 X 62	A,C	A,C	D,E,F,G,H,I	D,E,F,G,H,I
1H36	25 3/8 X 71	A,C	A,C	D,E,F,G,H,I	D,E,F,G,H,I,N,O
1H7	25 3/8 X 83	A,C	A,C	D,E,F,G,H,I	D,E,F,G,H,I,N,O
1H8	25 3/8 X 95	A,C	A,C	D,E,F,G,H,I	D,E,F,G,H,I,N,O
22	35 7/8 X 25	A,C	A,C	D,E,F,G,H,I	D,E,F,G,H,I
23	35 7/8 X 37 3/8	A,C	A,C	D,E,F,G,H,I	D,E,F,G,H,I
24	35 7/8 X 49 5/8	A,C	A,C	D,E,F,G,H,I	D,E,F,G,H,I
25	35 7/8 X 62	A,C	A,C	D,E,F,G,H,I	D,E,F,G,H,I
26	35 7/8 X 71	A,C	A,C	D,E,F,G,H,I	D,E,F,G,H,I,J,K,N,O
27	35 7/8 X 83	A,C	A,C	D,E,F,G,H,I	D,E,F,G,H,I,J,K,N,O
28	35 7/8 X 95	A,C	A,C	D,E,F,G,H,I	D,E,F,G,H,I,J,K,N,O
32	52 X 25	A,C	A,C	D,E,F,G,H,I	D,E,F,G,H,I
33	52 X 37 3/8	A,C	A,C	D,E,F,G,H,I	D,E,F,G,H,I
34	52 X 49 5/8	A,C	A,C	D,E,F,G,H,I	D,E,F,G,H,I
35	52 X 62	A,C	A,C	D,E,F,G,H,I	D,E,F,G,H,I
36	52 X 71	A,C	A,C	D,E,F,G,H,I	D,E,F,G,H,I,J,K,N,O
37	52 X 83	A,C	A,C	D,E,F,G,H,I	D,E,F,G,H,I,J,K,L,M,N,O
38	52 X 95	A,C	A,C	D,E,F,G,H,I,J,K	D,E,F,G,H,I,J,K,L,M,N,O

- NOTES:
- 1) SHIM AS REQ'D. AT EACH INSTALLATION ANCHOR WITH LOAD BEARING SHIM. MAX. ALLOWABLE SHIM STACK TO BE 1/4". USE SHIMS WHERE SPACE GREATER THAN 1/16" IS PRESENT.
  - 2) WINDOW FRAME MATERIAL: ALUMINUM ALLOY 6063.
  - 3) #8 INSTALLATION ANCHOR SCREW MUST BE OF SUFFICIENT LTH. TO ACHIEVE MIN. EMBEDMENT OF 1-1/8" INTO WOOD BUCK. (APPROX. LENGTH 1 3/4")
  - 4) CAULK BEHIND WINDOW FLANGE WITH DUO-SIL ADHESIVE CAULK OR APPROVED EQUAL. APPLICATION OF DUO-SIL ADHESIVE CAULK SEALANT MUST COMPLY WITH SEALANT MANUFACTURER'S RECOMMENDATIONS.
  - 5) USE LATEX CAULK OR EQUIVALENT FOR PERIMETER SEAL AROUND EXTERIOR OF WINDOW FLANGE BY OTHERS.
  - 6) IF EXACT WINDOW SIZE IS NOT LISTED IN ANCHOR CHART, USE ANCHOR QUANTITY LISTED WITH NEXT LARGER SIZE, FOR THE APPROPRIATE DESIGN PRESSURE REQ'D.
  - 7) GLASS THICKNESS MAY VARY PER THE REQUIREMENTS OF ASTM E1300 GLASS CHARTS. SINGLE GLAZING IS SHOWN, INSULATING GLASS ALSO QUALIFIED.
  - 8) LETTER DESIGNATIONS ON THE ANCHOR CHART INDICATE WHERE ANCHORS ARE TO BE INSTALLED WHEN USING THE EXTERIOR ELEVATION AS A KEY.
  - 9) NOT ALL ANCHORS SHOWN ON ELEVATION ARE APPLIED BY FACTORY IN ALL SIZES. ALL FACTORY APPLIED HOLES NOT DESIGNATED FOR ANCHORS SHOULD BE PUNCHED 6" FROM CORNERS & 24" O.C. MAX. ALL FACTORY APPLIED HOLES NOT DESIGNATED FOR ANCHORS SHOULD BE FILLED WITH #8 SCREWS OF SUFFICIENT LENGTH TO PROVIDE MIN. 1-1/8" EMBEDMENT INTO WOOD BUCK.
  - 10) CONCRETE SCREW ANCHORS FOR THE ATTACHMENT OF WOOD BUCKS ARE TO BE 3/16" DIA. & OF SUFFICIENT LENGTH TO ACHIEVE MIN. EMBEDMENT OF 1-1/4" INTO CONCRETE OR MASONRY. SPACE CONCRETE SCREW ANCHORS 6" FROM END & 24" O.C. MAX.

**KINCO, LTD.** 5245 OLD KINGS ROAD  
JACKSONVILLE, FLORIDA 32254

TITLE: INSTALLATION DETAIL W/TWO BY WOOD BUCK FLG. SINGLE HUNG WINDOW M40/50 & M40/50 HP		
ENGINEER: MANUEL MARTINEZ	DRN: BB	DATE: 11/16/01
DISCIPLINE: CIVIL	SCALE: N.T.S.	DWG. NO: KJAX0068
FL. REG. NO: 47182	REV. LETTER:	SHEET: 1 OF 1