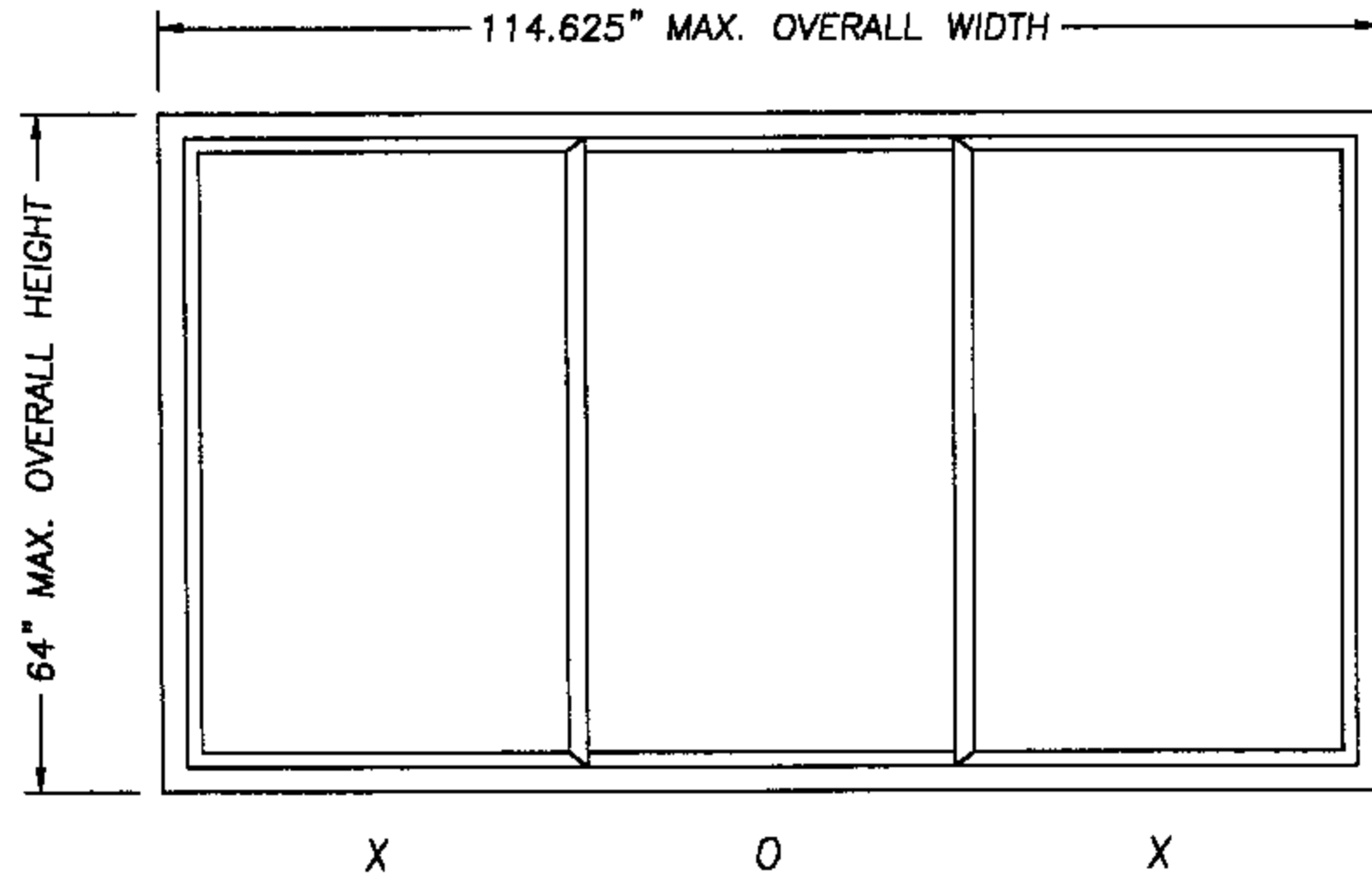


GREAT LAKES WINDOW

UNIFRAME SERIES

EXTRUDED VINYL 3-LITE HORIZONTAL SLIDER WINDOWS

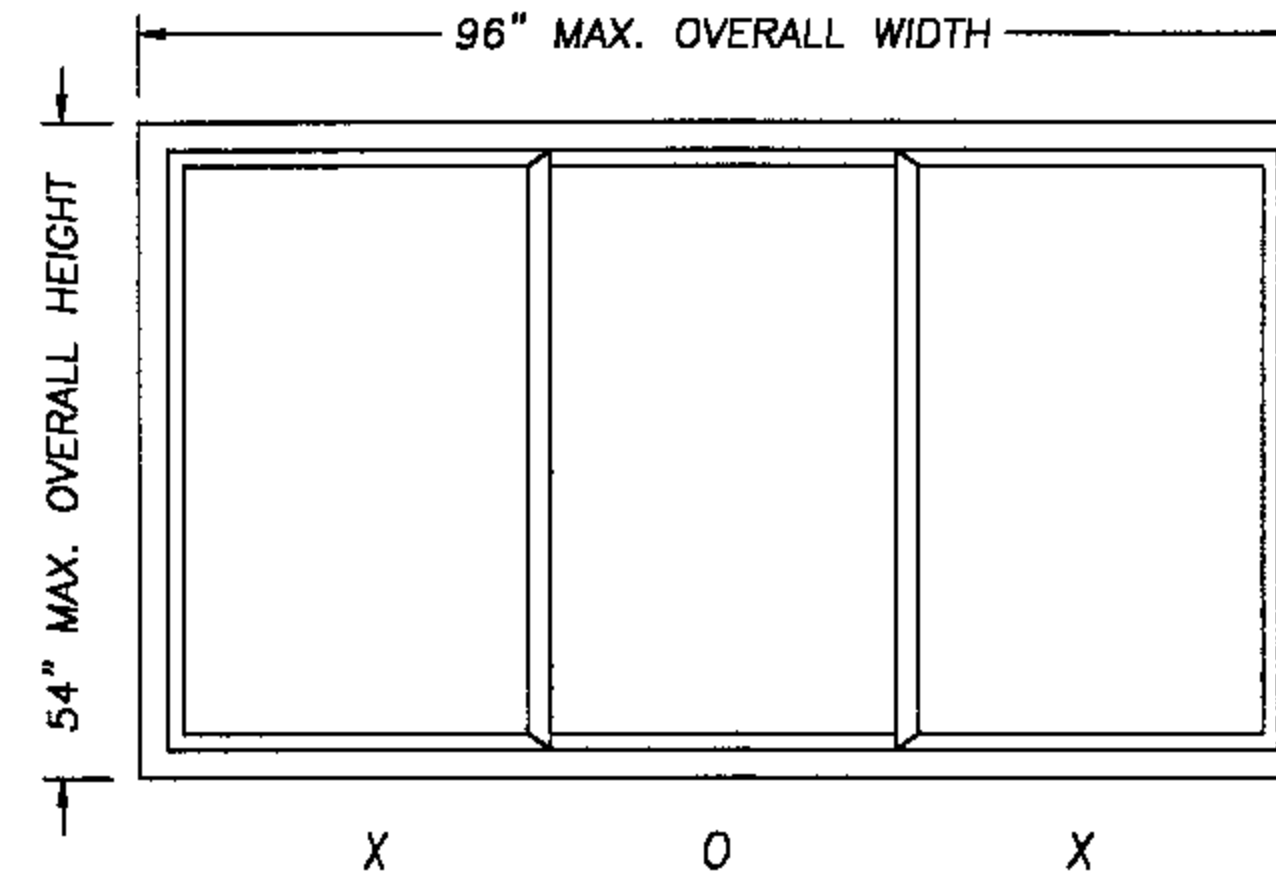


DESIGN PRESSURE RATING
POS. 25.0 NEG. 25.0

GLASS TABLE
7/8" INSULATED GLASS
CENTER LITE 1/8" ANN. - AIR SPACE- 1/8" ANN.
END VENT 3/32" ANN. - AIR SPACE- 3/32" ANN.

GENERAL NOTES

1. THIS PRODUCT IS DESIGNED TO COMPLY WITH THE FLORIDA BUILDING CODE.
2. PRODUCT ANCHORS SHALL BE AS LISTED AND SPACED AS SHOWN ON DETAILS.
3. WHEN THIS PRODUCT IS USED IN AN AREA REQUIRING WINDBORNE DEBRIS PROTECTION, FLORIDA BUILDING CODE APPROVED IMPACT RESISTANT SHUTTERS ARE REQUIRED.
4. MASONRY ANCHORING FOR 1x BUCK SEE SHEET 2 OF 3.
5. MASONRY ANCHORING FOR 2x BUCK SEE SHEET 3 OF 3.



DESIGN PRESSURE RATING
POS. 35.0 NEG. 35.0

GLASS TABLE
7/8" INSULATED GLASS
CENTER LITE 1/8" ANN. - AIR SPACE- 1/8" ANN.
END VENT 3/32" ANN. - AIR SPACE- 3/32" ANN.

PRODUCT DESCRIPTION

1. VINYL HORIZONTAL SLIDER WINDOW WITH MITERED AND WELDED CORNERS.
2. THE HEAD AND SIDE JAMBS ARE EXTRUDED VINYL WITH AN EXTERIOR WALL THICKNESS OF 0.070" +/- 0.008".
3. FIBERGLASS PULLTRUSION REINFORCEMENT UTILIZED INSIDE ALL MEETING STILES & LOCK STILES.

Lyndon F. Schmidt
 Florida P.E. No. 43409

19506 French Lace Drive Lutz, FL 33558

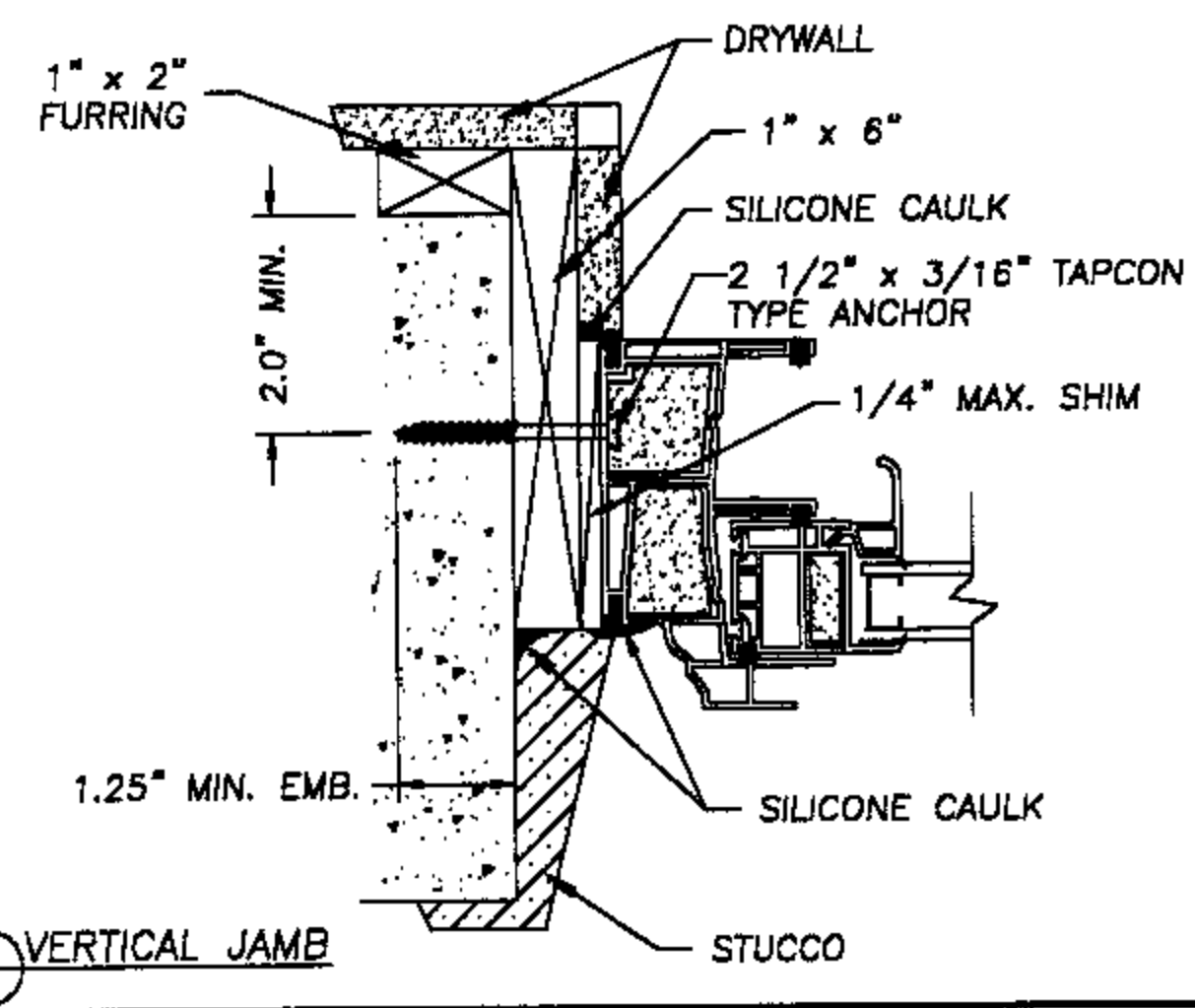
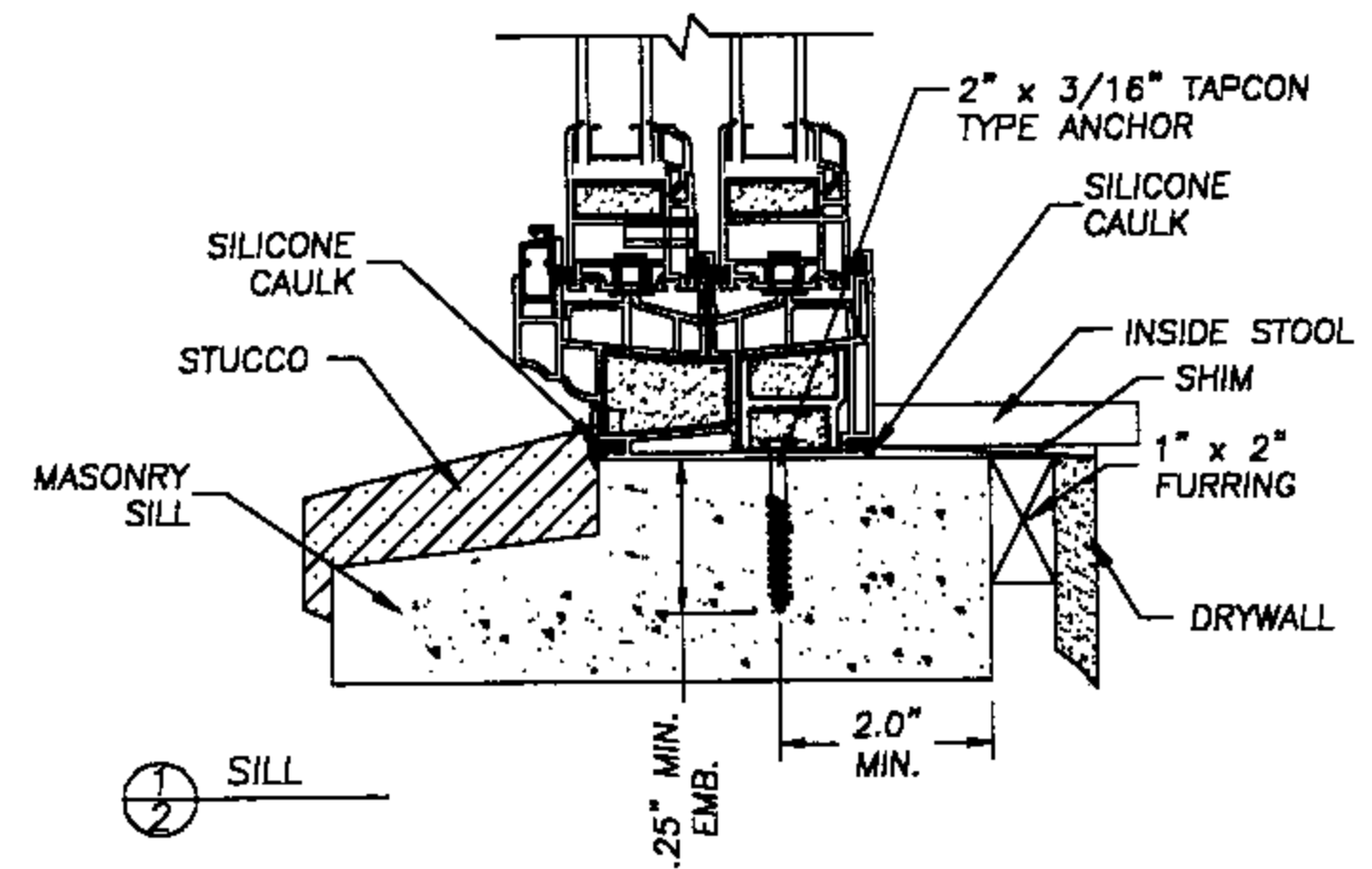
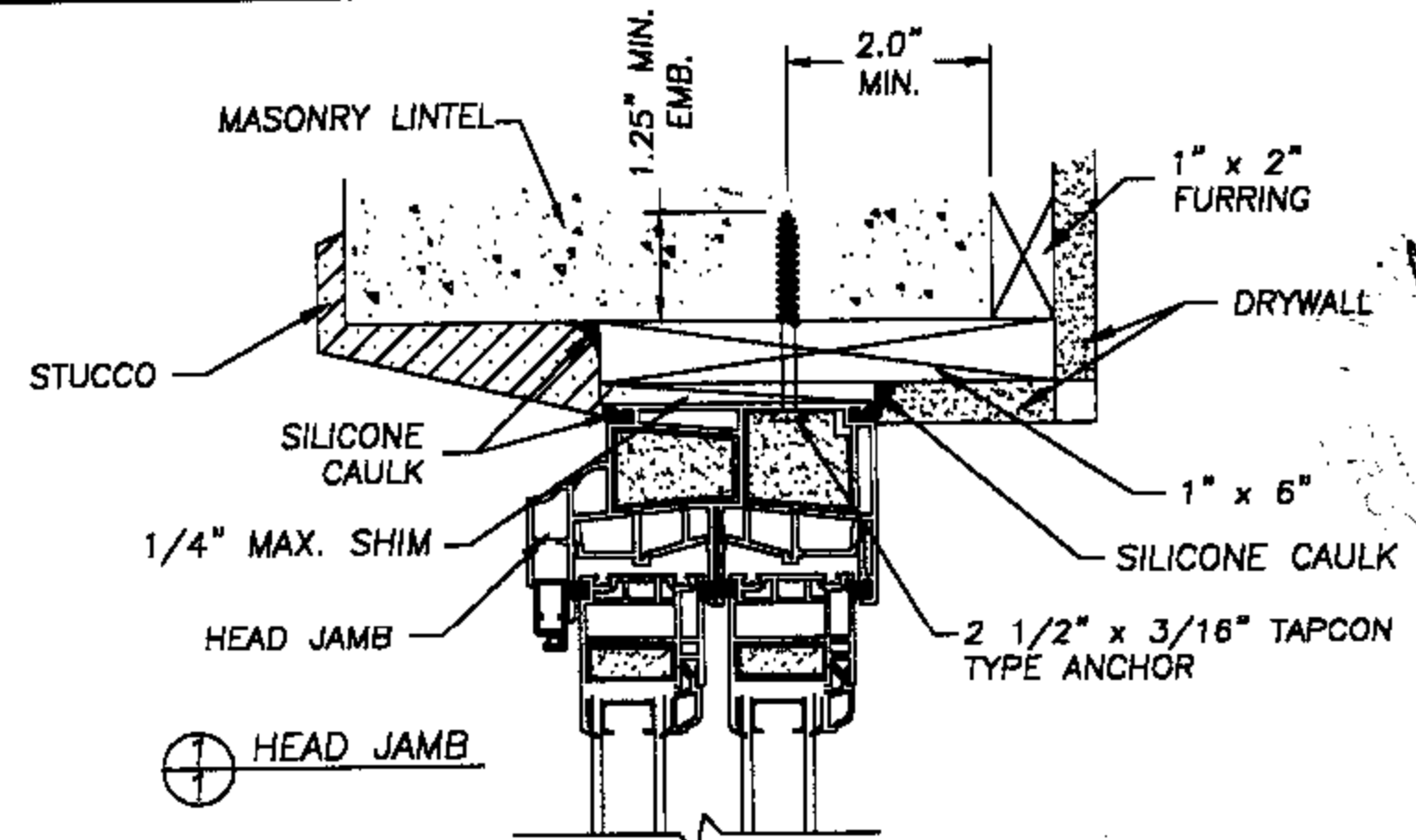
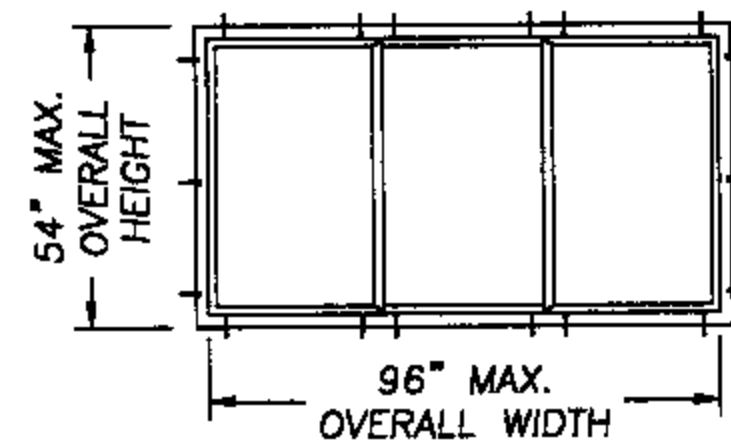
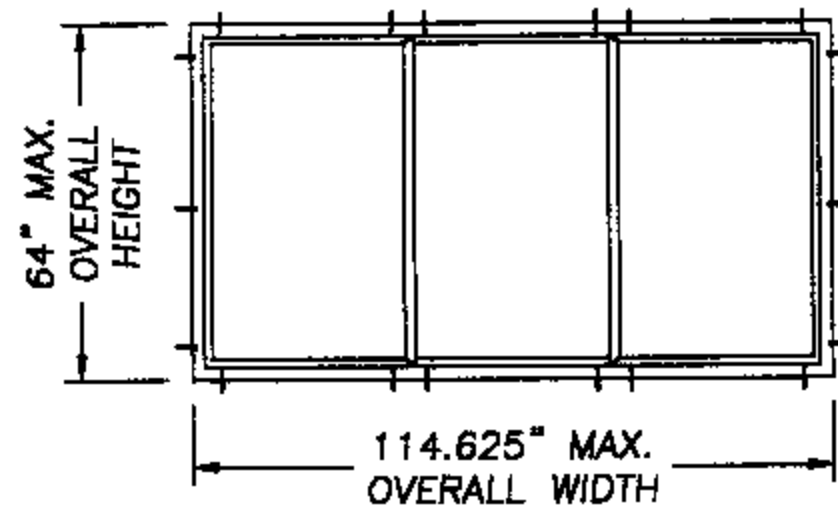
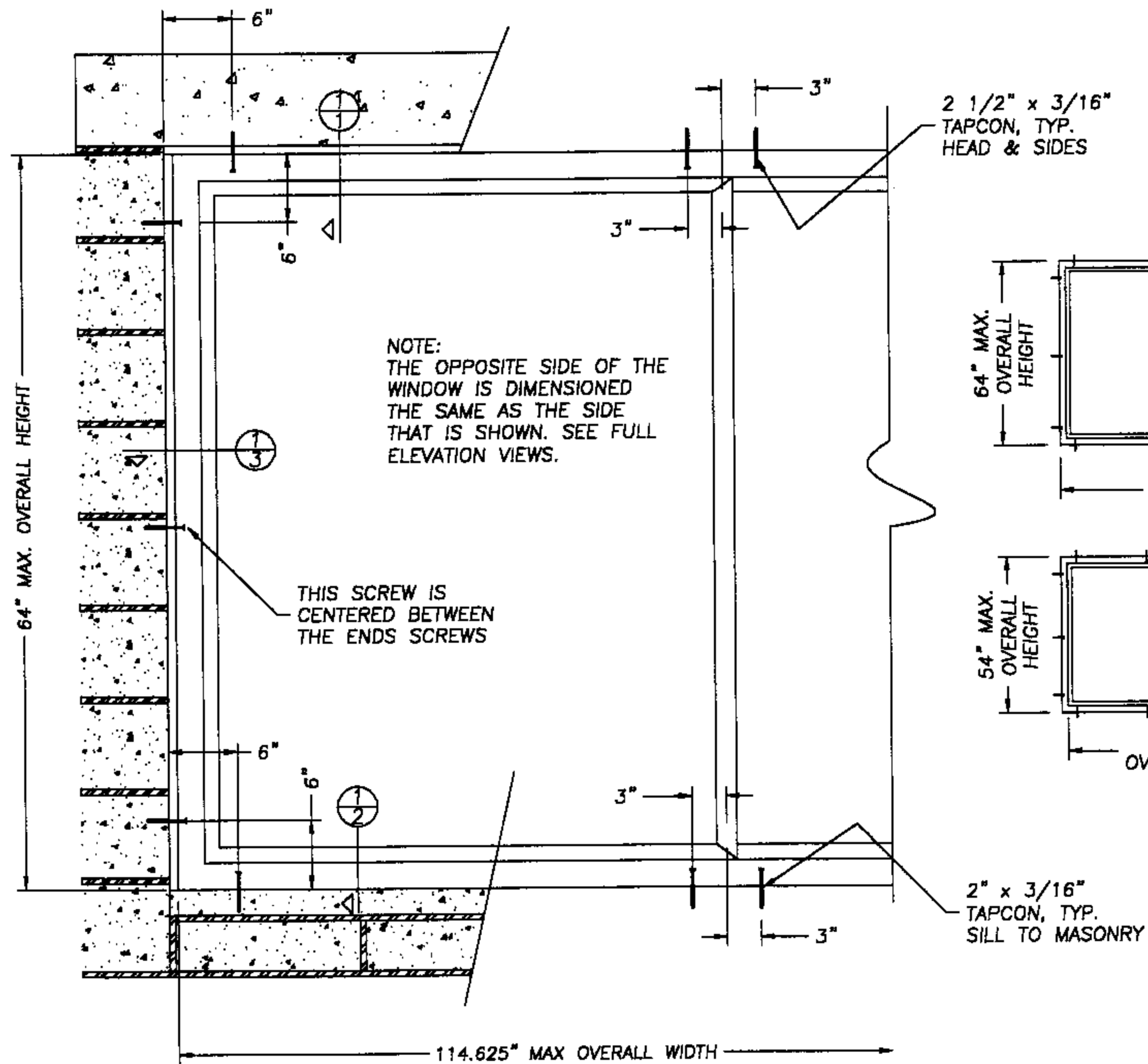
RW BUILDING
 CONSULTANTS, INC.
 813.659.9197

DATE: 8/2/02
 SCALE: N.T.S.
 DWG. BY: WLN
 CHK. BY: RW
 DRAWING NO.:
 GL-113-OC
 SHEET 1 OF 3

PRODUCT: GREAT LAKES
 EXTRUDED VINYL
 HORIZONTAL SLIDER WINDOW
 PART OR ASSEMBLY:
 GENERAL NOTES &
 TYPICAL ELEVATIONS

NO	DATE	REVISIONS	BY

Great Lakes Window
 3049 Tracy Road
 PO Box 1896
 Toledo, Ohio 43603-1896
 PH. 419.662.3505



NOTE:

Adjust Tapcon anchor locations, if necessary, to maintain a minimum 2.0" clearance from mortar joints.

L700

AUGUST 21, 2002
 Lyndon F. Schmidt
 Florida P. E. No. 43409
 19506 French Lace Drive
 Lutz, FL 33558

Great Lakes Window
 30499 Tracy Road
 PO Box 4896
 Toledo, Ohio 43603-1896
 PH. 419.662.3505

ANCHORING CROSS SECTIONS
 FOR 1x BUCK TO MASONRY
 HORIZONTAL SLIDING
 VINYL WINDOW

RW BUILDING
 CONSULTANTS, INC.
 813.659.9197

DATE: 8/2/02

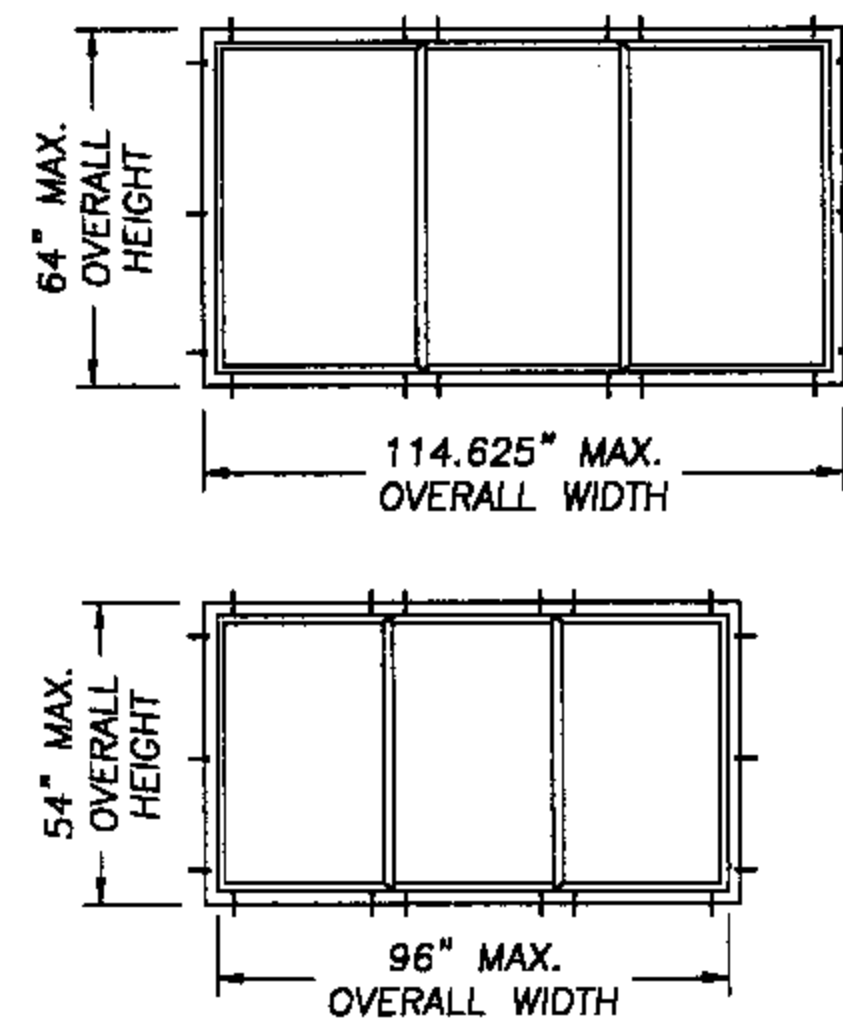
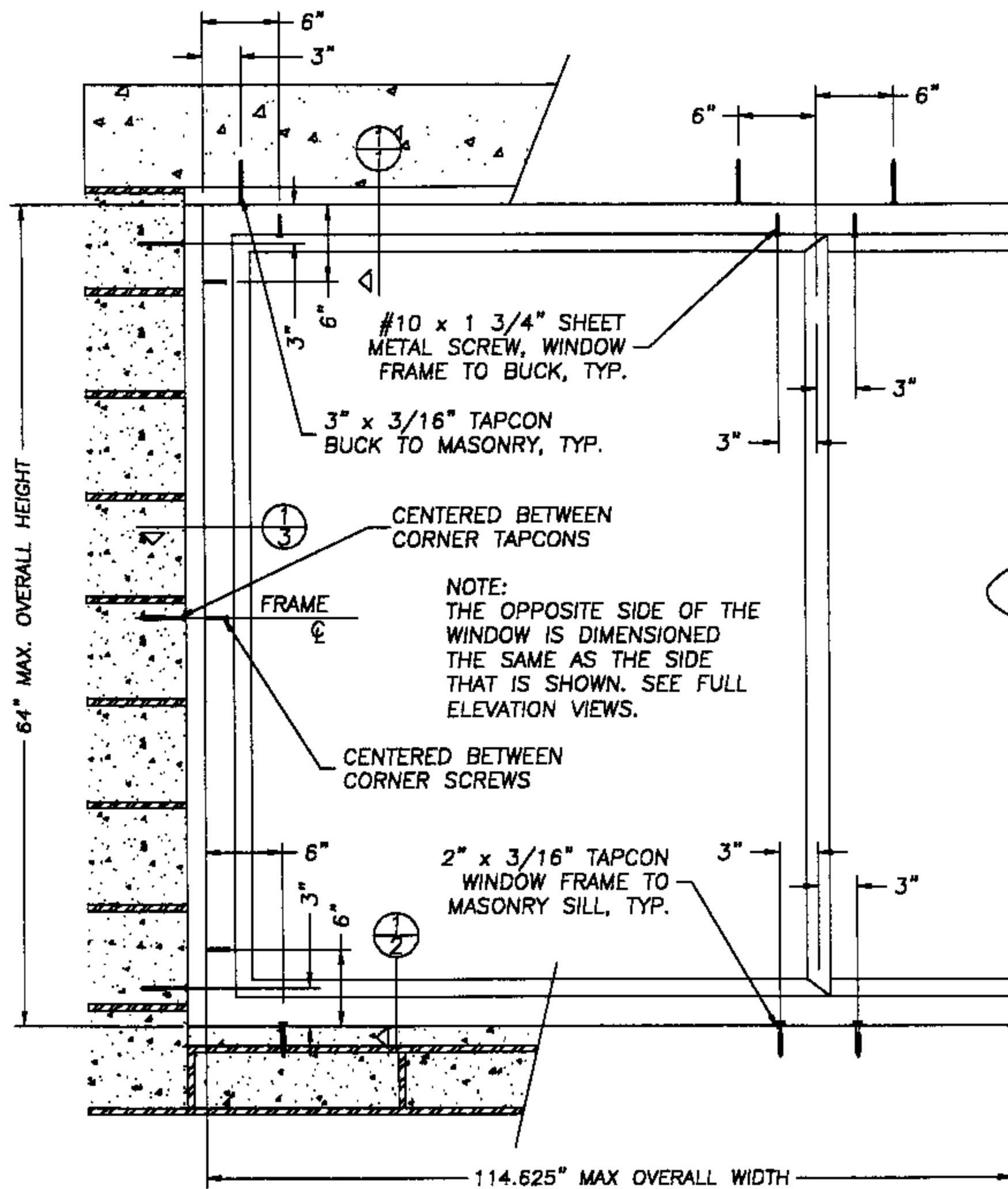
SCALE: N.T.S.

DWG. BY: WLN

CHK. BY: R.W.

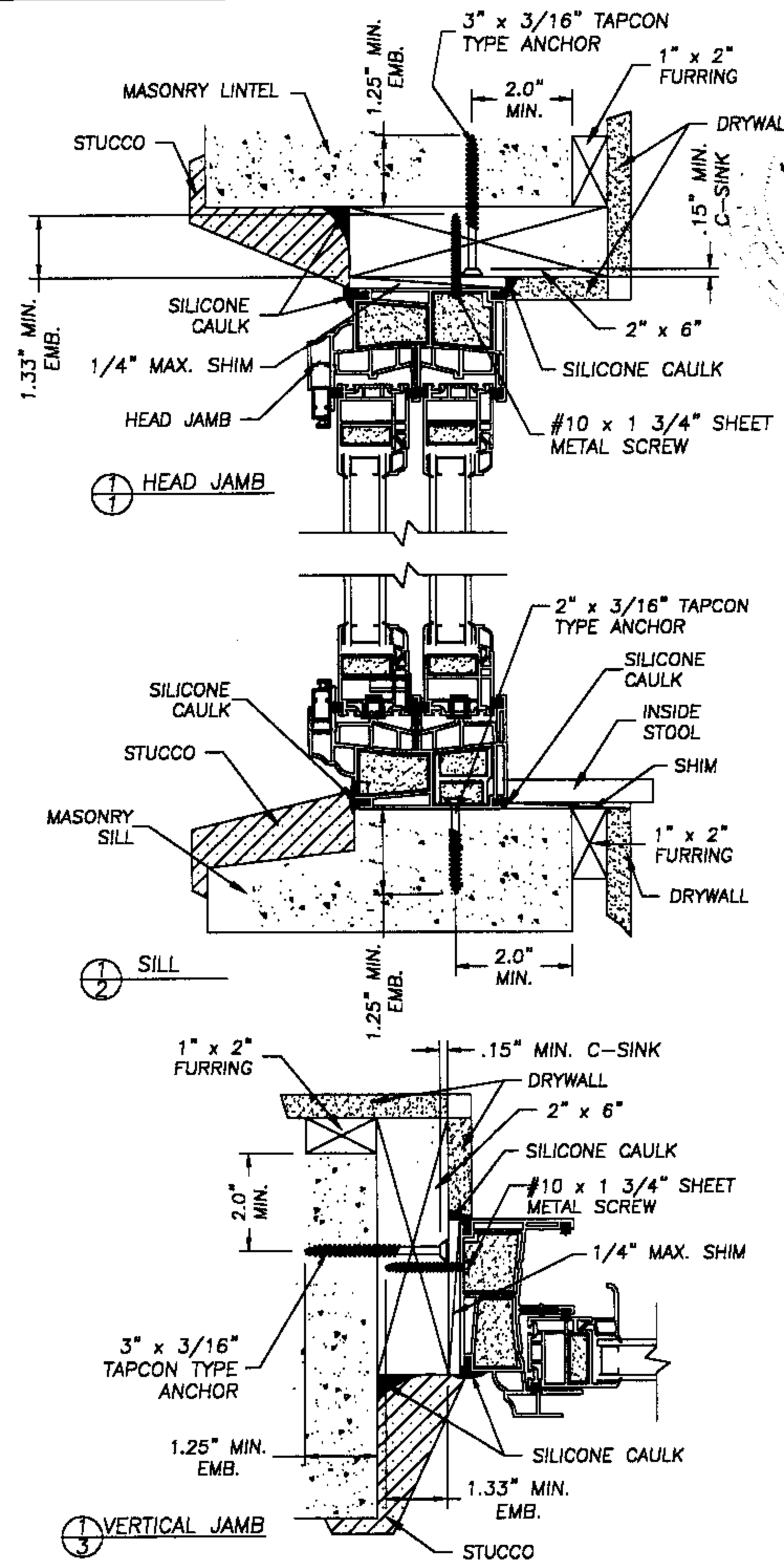
DRAWING NO.:
 GL-113-OC

SHEET 2 OF 3



NOTE:

Adjust Tapcon anchor locations, if necessary, to maintain a minimum 2.0" clearance from mortar joints.



AUGUST 21, 2002
 Lyndon F. Schmidt
 Florida P. E. No. 43409
 19506 French Lace Drive
 Lutz, FL 33558

Great Lakes Window
 30499 Tracy Road
 PO Box 4896
 Toledo, Ohio 43603-1896
 PH. 419.662.3505

ANCHORING CROSS SECTIONS
 FOR 2X BUCK TO MASONRY
 HORIZONTAL SLIDING
 VINYL WINDOW

RW BUILDING
 CONSULTANTS, INC.
 813.659.9197

DATE: 8/2/02
 SCALE: N.T.S.
 DWG. BY: WLN
 CHK. BY: R.W.
 DRAWING NO.:
 GL-113-OC
 SHEET 3 OF 3