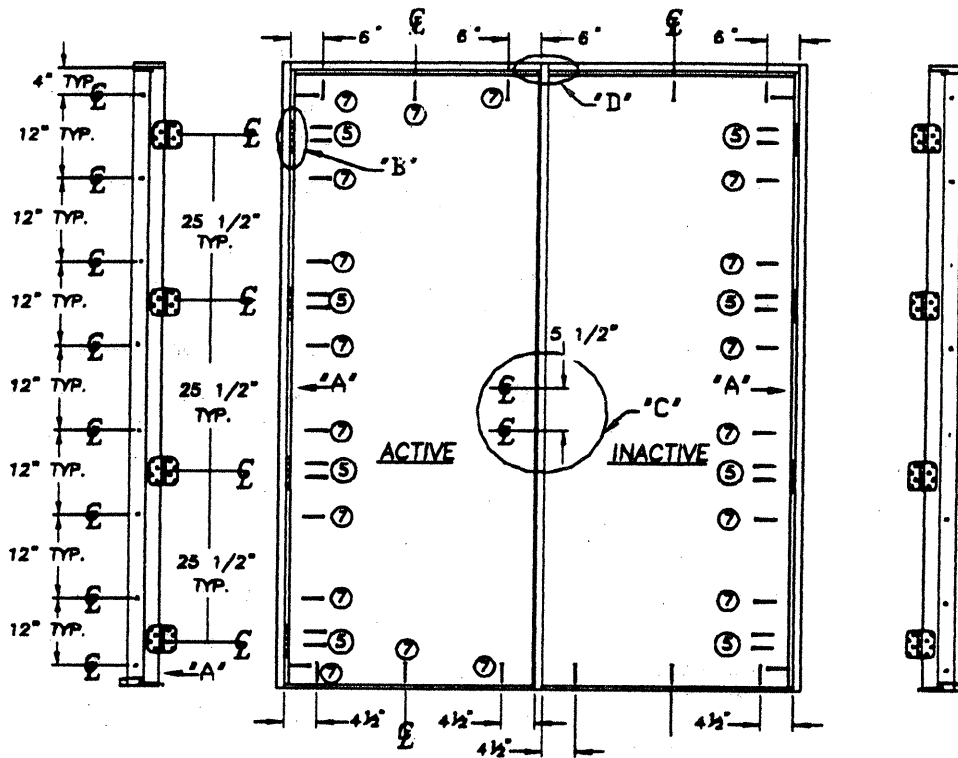
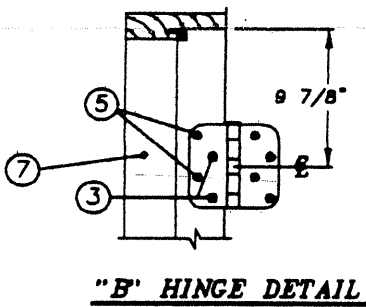


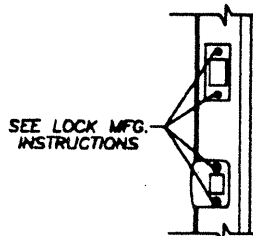
**FINAL ANCHORING OF A WOOD FRAME UP TO 6'0" X 8'0"**  
**DOUBLE OUTSWING UNIT**  
**PRODUCT ACCEPTANCE No.: D8DO227**



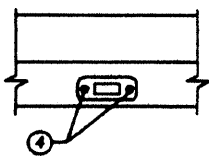
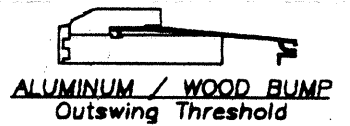
SCREW SCHEDULE	
⑤	#10 X 5/8" PHILLIPS FLAT HEAD
⑥	#10 X 1 3/4" PHILLIPS FLAT HEAD
③	#10 X 2" PHILLIPS FLAT HEAD
⑦	#10 X 3" PHILLIPS FLAT HEAD



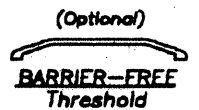
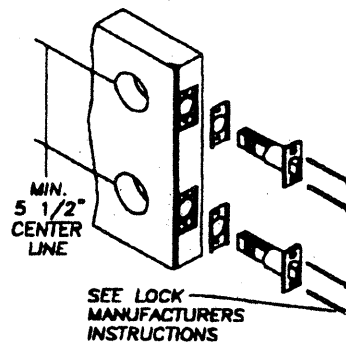
**"B" HINGE DETAIL**



**"C" LATCH DETAIL**



**"D" ASTRAGAL PLATE**



Size: up to 6'0" x 8'0"	Product Acceptance No: D8DO-227				
	Outswing (wood jamb)		Configuration: XX		
	4'0	4'8	5'0	5'4	6'0
Double Opaque	+99 -99	+89 -89	+84 -84	+78 -78	+70 -70
Double Glazed (Door does not meet Missile Impact) Test # 210-2024,10,11,12	+99 -99	+89 -89	+84 -84	+78 -78	+70 -70
	Mfg. by: Nan Ya Plastics / Plastpro			Livingston, NJ 07039	