

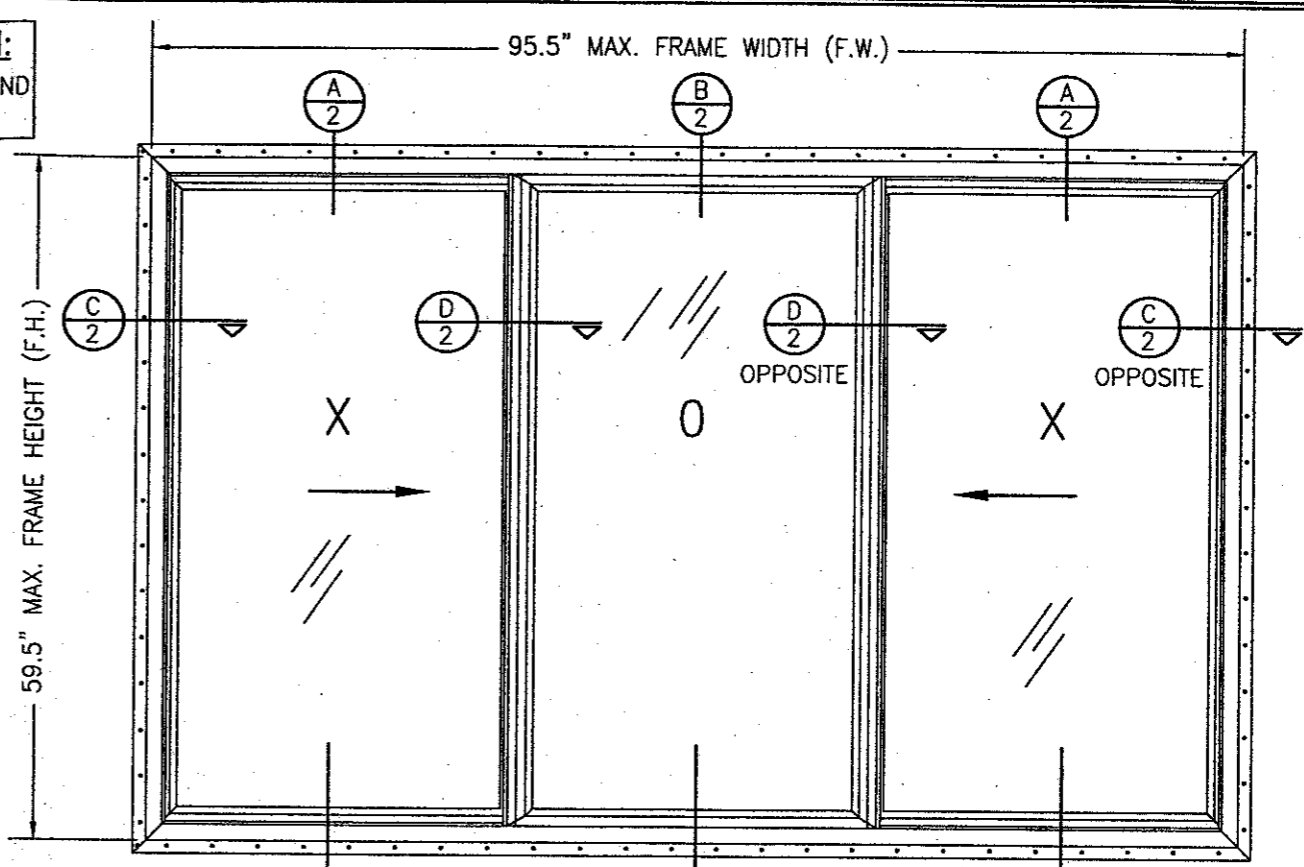
EXTERIOR ELEVATION
2-PANEL SLIDING WINDOW
 SCALE: 3/4"=1'-0"

NAIL FIN MOUNT CONDITION IS SHOWN IN THIS ELEVATION. FOR OTHER MOUNTING OPTIONS (CLIP MOUNT), SEE DETAILS ON SHEET 2.

CORNER CONSTRUCTION:
 1. ALL CORNERS ARE MITERED AND FULLY WELDED

ALL CONFIGURATIONS OF 2 & 3-PANEL WINDOWS MANUFACTURED BY HURD MILLWORK ARE ACCEPTABLE AND ARE SIMILAR TO THOSE ELEVATIONS SHOWN.

MULLION NOTE:
 THESE WINDOWS MAY BE MULLIONED TOGETHER PROVIDING THEY ARE DONE SO PER MULLION DRAWING NO. 1110 BY W. W. SCHAEFER ENGINEERING & CONSULTING, P.A. OR THE MULLIONS USED ARE CERTIFIED BY A REGISTERED ENGINEER.



EXTERIOR ELEVATION
3-PANEL SLIDING WINDOW
 SCALE: 3/4"=1'-0"

SEE 2-PANEL ELEVATION FOR DETAIL NOT SHOWN.

ALLOWABLE DESIGN PRESSURE	
POSITIVE	NEGATIVE
25 PSF	25 PSF

FRAME ANCHOR REQUIREMENTS TABLE			
FIN SCREWS			
OPENING TYPE (SUBSTRATE)	JAMB TO OPENING FASTENER TYPE	MINIMUM EMBEDMENT	MINIMUM EDGE DIST.
2X_ WOOD FRAME OR BUCK	2" X 11GA. ROOFING NAILS	1 7/8"	1/2"
2X_ WOOD FRAME OR BUCK	NO. 8 SMS SCREW	1 1/8"	1/2"
* SHEAR/CLIP SCREWS			
2X_ WOOD FRAME OR BUCK	NO. 8 SMS SCREW	1 1/4"	3/4"
CMU/CONCRETE	(1) 3/16" CONCRETE SCREWS	1 1/4"	2"

(1) CONCRETE SCREWS SHALL BE ITW RAMSET/RED HEAD OR ELCO TAPCONS, HILTI KWIK-CON II OR POWERS RAWL TAPPER. (HARDENED STEEL OR S.S.)

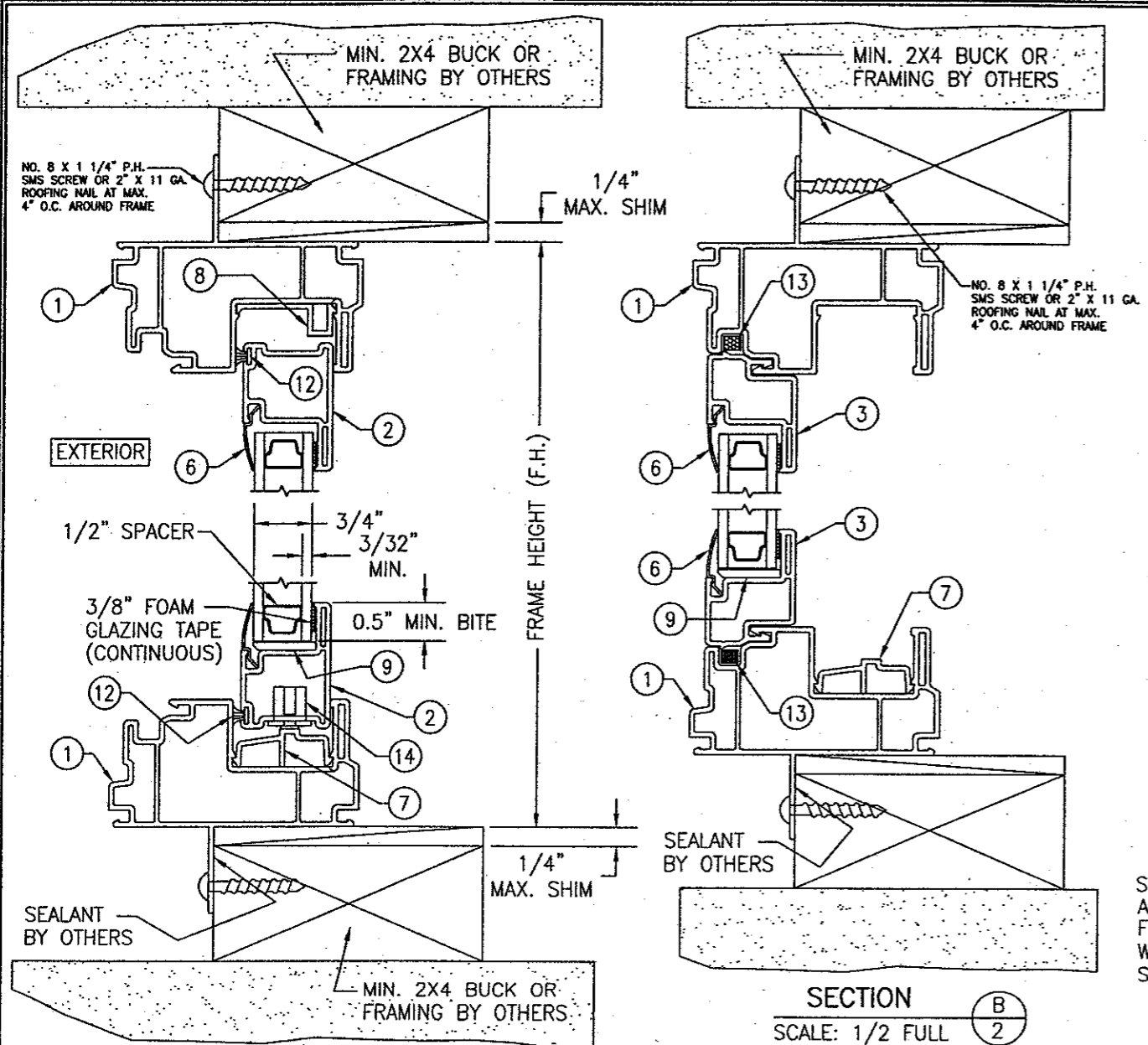
* ANCHOR NOTE: FRAME MAY BE EITHER FIN OR CLIP MOUNTED TO THE OPENING. WHEN FIN MOUNTED, THE ATTACHMENT OF THE FIN SHALL BE TO A MIN. 2X4 NO. 3 SOUTHERN PINE WOOD MEMBER (FRAMING OR BUCK). WHEN CLIP MOUNTED, THE ATTACHMENT MAY BE TO A MIN NO. 3 SOUTHERN PINE BUCK OR FRAMING MEMBER OR DIRECTLY TO A BLOCK/CONCRETE WALL (USE NO. 8 SCREWS WHEN TO WOOD AND 3/16" CONCRETE SCREWS WHEN TO BLOCK/CONCRETE). IF THE OPENING CONDITIONS REQUIRE THAT A SPACER BE USED BETWEEN THE FRAME AND SUPPORTING SUBSTRATE, THE SPACER MUST BE A CONTINUOUS WOOD MEMBER AND THE WINDOW FRAME MUST BE CLIP MOUNTED TO THE OPENING WITH THE CLIP SCREWS RUNNING THROUGH THE SPACER AND INTO THE SUPPORTING SUBSTRATE.

IF CLIP MOUNTED, THE CLIPS MUST BE PLACED WITHIN 6" OF THE FRAME CORNERS AND SPACED MAX. 16" O.C.

GENERAL NOTES

1. THESE WINDOW SYSTEMS HAVE BEEN TESTED, ANALYZED AND APPROVED FOR DESIGN PRESSURES NOT TO EXCEED THOSE SHOWN IN THE "ALLOWABLE DESIGN LOADS" TABLE.
2. BUCKING, OPENINGS & BUCKING FASTENERS MUST BE PROPERLY DESIGNED & INSTALLED TO TRANSFER WIND LOADS TO THE STRUCTURE.
3. ALL HARDWARE & FASTENERS SHALL BE IN ACCORDANCE WITH THESE DRAWINGS & MAY NOT VARY UNLESS SPECIFICALLY MENTIONED ON THE DRAWINGS.
4. THESE WINDOW SYSTEMS HAVE BEEN DESIGNED IN ACCORDANCE WITH & MEET THE REQUIREMENTS OF THE FLORIDA BUILDING CODE (F.B.C.).
5. THESE WINDOWS HAVE BEEN TESTED IN ACCORDANCE WITH AAMA, NWWDA 101 AND I.S. 2-97 "VOLUNTARY SPECIFICATIONS FOR ALUMINUM, VINYL (PVC) AND WOOD WINDOWS AND GLASS DOORS." REFERENCE TEST REPORT NO.'S 06-30288.01 & 06-30299.01 BY ARCHITECTURAL TESTING, INC. & 180-6154 BY STORK TWIN CITY TESTING, INC.
6. TESTS COMPLETED INCLUDE AIR INFILTRATION PER ASTM E283-91, WATER RESISTANCE PER ASTM E547-96, UNIFORM LOAD STRUCTURAL PER ASTM 330-96 AND FORCED ENTRY PER ASTM F 588-97.
7. THESE WINDOW SYSTEMS ARE NON-IMPACT RATED AND MUST BE SHUTTERED WHERE REQUIRED BY CODE.
8. ALL WINDOW SIZES AND CONDITIONS SPECIFIED HAVE BEEN VERIFIED WITH THE TEST REPORTS. ALL COMPONENTS HAVE BEEN CHECKED, INCLUDING GLASS TO ASTM E-1300-00, TO SUPPORT THE LOADS AS SPECIFIED IN THE LOAD TABLE.
9. GLASS USED WITH ALL TESTED UNITS WAS 3/4" I.G. WITH EITHER 1/8" ANNEALED OR 3/32" ANNEALED GLASS PANE. EITHER IS ACCEPTABLE FOR ALL WINDOWS.

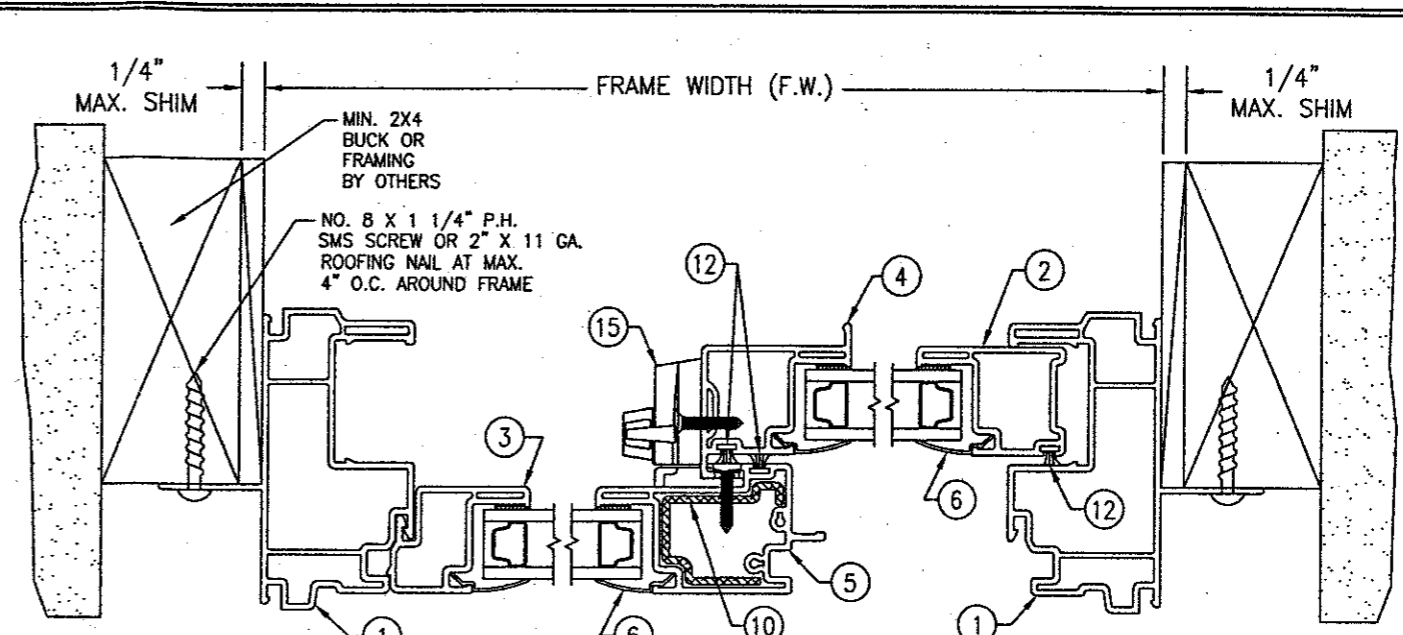
DRAWN BY: W.W.S.	CHECKED BY: W.W.S.
PLOT: 1-16	DATE: 07/08/02
DATE	BY
REVISION DESCRIPTION	NO.
DRAWING TITLE VINYL PREMIUM SERIES SLIDING NON-IMPACT WINDOWS (VPSLW)	
MANUFACTURER HURD MILLWORK CO., INC. 575 S. WHELLEN AVE. MEDFORD, WI 54451 800-433-4873	
CONSULTANTS W. W. SCHAEFER ENGINEERING & CONSULTING, P.A. 600 SANDTREE DRIVE, SUITE 203B PALM BEACH GARDENS, FL 33403 PHONE: 561-775-4902 FAX: 561-775-4903	
CERTIFICATION WARREN W. SCHAEFER, P.E. P.E. NO. 44135	
DRAWING NO. 1128	REV.
SHEET NO. 1 OF 3	



SECTION A
SCALE: 1/2 FULL

SECTION B
SCALE: 1/2 FULL

NOTE: FINISHES ARE TO BE AS REQ'D BY OTHERS.



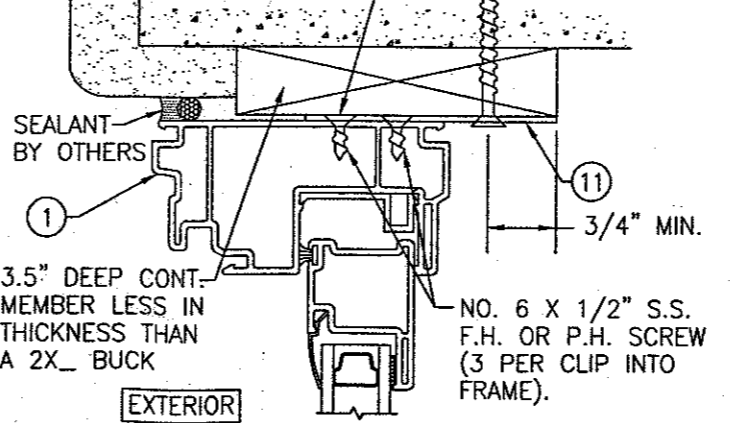
SECTION C
SCALE: 1/2 FULL

SECTION D
SCALE: 1/2 FULL

SECTION E
SCALE: 1/2 FULL

SEAL AROUND THIS SCREW AT SILL CLIPS, BETWEEN THE FRAME AND CLIP, TO AVOID WATER INFILTRATION FROM SILL WEEP DRAINAGE.

FRAME ANCHOR PER ANCHOR REQUIREMENTS TABLE ON SHEET 1 (2 PER CLIP)



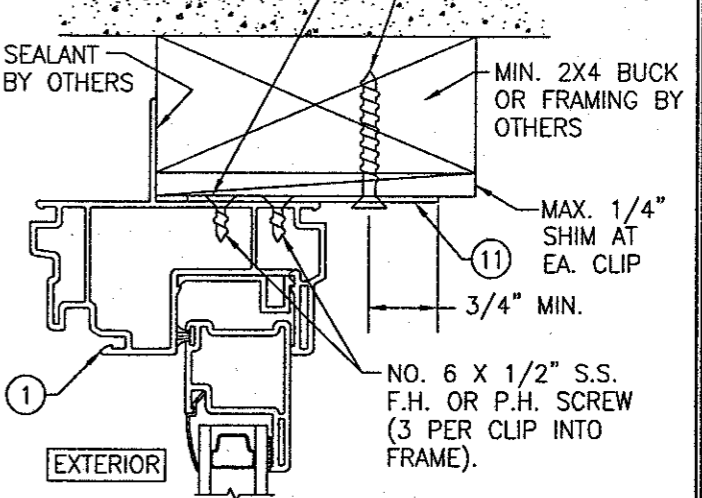
OPTIONAL DIRECT MOUNT DETAIL

HEAD JAMB SHOWN; OTHER JAMBS SAME
SEE SECTIONS FOR DETAIL NOT SHOWN
THIS DETAIL ALSO APPLIES FOR FRAMED OR BUCKED OPENINGS WHEN A SPACER SECTION MUST BE USED TO BUILD OUT THE FRAMED/BUCKED OPENING.

NOTE: WHEN CLIP MOUNTED, THE FIN MAY BE REMOVED.

SEAL AROUND THIS SCREW AT SILL CLIPS, BETWEEN THE FRAME AND CLIP, TO AVOID WATER INFILTRATION FROM SILL WEEP DRAINAGE.

FRAME ANCHOR PER ANCHOR REQUIREMENTS TABLE ON SHEET 1 (2 PER CLIP)

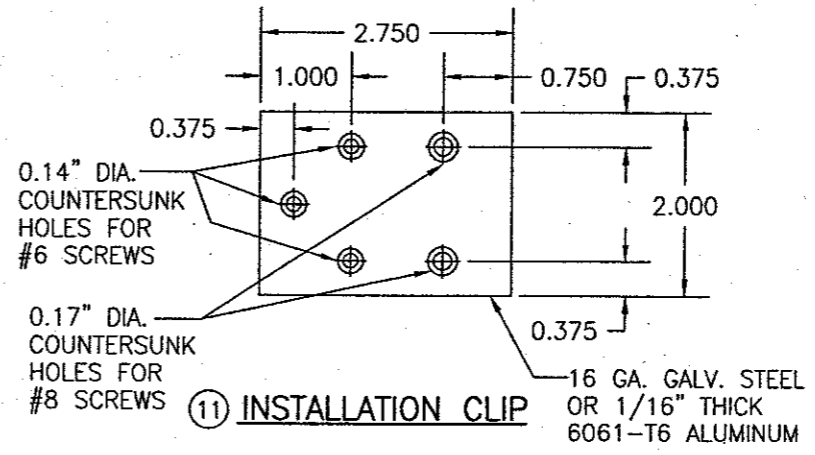
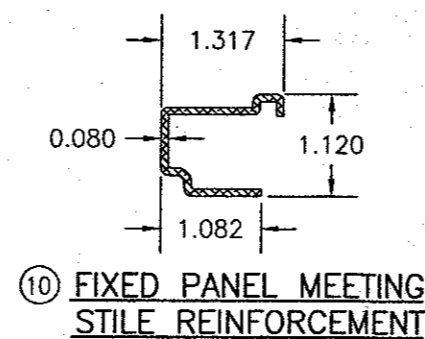
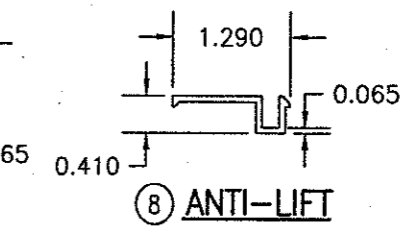
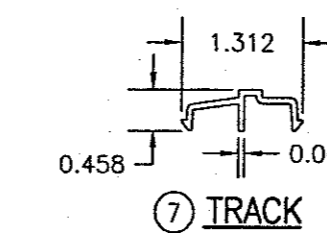
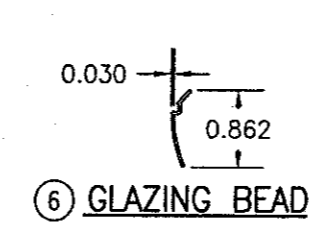
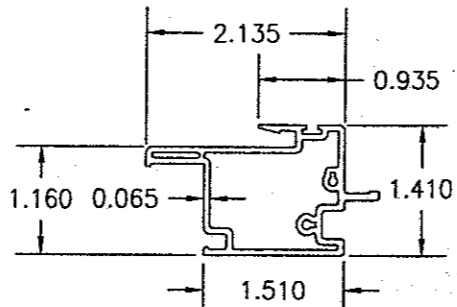
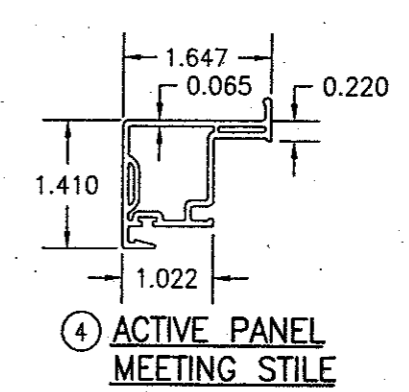
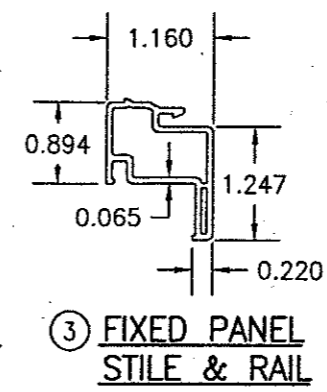
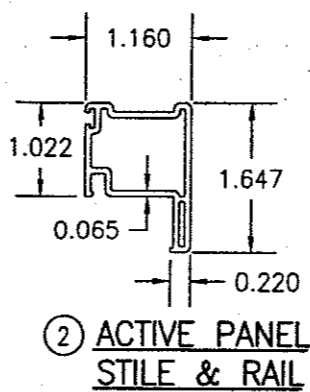
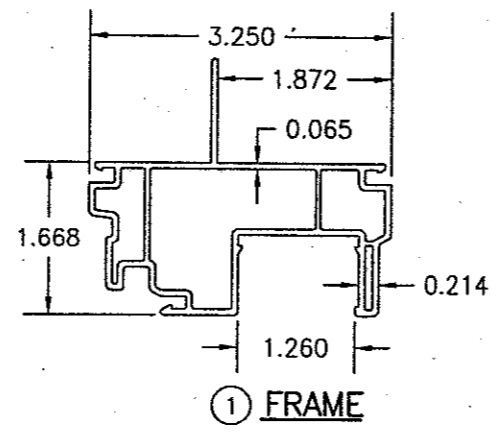


OPTIONAL CLIP MOUNT DETAIL

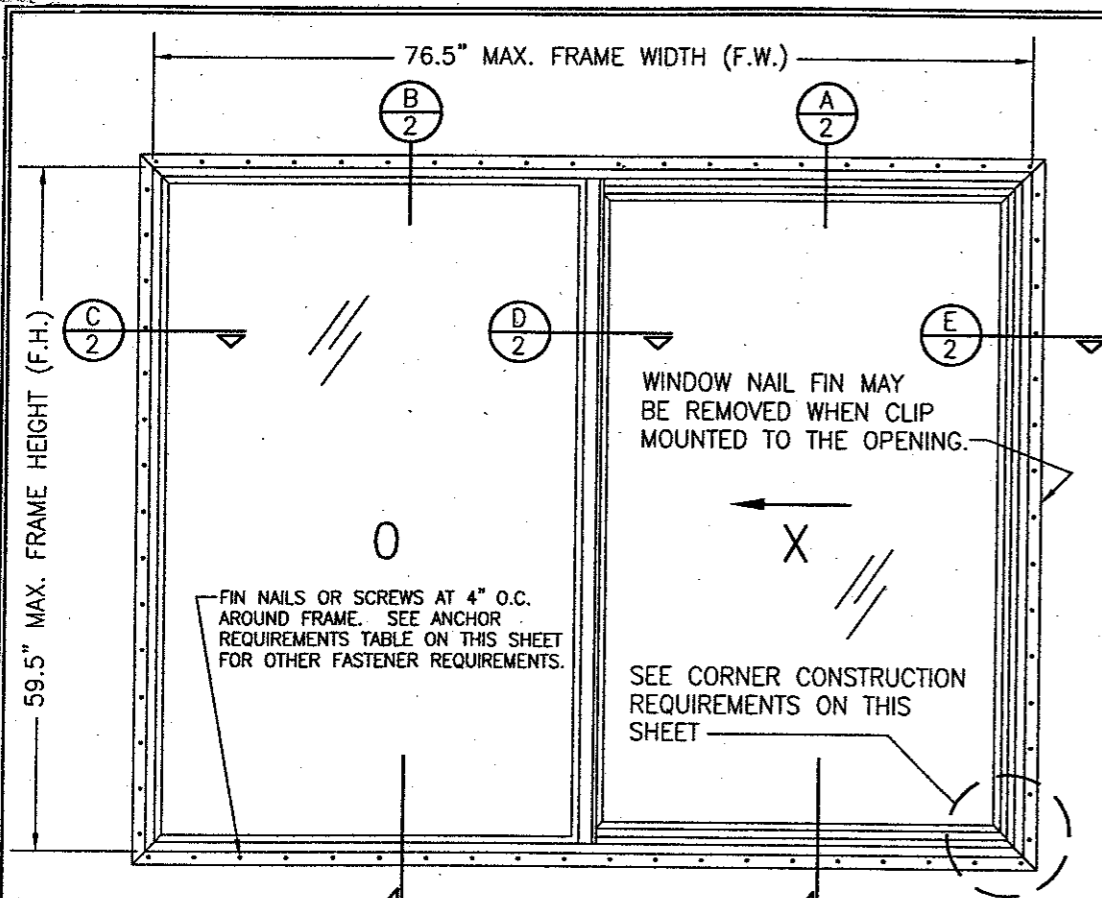
HEAD JAMB SHOWN; OTHER JAMBS SAME
SEE SECTIONS FOR DETAIL NOT SHOWN

DRAWN BY: W.W.S.		CHECKED BY: W.W.S.	
PLOT: 1=2		DATE: 07/08/02	
NO.	REVISION DESCRIPTION	DATE	BY
DRAWING TITLE VINYL PREMIUM SERIES SLIDING NON-IMPACT WINDOWS (VPSLW)			
MANUFACTURER HURD MILLWORK CO., INC. 575 S. WHELEN AVE. MEDFORD, WI 54451 800-433-4873			
CONSULTANTS W. W. SCHAEFER ENGINEERING & CONSULTING, P.A. 600 SANDTREE DRIVE, SUITE 203B PALM BEACH GARDENS, FL 33403 PHONE: 561-775-4802 FAX: 561-775-4903			
CERTIFICATION JUL 18 2002 WARREN W. SCHAEFER, P.E. P.E. NO. 44135			
DRAWING NO. 1128		REV.	
SHEET NO. 2		OF 3	

ITEM #	PART	ITEM DESCRIPTION	MANUFACTURER/NOTES
PARTS			
1	7259	FRAME	PVC
2	7260	ACTIVE PANEL STILE & RAIL	PVC
3	7253	FIXED PANEL STILE & RAIL	PVC
4	7250	ACTIVE PANEL MEETING STILE	PVC
5	7249	FIXED PANEL MEETING STILE	PVC
6	6177	GLAZING BEAD	PVC
7	6716	BASE TRACK	PVC
8	6226	ANTI-LIFT	PVC
9	6555	GLASS SETTING BLOCK	PVC
10	7249.1	FIXED PANEL MEETING STILE REINF.	6063-T5 ALUMINUM
11	-	INSTALLATION CLIP (WITHIN 6" OF CORNERS & MAX. 16" O.C.)	16 GA. GALVANIZED STEEL OR 1/16" 6061-T6 ALUMINUM
SEALS			
12	18725058	WEATHER SEAL	AMESBURY 18758GYQB
13	-	FOAM INSULATION	
HARDWARE & MISCELLANEOUS			
14	4234-1000	ROLLER ASSEMBLY	REFLECTOLITE
15	17.23	CAM LOCK	TRUTH



DRAWING TITLE VINYL PREMIUM SERIES SLIDING NON-IMPACT WINDOWS (VPSLW)	DRAWN BY: W.W.S.	CHECKED BY: W.W.S.	DATE: 07/08/02
PLANT: 1-2	REVISION DESCRIPTION		
NO.	DATE	BY	NO.
MANUFACTURER HURD MILLWORK CO., INC. 575 S. HELEN AVE. MEDFORD, WI 54451 800-433-4873			
CONSULTANTS W. W. SCHAEFER ENGINEERING & CONSULTING, P.A. 600 SANDTREE DRIVE, SUITE 203B PALM BEACH GARDENS, FL 33403 PHONE: 561-775-4902 FAX: 561-775-4903	CERTIFICATION WARREN W. SCHAEFER, P.E. P.E. NO. 44135		
DRAWING NO. 1128	REV.		
SHEET NO. 3 OF 3			



CORNER CONSTRUCTION:
 1. ALL CORNERS ARE MITERED AND FULLY WELDED

EXTERIOR ELEVATION
2-PANEL SLIDING WINDOW
 SCALE: 3/4"=1'-0"

NIAL FIN MOUNT CONDITION IS SHOWN IN THIS ELEVATION. FOR OTHER MOUNTING OPTIONS (CLIP MOUNT), SEE DETAILS ON SHEET 2.

MULLION NOTE:
 THESE WINDOWS MAY BE MULLED TOGETHER PROVIDING THEY ARE DONE SO PER MULLION DRAWING NO. 1110 BY W. W. SCHAEFER ENGINEERING & CONSULTING, P.A. OR THE MULLIONS USED ARE CERTIFIED BY A REGISTERED ENGINEER.

ALLOWABLE DESIGN PRESSURE	
POSITIVE	NEGATIVE
25 PSF	25 PSF

GENERAL NOTES

1. THESE WINDOW SYSTEMS HAVE BEEN TESTED, ANALYZED AND APPROVED FOR DESIGN PRESSURES NOT TO EXCEED THOSE SHOWN IN THE "ALLOWABLE DESIGN LOADS" TABLE.
2. BUCKING, OPENINGS & BUCKING FASTENERS MUST BE PROPERLY DESIGNED & INSTALLED TO TRANSFER WIND LOADS TO THE STRUCTURE.
3. ALL HARDWARE & FASTENERS SHALL BE IN ACCORDANCE WITH THESE DRAWINGS & MAY NOT VARY UNLESS SPECIFICALLY MENTIONED ON THE DRAWINGS.
4. THESE WINDOW SYSTEMS HAVE BEEN DESIGNED IN ACCORDANCE WITH & MEET THE REQUIREMENTS OF THE FLORIDA BUILDING CODE (F.B.C.).
5. THESE WINDOWS HAVE BEEN TESTED IN ACCORDANCE WITH AAMA, NWWDA 101 AND I.S. 2-97 "VOLUNTARY SPECIFICATIONS FOR ALUMINUM, VINYL (PVC) AND WOOD WINDOWS AND GLASS DOORS." REFERENCE TEST REPORT NO.'S 06-30224.01 & 06-30289.01 BY ARCHITECTURAL TESTING, INC.
6. TESTS COMPLETED INCLUDE AIR INFILTRATION PER ASTM E283-91, WATER RESISTANCE PER ASTM E547-96, UNIFORM LOAD STRUCTURAL PER ASTM 330-96 AND FORCED ENTRY PER ASTM F 588-97.
7. THESE WINDOW SYSTEMS ARE NON-IMPACT RATED AND MUST BE SHUTTERED WHERE REQUIRED BY CODE.
8. ALL WINDOW SIZES AND CONDITIONS SPECIFIED HAVE BEEN VERIFIED WITH THE TEST REPORTS. ALL COMPONENTS HAVE BEEN CHECKED, INCLUDING GLASS TO ASTM E-1300-00, TO SUPPORT THE LOADS AS SPECIFIED IN THE LOAD TABLE.
9. GLASS USED WITH ALL TESTED UNITS WAS 3/4" I.G. WITH 1/8" ANNEALED.

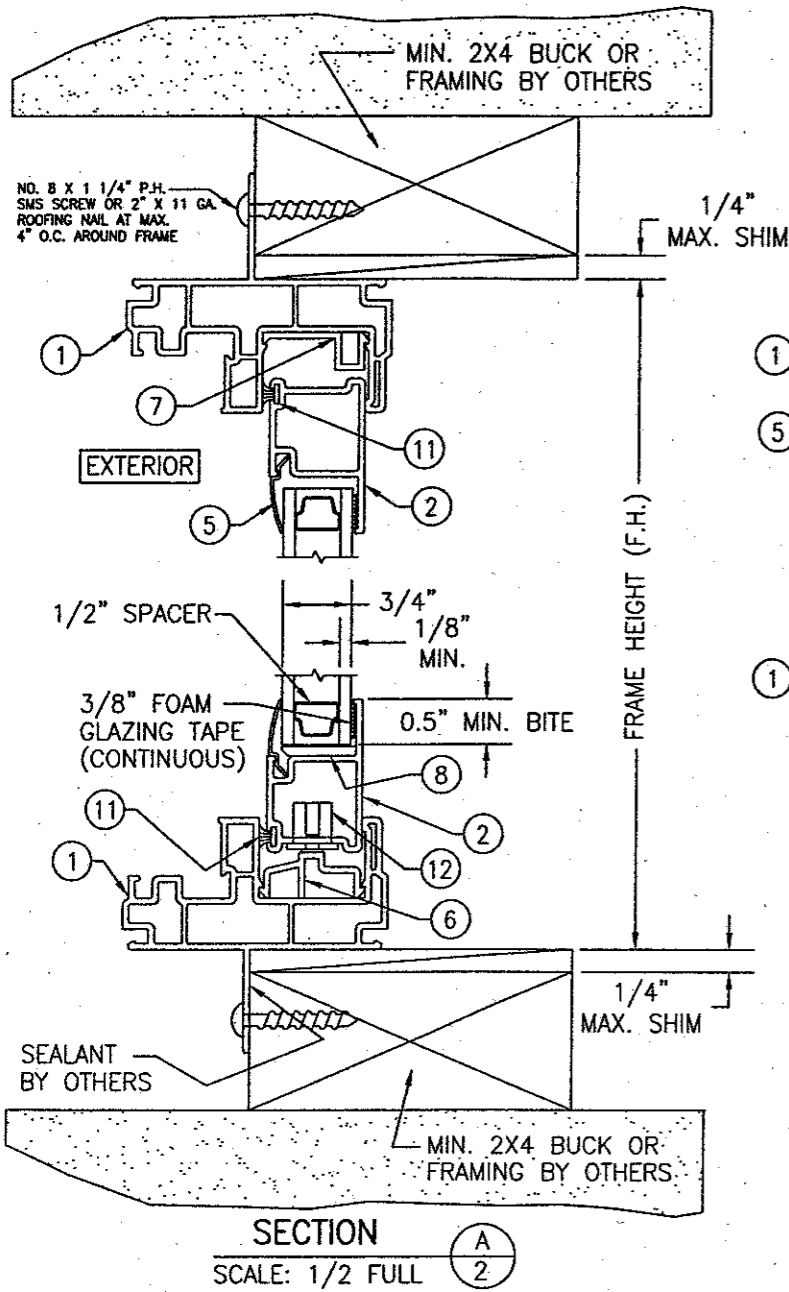
IF CLIP MOUNTED, THE CLIPS MUST BE PLACED WITHIN 6" OF THE FRAME CORNERS AND SPACED MAX. 16" O.C.

FRAME ANCHOR REQUIREMENTS TABLE			
FIN SCREWS			
OPENING TYPE (SUBSTRATE)	JAMB TO OPENING FASTENER TYPE	MINIMUM EMBEDMENT	MINIMUM EDGE DIST.
2X_ WOOD FRAME OR BUCK	2" X 11GA. ROOFING NAILS	1 7/8"	1/2"
2X_ WOOD FRAME OR BUCK	NO. 8 SMS SCREW	1 1/8"	1/2"
* SHEAR/CLIP SCREWS			
2X_ WOOD FRAME OR BUCK	NO. 8 SMS SCREW	1 1/4"	3/4"
CMU/CONCRETE	(1) 3/16" CONCRETE SCREWS	1 1/4"	2"

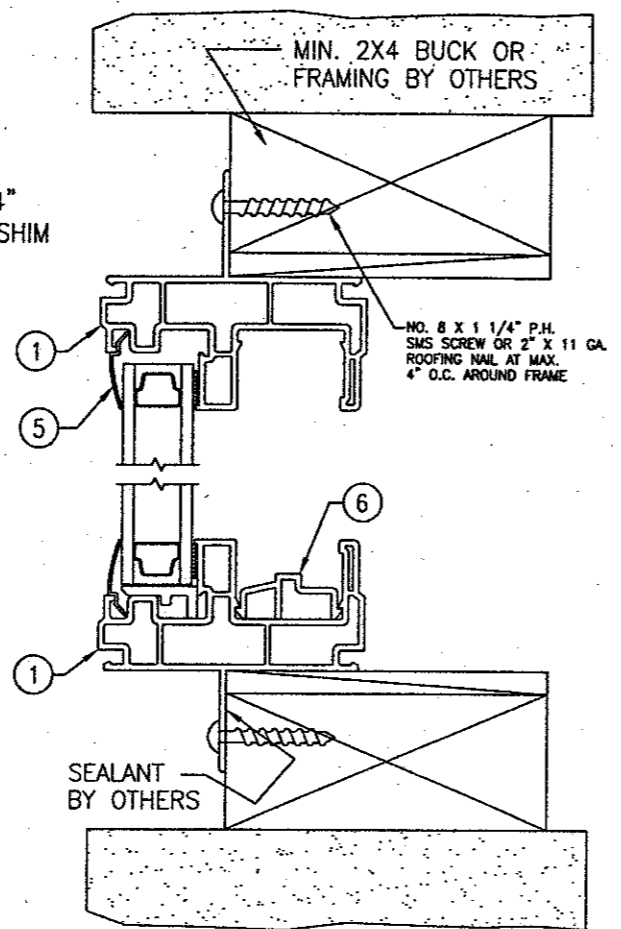
(1) CONCRETE SCREWS SHALL BE ITW RAMSET/RED HEAD OR ELCO TAPCONS, HILTI KWIK-CON II OR POWERS RAWL TAPPER. (HARDENED STEEL OR S.S.)

* ANCHOR NOTE: FRAME MAY BE EITHER FIN OR CLIP MOUNTED TO THE OPENING. WHEN FIN MOUNTED, THE ATTACHMENT OF THE FIN SHALL BE TO A MIN. 2X4 NO. 3 SOUTHERN PINE WOOD MEMBER (FRAMING OR BUCK). WHEN CLIP MOUNTED, THE ATTACHMENT MAY BE TO A MIN NO. 3 SOUTHERN PINE BUCK OR FRAMING MEMBER OR DIRECTLY TO A BLOCK/CONCRETE WALL (USE NO. 8 SCREWS WHEN TO WOOD AND 3/16" CONCRETE SCREWS WHEN TO BLOCK/CONCRETE). IF THE OPENING CONDITIONS REQUIRE THAT A SPACER BE USED BETWEEN THE FRAME AND SUPPORTING SUBSTRATE, THE SPACER MUST BE A CONTINUOUS WOOD MEMBER AND THE WINDOW FRAME MUST BE CLIP MOUNTED TO THE OPENING WITH THE CLIP SCREWS RUNNING THROUGH THE SPACER AND INTO THE SUPPORTING SUBSTRATE.

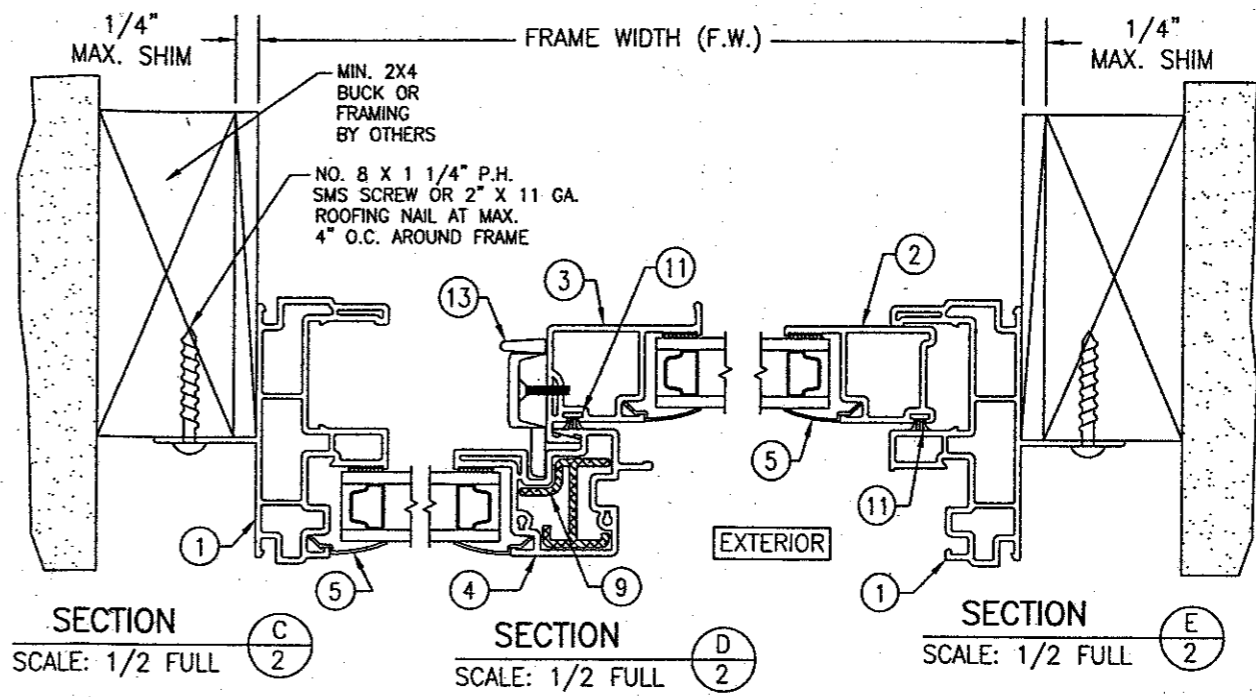
DRAWN BY: W.W.S.	CHECKED BY: W.W.S.
PLOT: 1-16	DATE: 07/08/02
NO.	REVISION DESCRIPTION
BY	DATE
DRAWING TITLE VINYL BUILDERS SERIES SLIDING NON-IMPACT WINDOWS (VPSLW)	
CONSULTANTS W. W. SCHAEFER ENGINEERING & CONSULTING, P.A. 600 SANDTREE DRIVE, SUITE 2038 PALM BEACH GARDENS, FL 33403 PHONE: 561-775-4902 FAX: 561-775-4903	MANUFACTURER HURD MILLWORK CO., INC. 575 S. WHELEN AVE. MEDFORD, WI 54451 800-433-4873
CERTIFICATION 11/18/2002 WARREN W. SCHAEFER, P.E. P.E. NO. 44135	DRAWING NO. 1129
	REV. SHEET NO. 1 OF 3



SECTION A
SCALE: 1/2 FULL



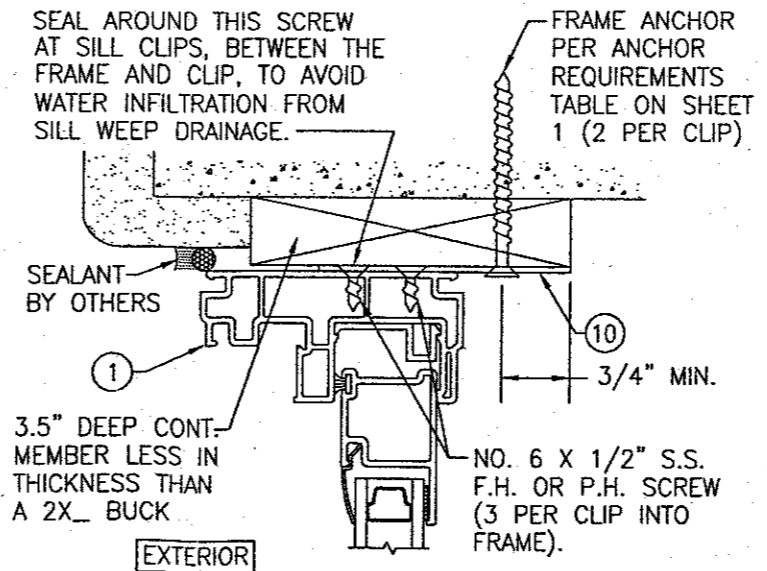
SECTION B
SCALE: 1/2 FULL



SECTION C
SCALE: 1/2 FULL

SECTION D
SCALE: 1/2 FULL

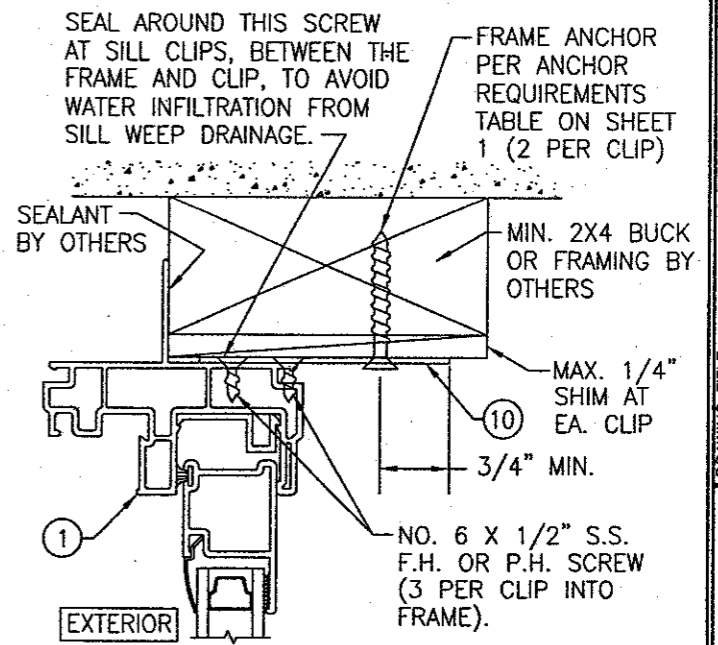
SECTION E
SCALE: 1/2 FULL



OPTIONAL DIRECT MOUNT DETAIL

HEAD JAMB SHOWN; OTHER JAMBS SAME
SEE SECTIONS FOR DETAIL NOT SHOWN
THIS DETAIL ALSO APPLIES FOR FRAMED OR BUCKED OPENINGS WHEN A SPACER SECTION MUST BE USED TO BUILD OUT THE FRAMED/BUCKED OPENING.

NOTE: WHEN CLIP MOUNTED, THE FIN MAY BE REMOVED.



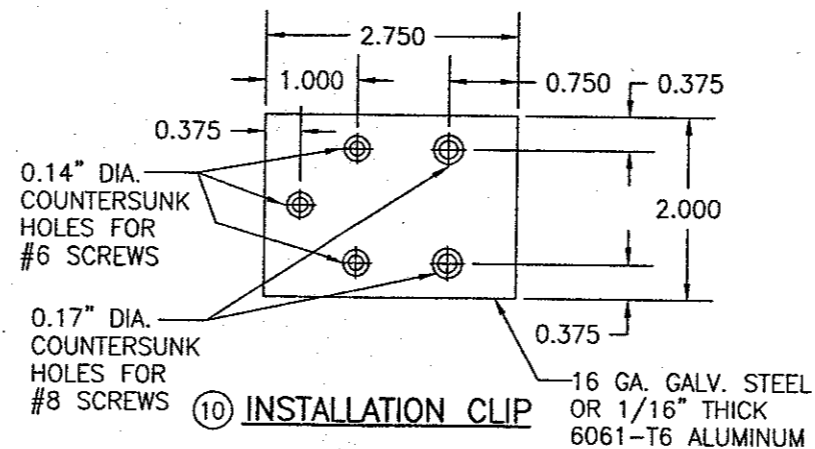
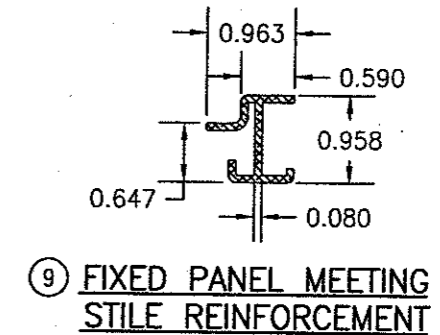
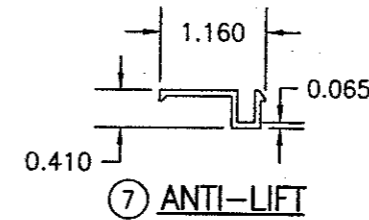
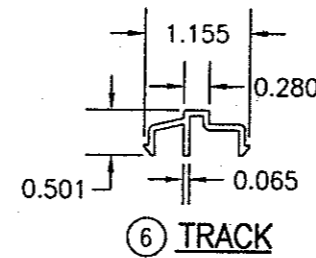
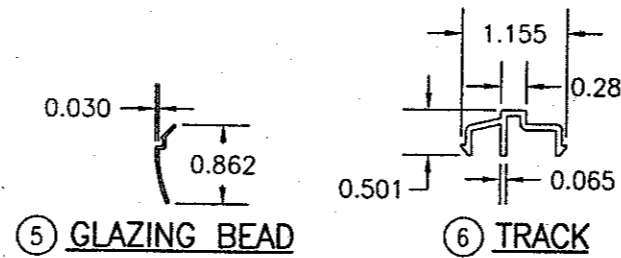
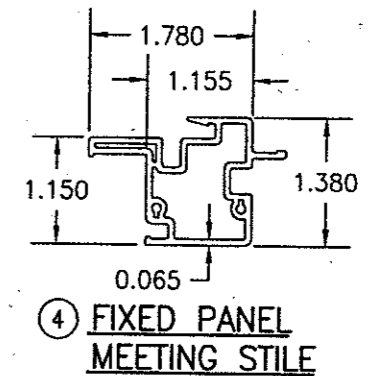
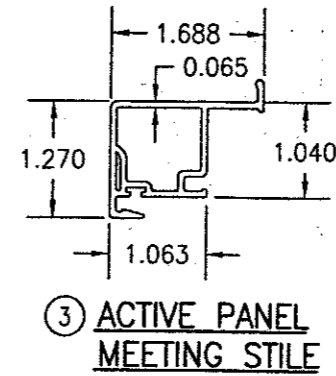
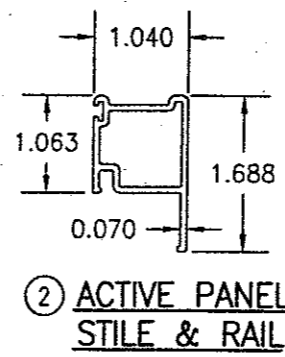
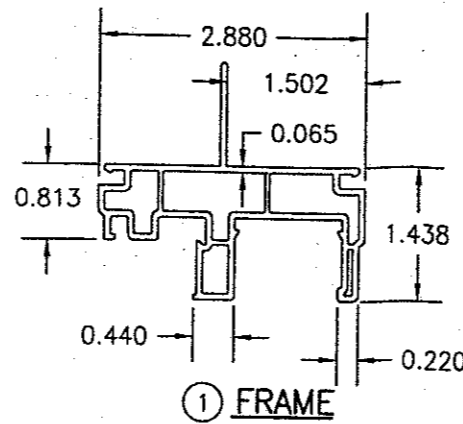
OPTIONAL CLIP MOUNT DETAIL


HEAD JAMB SHOWN; OTHER JAMBS SAME
SEE SECTIONS FOR DETAIL NOT SHOWN

NOTE: FINISHES ARE TO BE AS REQ'D BY OTHERS.

DRAWN BY: W.W.S.		CHECKED BY: W.W.S.	
PLOT: 1-2		DATE: 07/08/02	
NO.	REVISION DESCRIPTION	BY	DATE
DRAWING TITLE VINYL BUILDERS SERIES SLIDING NON-IMPACT WINDOWS (VBSLW)			
CONSULTANTS W. W. SCHAEFER ENGINEERING & CONSULTING, P.A. 600 SANDTREE DRIVE, SUITE 203B PALM BEACH GARDENS, FL 33403 PHONE: 561-775-4902 FAX: 561-775-4903		MANUFACTURER HURD MILLWORK CO., INC. 575 S. WHELEN AVE. MEDFORD, WI 54451 800-433-4873	
CERTIFICATION WARREN W. SCHAEFER, P.E. P.E. NO. 44135			
DRAWING NO. 1129		REV.	
SHEET NO. 2		OF 3	

ITEM #	PART	ITEM DESCRIPTION	MANUFACTURER/NOTES
PARTS			
1	7254	FRAME	PVC
2	7258	ACTIVE PANEL STILE & RAIL	PVC
3	7256	ACTIVE PANEL MEETING STILE	PVC
4	7255	FIXED PANEL MEETING STILE	PVC
5	6177	GLAZING BEAD	PVC
6	6538	BASE TRACK	PVC
7	6539	ANTI-LIFT	PVC
8	6555	GLASS SETTING BLOCK	PVC
9	7255.1	FIXED PANEL MEETING STILE REINF.	6063-T5 ALUMINUM
10	-	INSTALLATION CLIP (WITHIN 6" OF CORNERS & MAX. 16" O.C.)	16 GA. GALVANIZED STEEL OR 1/16" 6061-T6 ALUMINUM
SEALS			
11	18725058	WEATHER SEAL	AMESBURY 18758GYQB
HARDWARE & MISCELLANEOUS			
12	4234-1000	ROLLER ASSEMBLY	REFLECTOLITE
13	7538-186	SWEEP LOCK	ALLEN STEVENS



DRAWN BY: W.W.S.	CHECKED BY: W.W.S.	DATE:	DATE:
NO.	REVISION DESCRIPTION	BY	DATE
VINYL BUILDERS SERIES SLIDING NON-IMPACT WINDOWS (VBSLW) MANUFACTURER: HURD MILLWORK CO., INC. 575 S. WHELEN AVE. MEDFORD, WI 54451 800-433-4873			
DRAWING TITLE: VINYL BUILDERS SERIES SLIDING NON-IMPACT WINDOWS (VBSLW) CONSULTANTS: W. W. SCHAEFER ENGINEERING & CONSULTING, P.A. 600 SANDTREE DRIVE, SUITE 203B PALM BEACH GARDENS, FL 33403 PHONE: 561-775-4902 FAX: 561-775-4903			
CERTIFICATION:  WARREN W. SCHAEFER, P.E. P.E. NO. 44135			
DRAWING NO.	REV.		
1129			
SHEET NO.			
3		OF 3	