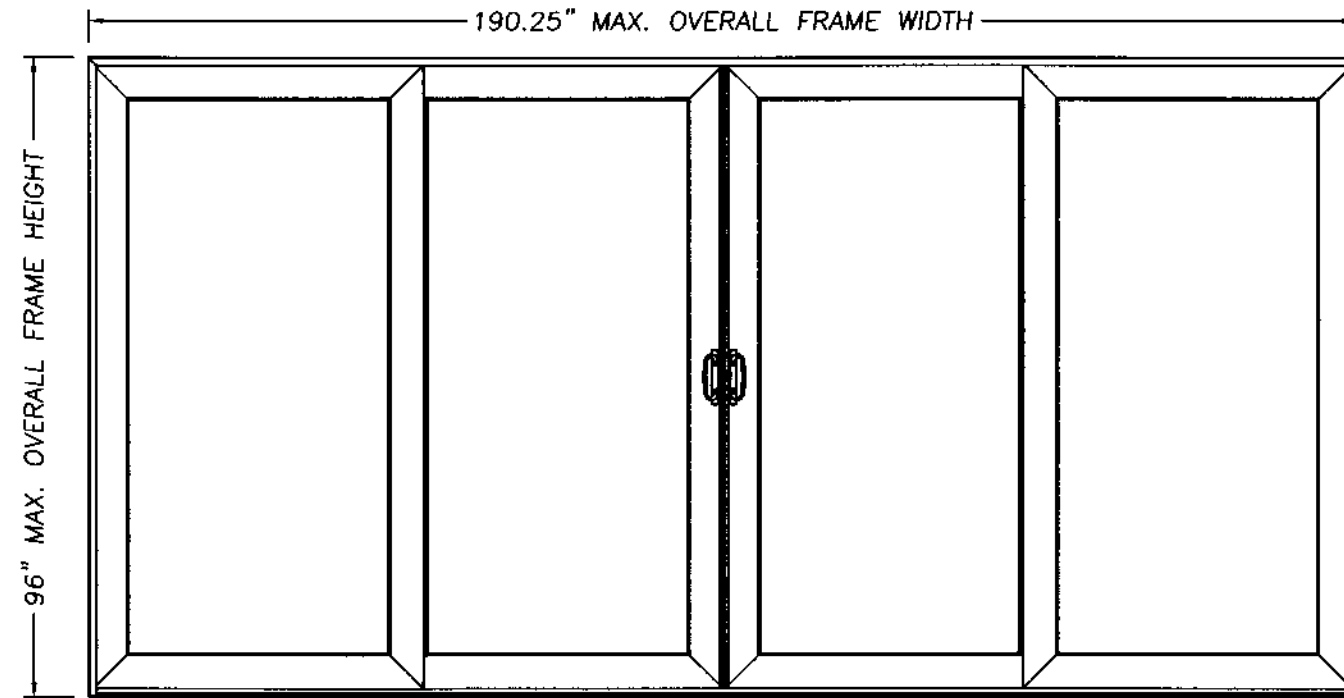


EAGLE WINDOW & DOOR

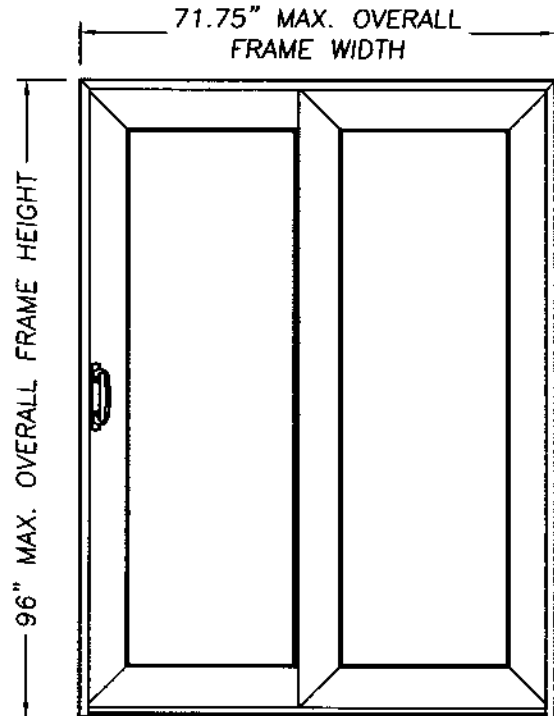
ALUMINUM CLAD FRENCH SLIDING DOOR

DESIGN PRESSURE RATING

POS. 25.0 NEG. 25.0



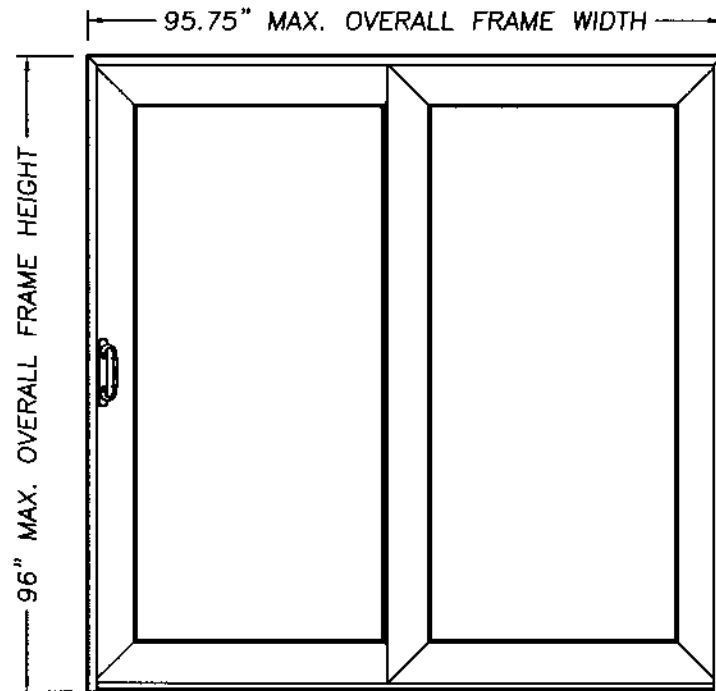
O X X O



X O

DESIGN PRESSURE RATING

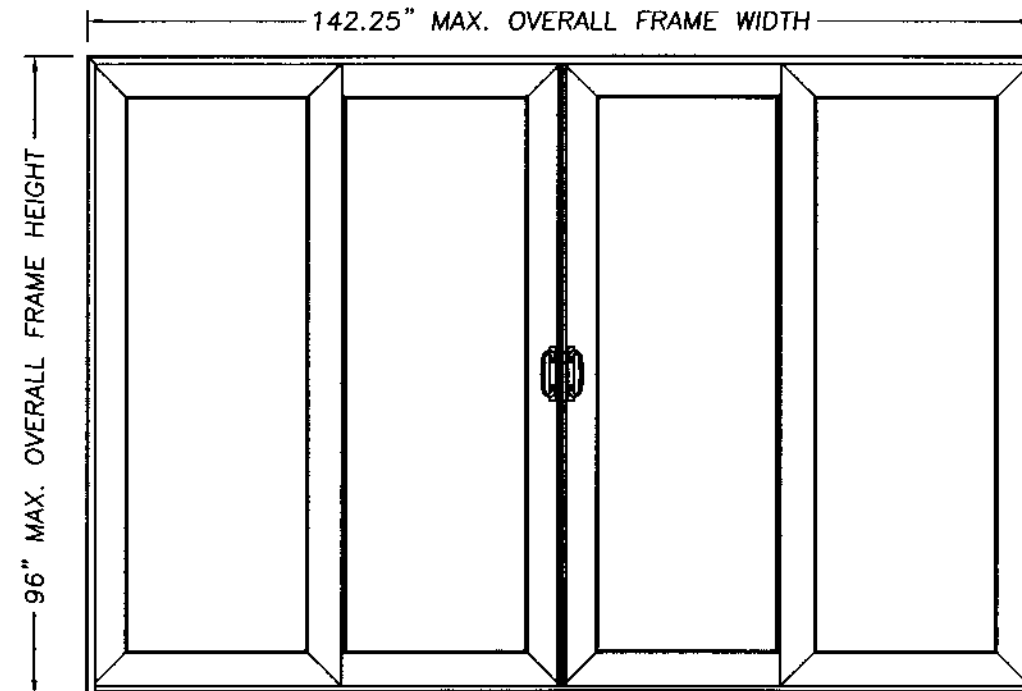
POS. 47.0 NEG. 47.0



X O

DESIGN PRESSURE RATING

POS. 35.0 NEG. 35.0



O X X O

DESIGN PRESSURE RATING

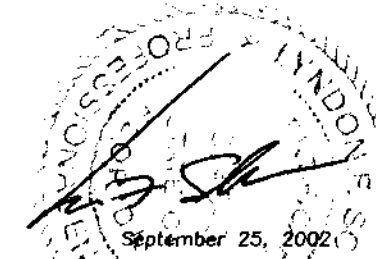
POS. 33.0 NEG. 33.0

GENERAL NOTES

1. THIS PRODUCT IS DESIGNED TO COMPLY WITH THE FLORIDA BUILDING CODE.
2. PRODUCT ANCHORS SHALL BE AS LISTED AND SPACED AS SHOWN ON DETAILS.
3. WHEN THIS PRODUCT IS USED IN AN AREA REQUIRING WINDBORNE DEBRIS PROTECTION, FLORIDA BUILDING CODE APPROVED IMPACT RESISTANT SHUTTERS ARE REQUIRED.
4. MASONRY ANCHORING FOR 1x BUCK SEE SHEET 2 OF 3.
5. MASONRY ANCHORING FOR 2x BUCK SEE SHEET 3 OF 3.

PRODUCT DESCRIPTION

1. ALUMINUM CLAD PONDEROSA PINE SLIDING DOOR WITH BLIND MORTISE AND TENON CORNERS.
2. THE HEAD AND SIDE JAMBS ARE ALUMINUM CLAD PONDEROSA PINE WITH MITERED CORNERS.
3. THE THRESHOLD IS A SLOPED EXTRUDED FIBERGLASS SILL.
4. THE GLASS IS 3/4" OVERALL, CONSISTING OF TWO LITES OF 1/8" TEMPERED GLASS AND IS GLAZED WITH FOAM TAPE AND WOOD GLAZING STOPS.



Lyndon F. Schmjdtt
 Florida P. E. No. 43409
 19506 French Lace Drive Lutz, FL 33558

EAGLE WINDOW & DOOR, INC.
 2045 KERPER BOULEVARD
 DUBUQUE, IA 52004-1072
 PH. 319.556.4408

PRODUCT:
 GENERAL NOTES &
 TYPICAL ELEVATIONS
 EAGLE WINDOW & DOOR
 PART OR ASSEMBLY:
 ALUMINUM CLAD
 FRENCH SLIDING DOOR

NO.	DATE	REVISIONS	BY

RW BUILDING
 CONSULTANTS, INC.
 813.659.9197

DATE: 9/24/02

SCALE: N.T.S.

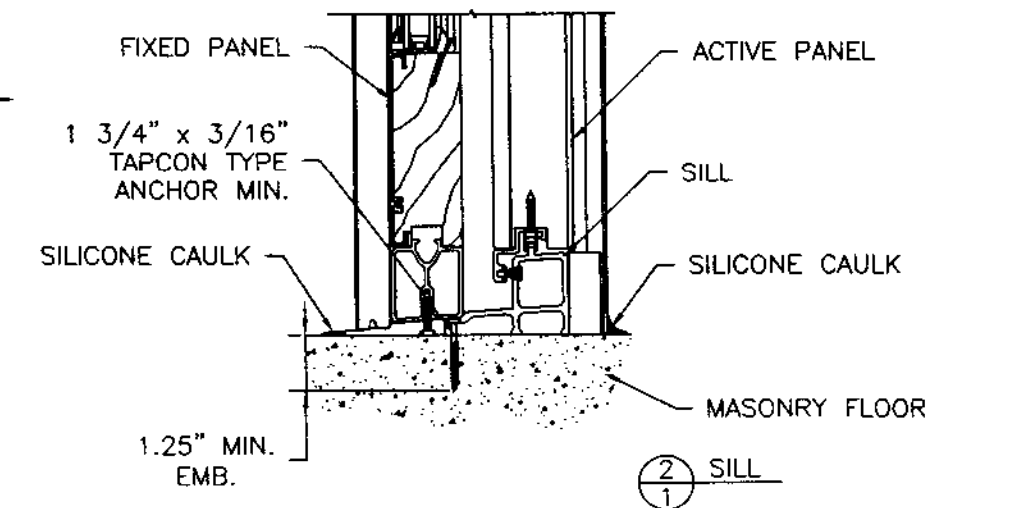
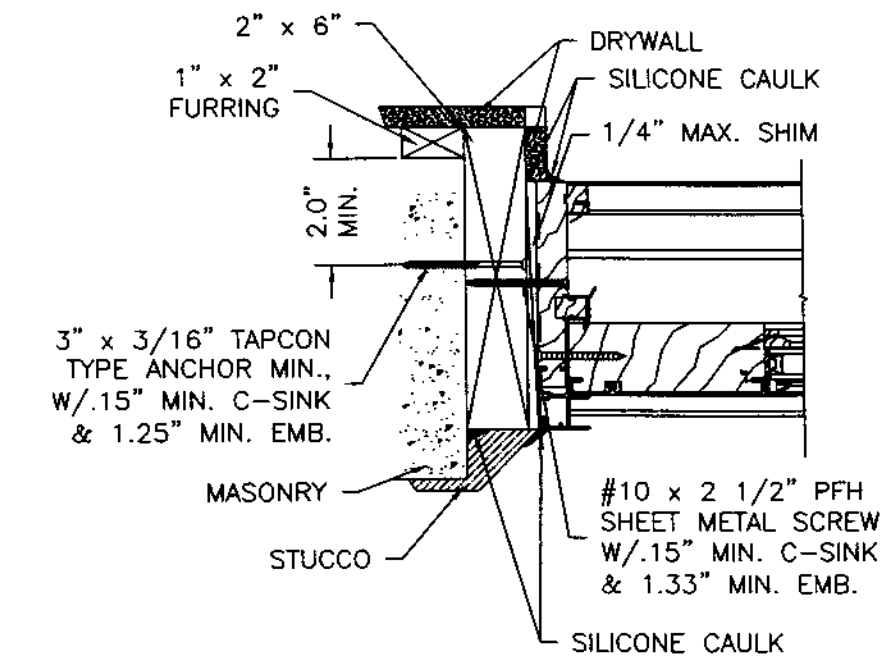
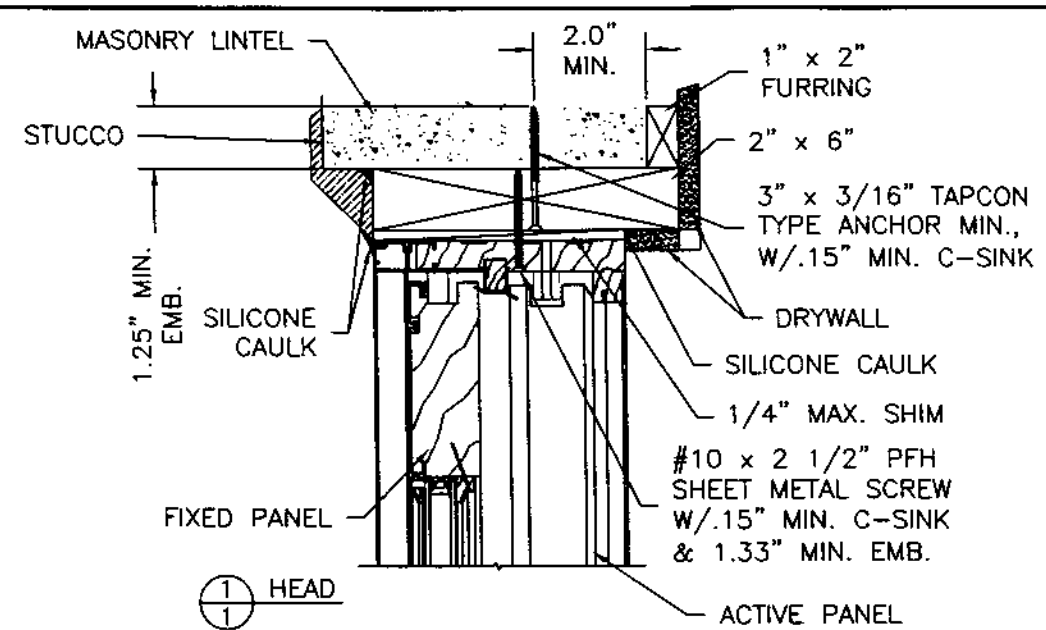
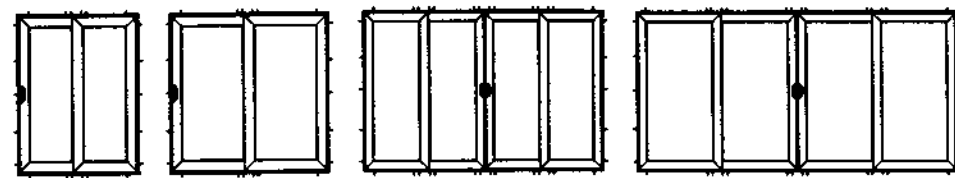
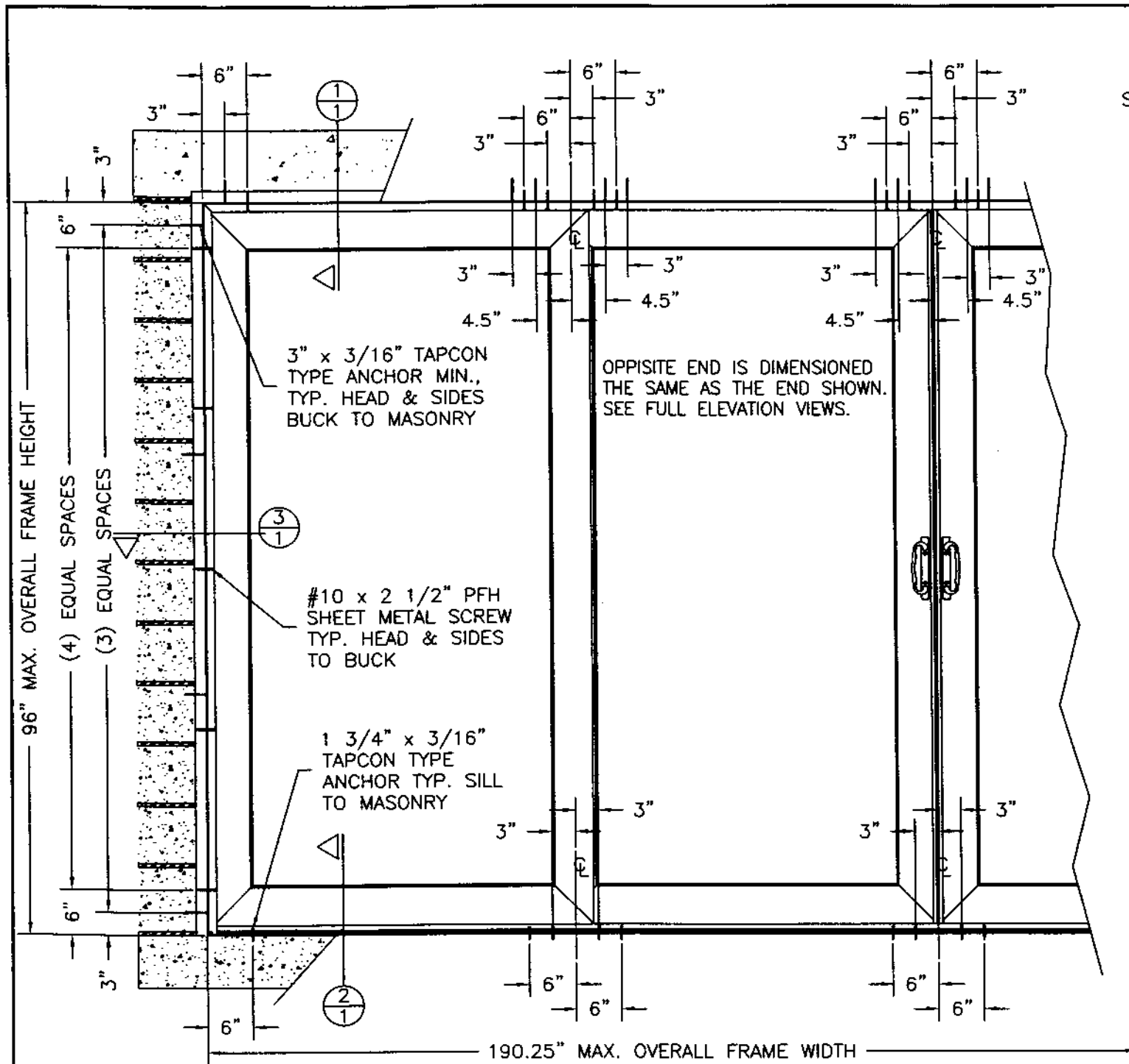
DWG. BY: TJH

CHK. BY: RW

DRAWING NO.:

EGL-104-OC

SHEET 1 OF 3



NOTE:
Adjust Tapcon anchor locations, if necessary, to maintain a minimum 2.0" clearance from mortar joints.

September 25, 2002
Lyndon F. Schmitt
Florida P. E. No. 43409
19506 French Lace Drive
Lutz, FL 33558

EAGLE WINDOW & DOOR, INC.
2045 KERPER BOULEVARD
DUBUQUE, IA 52004-1072
PH. 319.556.4408

ANCHORING CROSS SECTIONS
FOR 2X BUCK TO MASONRY
ALUMINUM CLAD WOOD
SLIDING FRENCH DOOR

RW BUILDING CONSULTANTS, INC.
813.659.9197

DATE: 09/24/02
SCALE: N.T.S.
DWG. BY: TJH
CHK. BY: RW
DRAWING NO.: EGL-104-0C
SHEET 3 OF 3