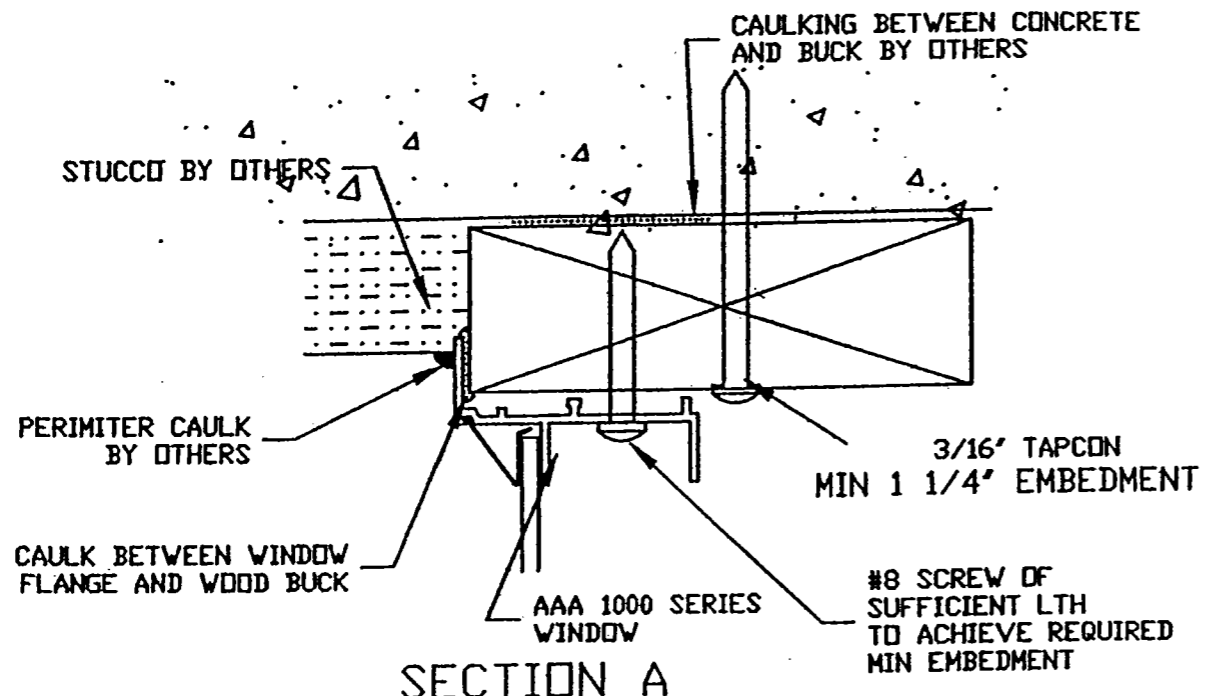
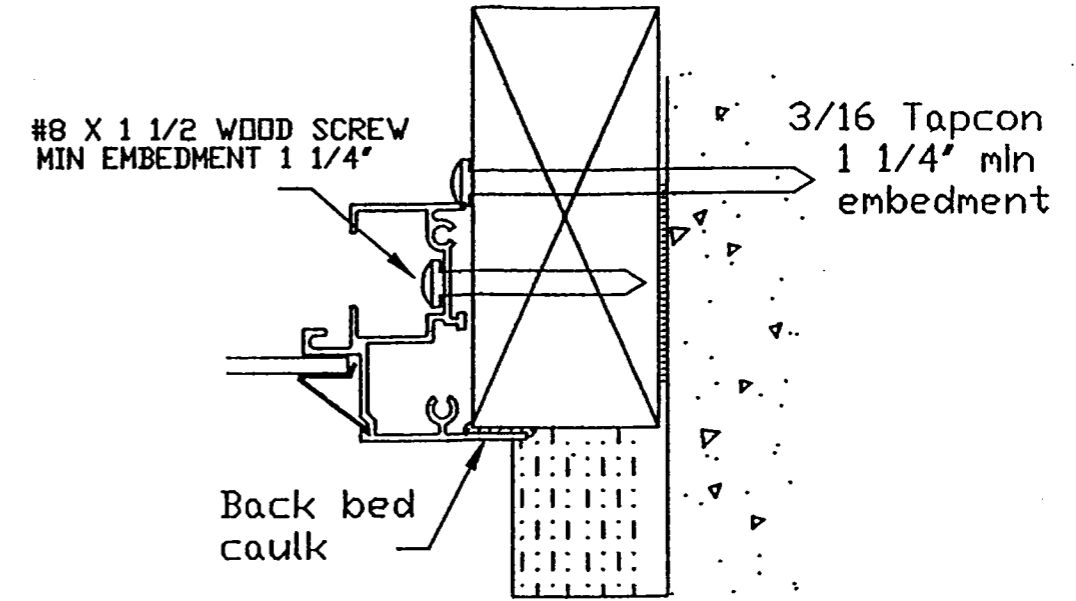


2



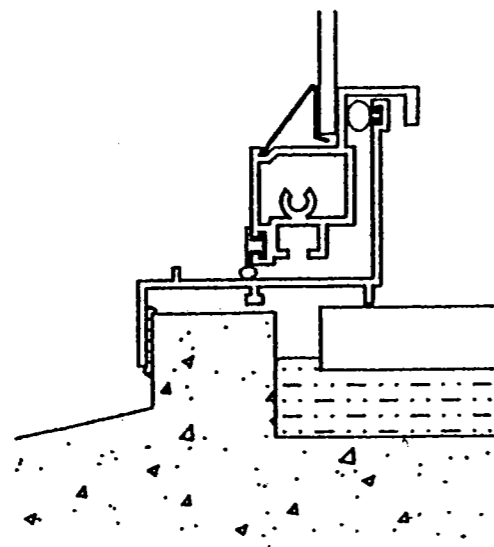
SECTION A



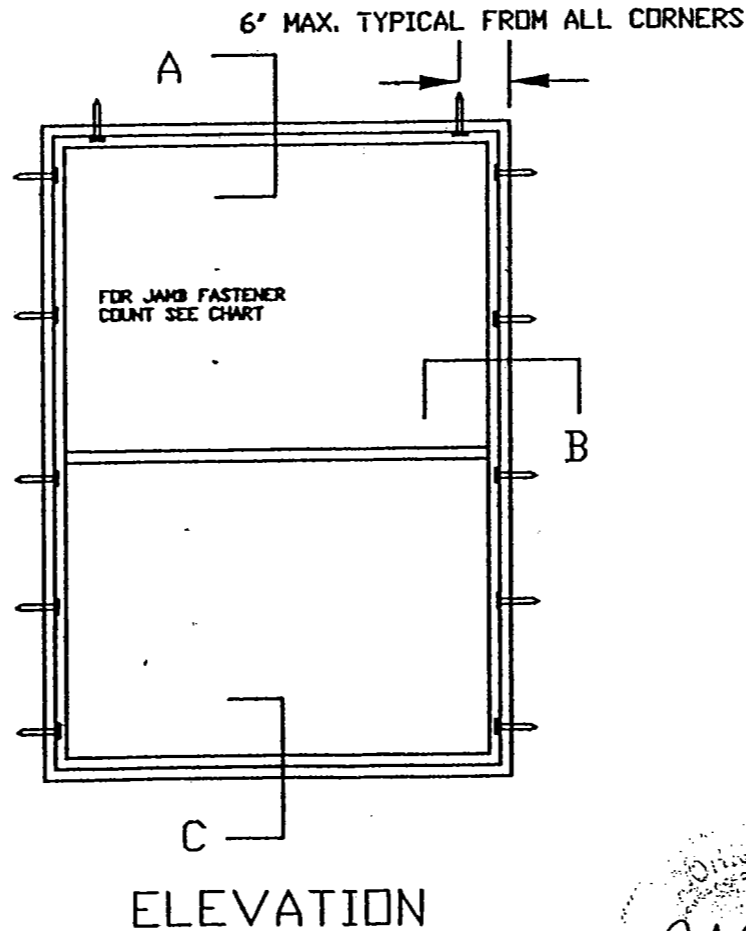
CENTRAL FLORIDA B.O.A.F.  
 Section B  
 MANUFACTURER NAME:  
FLESHER WINDOW  
 MASTER FILE # 1

| JAMB FASTENER CHART |       |        |        |
|---------------------|-------|--------|--------|
| HEIGHT              | 45PSF | 60 PSF | 90 PSF |
| 19' & 26'           | 3     | 3      | 3      |
| 37' & 63'           | 4     | 4      | 5      |
| 75'                 | 5     | 5      | 5      |

ALL HEADS HAVE 2 FASTENERS  
 NO FASTENERS IN SILLS



Section C

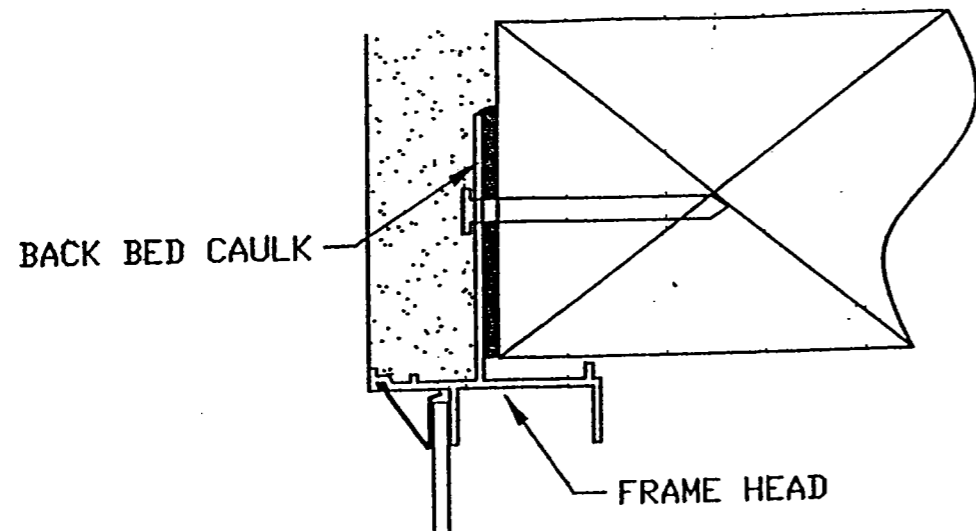


Notes:

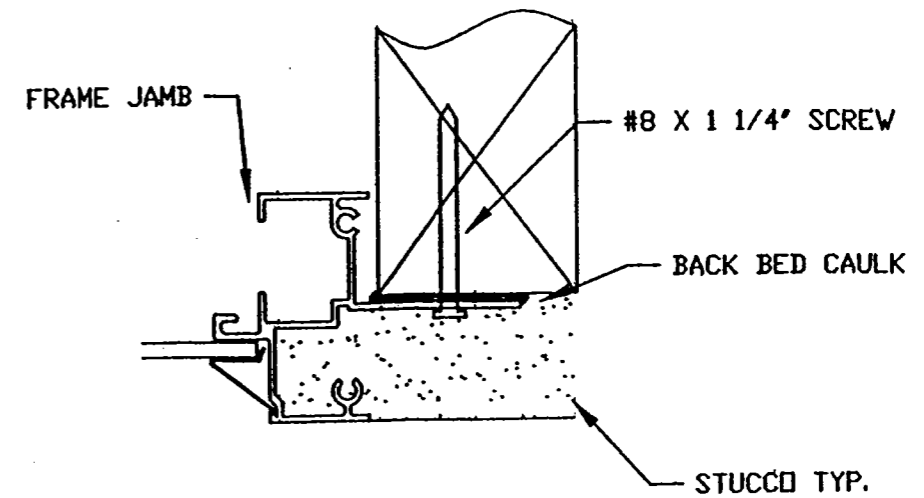
1. Installation of wood bucks (by others) to be either 2x4 with #8 x 1 3/4 wood screw or 1x3 with 3/16"x2 3/4" Tapcon
2. Wood bucks (by others) must be continuous at opening head and jambs. If cracking occurs remove and replace prior to installation.
3. Maximum allowable shim space is 3/8".
4. Apply shims at each ancor as necessary for spaces over 1/8".
5. Reference section A, apply an approved caulk between window flange and buck & sill.
6. Window must be installed plumb and level, 1/4" Tol.
7. Minimum screw embedment for 2x4 bucks 1 1/4"
8. Minimum Tapcon embedment for 1x3 bucks 1 1/4"
9. Refer to fastener chart for fastener quantities

*John Kelly*  
 11/16/02

|   |                 |            |
|---|-----------------|------------|
| FLESHER WINDOWS INC   |                 |            |
| DBA AAA ALUMINUM STAMPING LEHIGH ACRES FL                           |                 |            |
| 1000 SERIES ALUMINUM SINGLE HUNG<br>INSTALLATION DETAILS 2 X 4 BUCK |                 |            |
| DWG BY: ADG   | DATE: 4/20/2002 | SCALE: NTS |



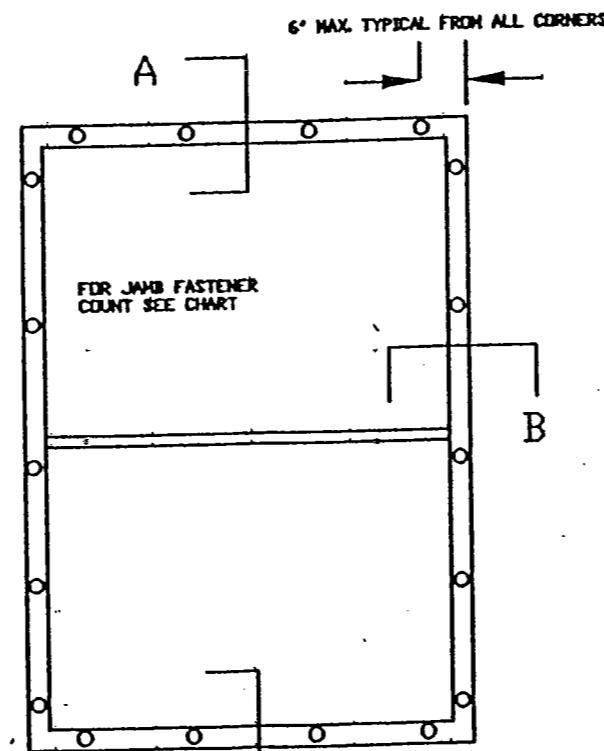
SECTION A



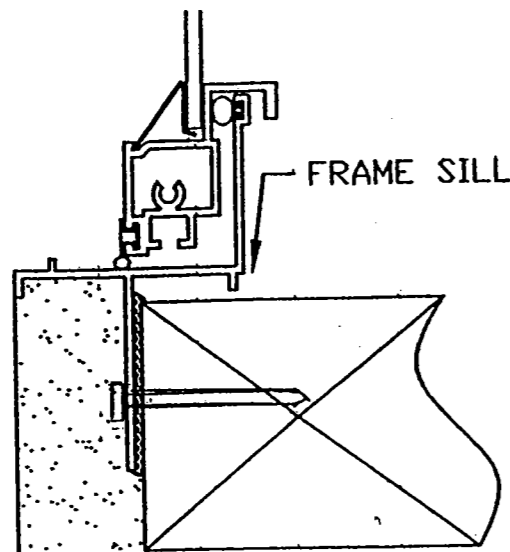
Section B

| SCREW FASTENER CHART |             |         |   |
|----------------------|-------------|---------|---|
| JAMB HEIGHT          | HEAD & SILL |         |   |
| 19' & 26'            | 3           | 19'     | 2 |
| 37'                  | 4           | 26'     | 2 |
| 50 5/8'              | 5           | 38 3/8' | 3 |
| 63'                  | 5           | 48'     | 4 |
| 75'                  | 5           | 53'     | 4 |

MAXIMUM SPAN 16' APART  
MAXIMUM FROM CORNERS 6'



ELEVATION



Section C

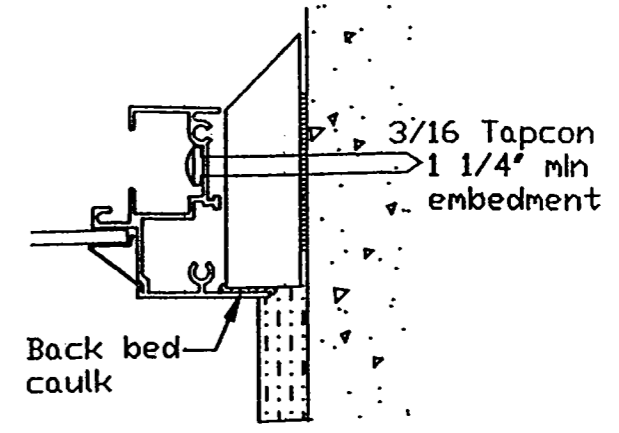
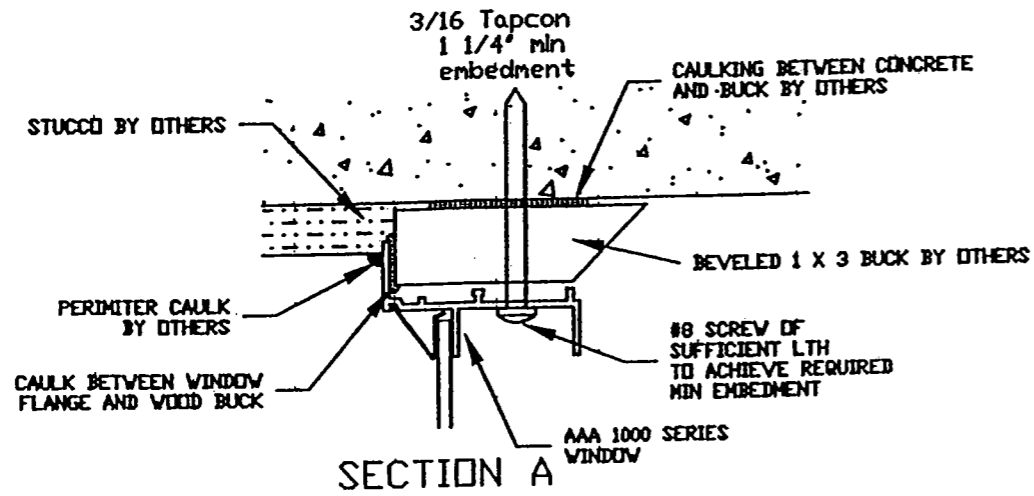
CENTRAL FLORIDA B.O.A.F.  
MANUFACTURED NAME:  
FLECHER WINDOW  
MASTER PER # 1

Notes:

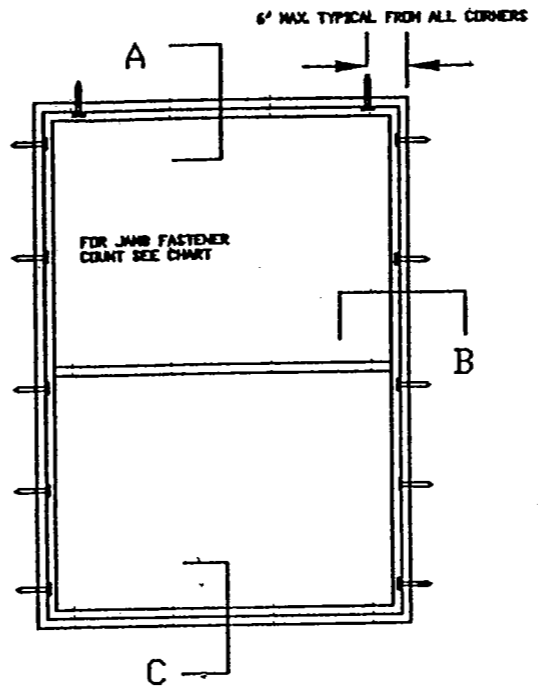
1. Maximum allowable shim space is 3/8".
2. Apply shims at each ancor as necessary for spaces over 1/8".
3. Reference section A, apply an approved caulk between window fin and wall.
4. Window must be installed plumb and level, 1/4" Tol.
5. Minimum screw embedment 1"
6. Refer to fastener chart for fastener quantities

*John Pellegrino*  
11/16/02

|   |                 |            |
|---|-----------------|------------|
| FLECHER WINDOWS INC                       |                 |            |
| DBA AAA ALUMINUM STAMPING LEHIGH ACRES FL |                 |            |
| 1000 SERIES ALUMINUM SINGLE HUNG FIN      |                 |            |
| INSTALLATION DETAILS                      |                 |            |
| DWG BY: ADG                               | DATE: 4/20/2002 | SCALE: NTS |



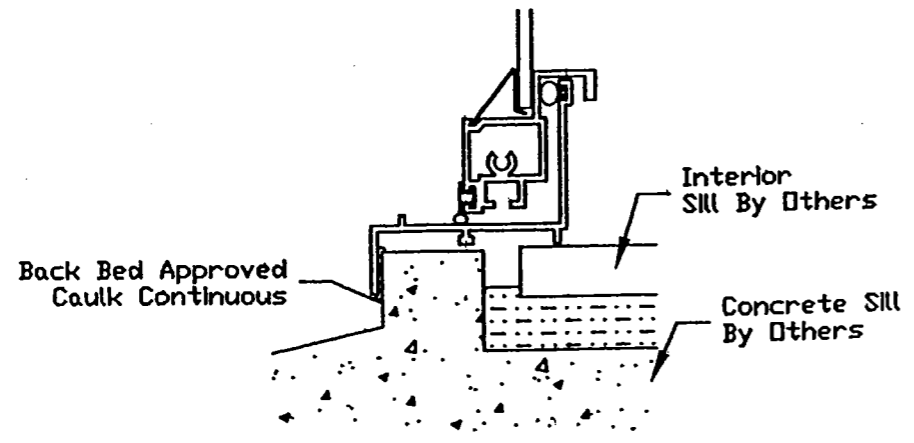
Section B



ELEVATION

CENTRAL FLORIDA B.O.A.F.  
 MANUFACTURER NAME:  
FLESHER WINDOW  
 MASTER FILE # 1

- Notes:
1. Installation of wood bucks (by others) to be either 2x4 with #8 x 1 3/4 wood screw or 1x3 with 3/16"x2 3/4" Tapcon
  2. Wood bucks (by others) must be continuous at opening head and jambs. If cracking occurs remove and replace prior to installation.
  3. Maximum allowable shim space is 3/8".
  4. Apply shims at each ancor as necessary for spaces over 1/8".
  5. Reference section A, apply an approved caulk between window flange and buck & sill.
  6. Window must be installed plumb and level, 1/4" Tol.
  7. Minimum screw embedment for 2x4 bucks 1 1/4"
  8. Minimum Tapcon embedment for 1x3 bucks 1 1/4"
  9. Refer to fastener chart for fastener quantities



Section C

| JAMB FASTENER CHART |        |        |        |
|---------------------|--------|--------|--------|
| HEIGHT              | 45 PSF | 60 PSF | 90 PSF |
| 19' & 26'           | 3      | 3      | 3      |
| 37' & 63'           | 3      | 4      | 5      |
| 75'                 | 3      | 5      | 5      |

ALL HEADS HAVE 2 FASTENERS  
 NO FASTENERS IN SILLS

*John J. Flynn*  
 11/16/02

|  |                 |        |
|--|-----------------|--------|
| FLESHER WINDOWS INC                                      |                 |        |
| DBA AAA ALUMINUM STAMPING LEHIGH ACRES FL                |                 |        |
| 1000 SERIES ALUMINUM SINGLE HUNG<br>INSTALLATION DETAILS |                 |        |
| DWG BY: ADG  | DATE: 4/20/2002 | SCALE: |