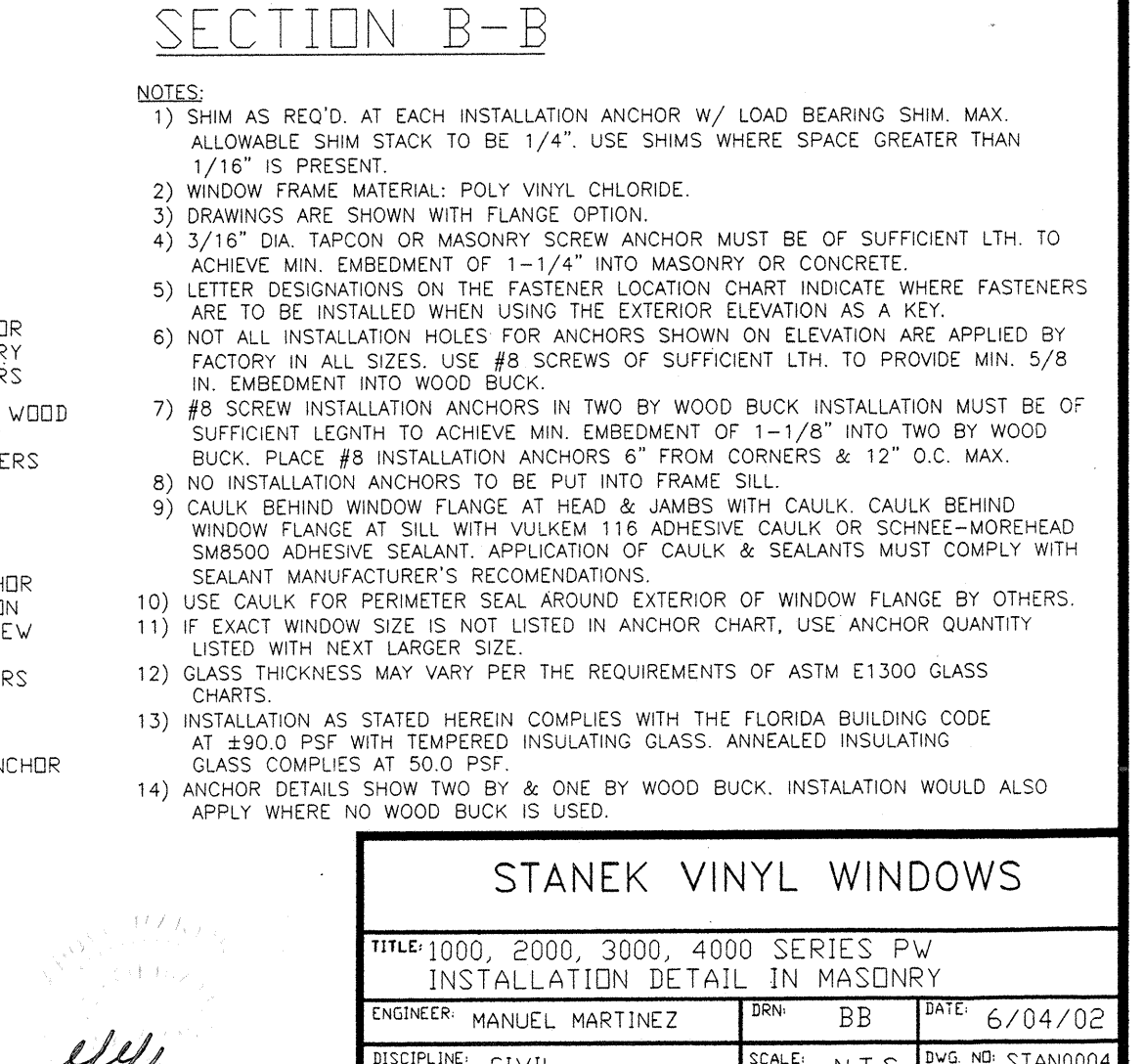
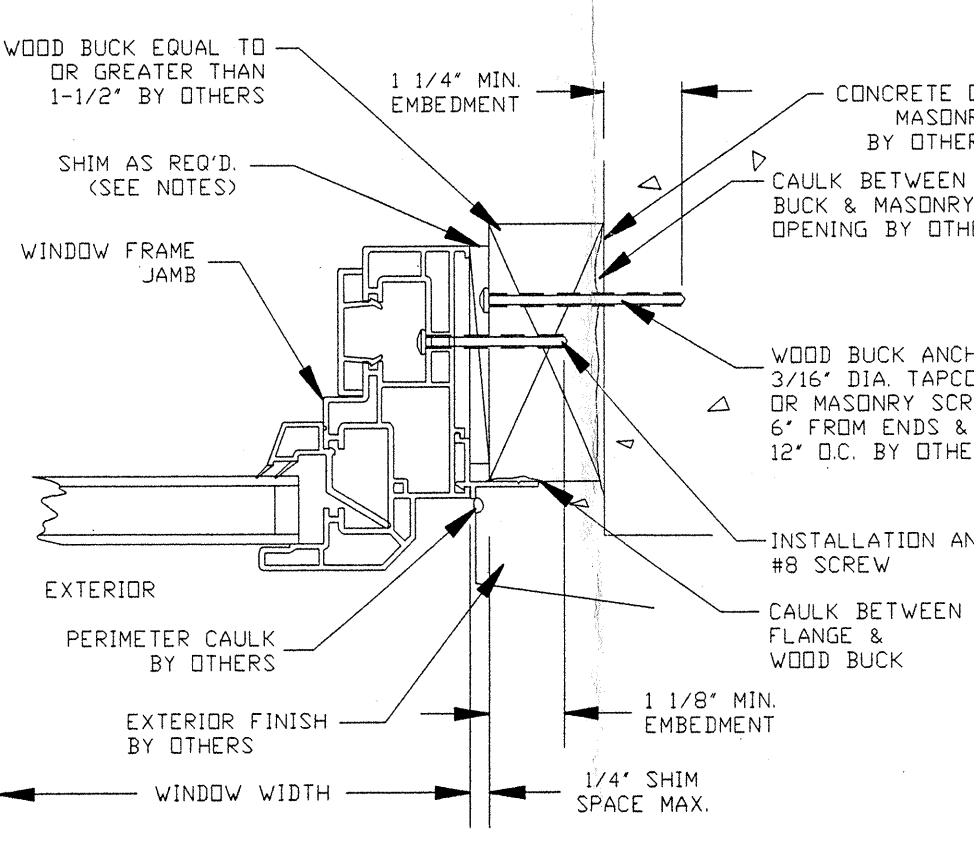
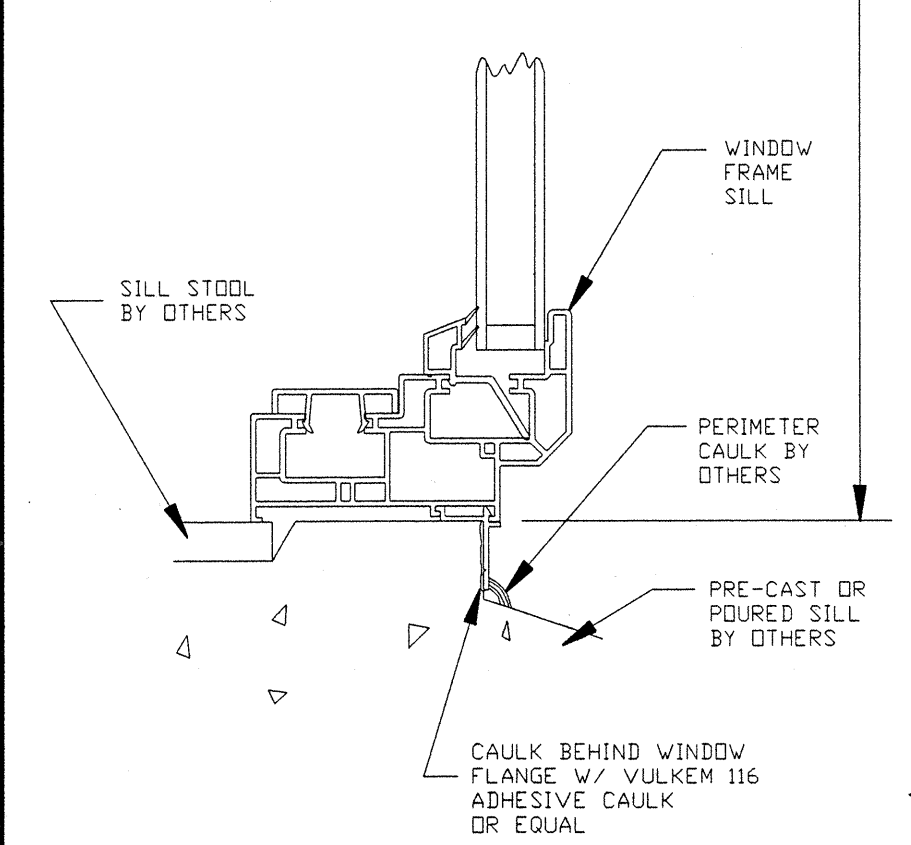


SECTION B-B

- NOTES:
- 1) SHIM AS REQ'D. AT EACH INSTALLATION ANCHOR W/ LOAD BEARING SHIM. MAX. ALLOWABLE SHIM STACK TO BE 1/4". USE SHIMS WHERE SPACE GREATER THAN 1/16" IS PRESENT.
 - 2) WINDOW FRAME MATERIAL: POLY VINYL CHLORIDE.
 - 3) DRAWINGS ARE SHOWN WITH FLANGE OPTION.
 - 4) 3/16" DIA. TAPCON OR MASONRY SCREW ANCHOR MUST BE OF SUFFICIENT LTH. TO ACHIEVE MIN. EMBEDMENT OF 1-1/4" INTO MASONRY OR CONCRETE.
 - 5) LETTER DESIGNATIONS ON THE FASTENER LOCATION CHART INDICATE WHERE FASTENERS ARE TO BE INSTALLED WHEN USING THE EXTERIOR ELEVATION AS A KEY.
 - 6) NOT ALL INSTALLATION HOLES FOR ANCHORS SHOWN ON ELEVATION ARE APPLIED BY FACTORY IN ALL SIZES. USE #8 SCREWS OF SUFFICIENT LTH. TO PROVIDE MIN. 5/8 IN. EMBEDMENT INTO WOOD BUCK.
 - 7) #8 SCREW INSTALLATION ANCHORS IN TWO BY WOOD BUCK INSTALLATION MUST BE OF SUFFICIENT LENGTH TO ACHIEVE MIN. EMBEDMENT OF 1-1/8" INTO TWO BY WOOD BUCK. PLACE #8 INSTALLATION ANCHORS 6" FROM CORNERS & 12" O.C. MAX.
 - 8) NO INSTALLATION ANCHORS TO BE PUT INTO FRAME SILL.
 - 9) CAULK BEHIND WINDOW FLANGE AT HEAD & JAMBS WITH CAULK. CAULK BEHIND WINDOW FLANGE AT SILL WITH VULKEM 116 ADHESIVE CAULK OR SCHNEE-MOREHEAD SM8500 ADHESIVE SEALANT. APPLICATION OF CAULK & SEALANTS MUST COMPLY WITH SEALANT MANUFACTURER'S RECOMENDATIONS.
 - 10) USE CAULK FOR PERIMETER SEAL AROUND EXTERIOR OF WINDOW FLANGE BY OTHERS.
 - 11) IF EXACT WINDOW SIZE IS NOT LISTED IN ANCHOR CHART, USE ANCHOR QUANTITY LISTED WITH NEXT LARGER SIZE.
 - 12) GLASS THICKNESS MAY VARY PER THE REQUIREMENTS OF ASTM E1300 GLASS CHARTS.
 - 13) INSTALLATION AS STATED HEREIN COMPLIES WITH THE FLORIDA BUILDING CODE AT ±90.0 PSF WITH TEMPERED INSULATING GLASS. ANNEALED INSULATING GLASS COMPLIES AT 50.0 PSF.
 - 14) ANCHOR DETAILS SHOW TWO BY & ONE BY WOOD BUCK. INSTALATION WOULD ALSO APPLY WHERE NO WOOD BUCK IS USED.

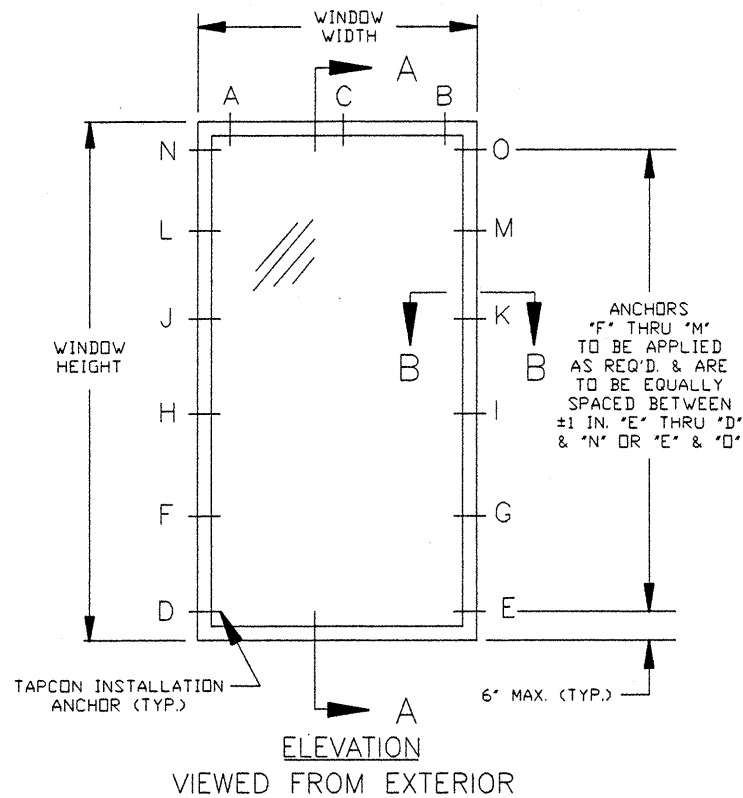


SECTION A-A

SECTION B-B

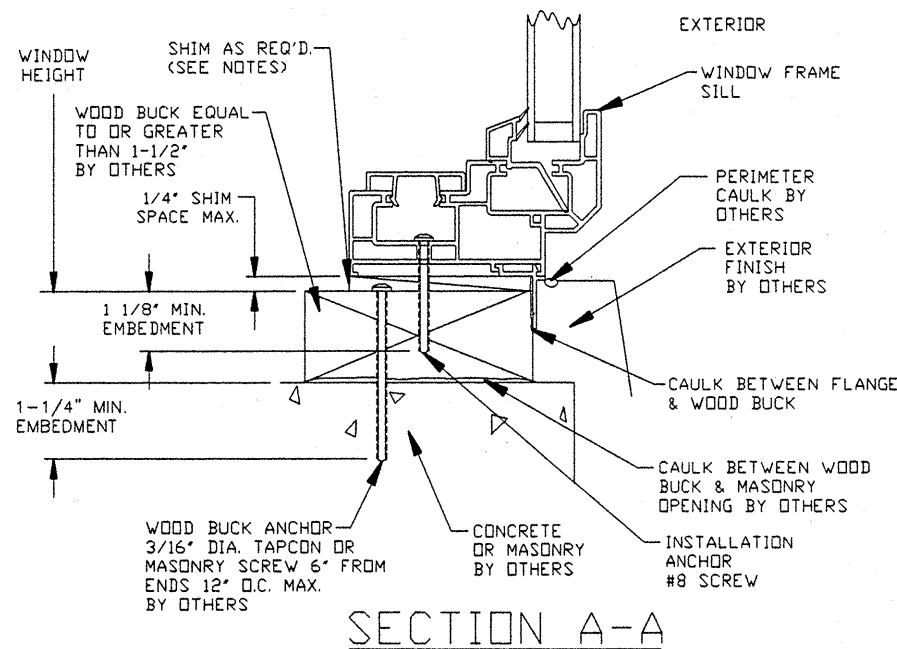
STANEK VINYL WINDOWS		
TITLE: 1000, 2000, 3000, 4000 SERIES PW INSTALLATION DETAIL IN MASONRY		
ENGINEER: MANUEL MARTINEZ	DRN: BB	DATE: 6/04/02
DISCIPLINE: CIVIL	SCALE: N.T.S.	DWG. NO: STAN0004
FL. REG. NO: 47182	REV. LETTER:	SHEET: 1 OF 2

Handwritten signature and date: 06-05-02

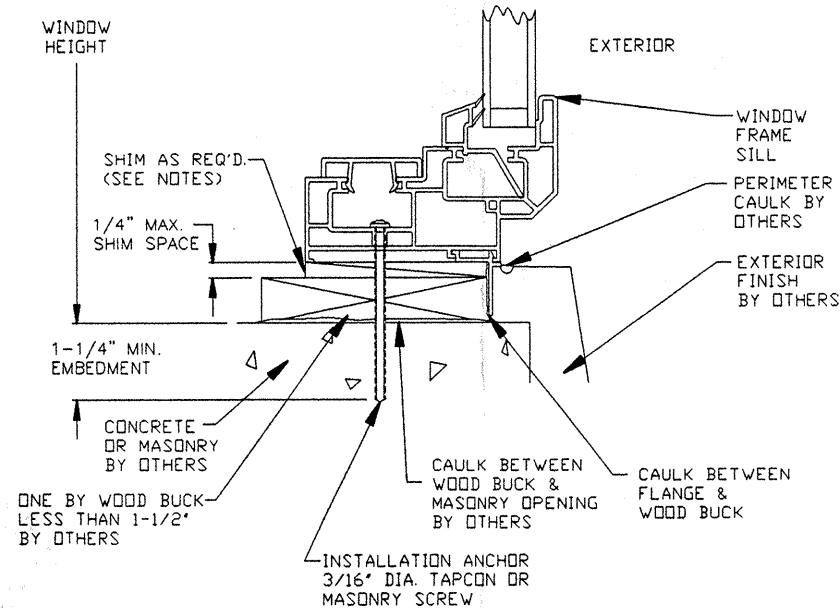


GLAZING	MAX. ALLOW. SIZE	DP CAPACITY
1" O.A. I.G. 2 PCS. 3/16" ANNEALED GLASS	72' X 66' (33 FT ²)	±50.0 PSF
1" O.A. I.G. 2 PCS. 3/16" TEMPERED GLASS	66' X 83' (38 FT ²)	±90.0 PSF

NOTE: SIZES ARE BOX SIZES PRIOR TO FLANGE ATTACHMENT



SECTION A-A



SECTION A-A

WINDOW SIZE	LOCATIONS IN HEAD	LOCATIONS IN EA. JAMB
	UP TO 50 PSF	UP TO 50 PSF
36 X 37	A,B	D,E
36 X 43	A,B	D,E
36 X 49	A,B	D,E,N,O
36 X 55	A,B	D,E,N,O
36 X 61	A,B	D,E,N,O
36 X 66	A,B	D,E,N,O
42 X 37	A,B	D,E
42 X 43	A,B	D,E
42 X 49	A,B	D,E,N,O
42 X 55	A,B	D,E,N,O
42 X 61	A,B	D,E,N,O
42 X 66	A,B	D,E,N,O
48 X 37	A,B	D,E
48 X 43	A,B	D,E
48 X 49	A,B	D,E,N,O
48 X 55	A,B	D,E,N,O
48 X 61	A,B	D,E,N,O
48 X 66	A,B	D,E,N,O
54 X 37	A,B	D,E
54 X 43	A,B	D,E
54 X 49	A,B	D,E,N,O
54 X 55	A,B	D,E,N,O
54 X 61	A,B	D,E,N,O
54 X 66	A,B	D,E,N,O
60 X 37	A,B	D,E
60 X 43	A,B	D,E
60 X 49	A,B	D,E,N,O
60 X 55	A,B	D,E,N,O
60 X 61	A,B	D,E,N,O
60 X 66	A,B	D,E,H,I,N,O
66 X 37	A,B	D,E
66 X 43	A,B	D,E
66 X 49	A,B	D,E,N,O
66 X 55	A,B	D,E,N,O
66 X 61	A,B	D,E,N,O
66 X 66	A,B	D,E,H,I,N,O
72 X 37	A,B	D,E
72 X 43	A,B	D,E
72 X 49	A,B	D,E,N,O
72 X 55	A,B	D,E,N,O
72 X 61	A,B	D,E,N,O
72 X 66	A,B	D,E,H,I,N,O

WINDOW SIZE	LOCATIONS IN HEAD	LOCATIONS IN EACH JAMB
	UP TO 90 PSF	UP TO 90 PSF
36 X 37	A,B	D,E,H,I
36 X 43	A,B	D,E,H,I
36 X 49	A,B	D,E,H,I
36 X 55	A,B	D,E,H,I,N,O
36 X 61	A,B	D,E,H,I,N,O
36 X 67	A,B	D,E,H,I,N,O
36 X 73	A,B	D,E,H,I,N,O
36 X 79	A,B	D,E,H,I,J,K,N,O
36 X 83	A,B	D,E,H,I,J,K,N,O
42 X 37	A,B	D,E,H,I
42 X 43	A,B	D,E,H,I
42 X 49	A,B	D,E,H,I
42 X 55	A,B	D,E,H,I,N,O
42 X 61	A,B	D,E,H,I,N,O
42 X 67	A,B	D,E,H,I,N,O
42 X 73	A,B	D,E,H,I,J,K,N,O
42 X 79	A,B	D,E,H,I,J,K,N,O
42 X 83	A,B	D,E,H,I,J,K,N,O
48 X 37	A,B	D,E,H,I
48 X 43	A,B	D,E,H,I
48 X 49	A,B	D,E,H,I,N,O
48 X 55	A,B	D,E,H,I,N,O
48 X 61	A,B	D,E,H,I,N,O
48 X 67	A,B	D,E,H,I,J,K,N,O
48 X 73	A,B	D,E,H,I,J,K,N,O
48 X 79	A,B	D,E,H,I,J,K,N,O
48 X 83	A,B	D,E,F,G,H,I,J,K,N,O
54 X 37	A,B	D,E,H,I
54 X 43	A,B	D,E,H,I
54 X 49	A,B	D,E,H,I,N,O
54 X 55	A,B	D,E,H,I,N,O
54 X 61	A,B	D,E,H,I,J,K,N,O
54 X 67	A,B	D,E,H,I,J,K,N,O
54 X 73	A,B	D,E,H,I,J,K,N,O
54 X 79	A,B	D,E,F,G,H,I,J,K,N,O
54 X 83	A,B	D,E,F,G,H,I,J,K,N,O
60 X 37	A,B	D,E,H,I
60 X 43	A,B,C	D,E,H,I,N,O
60 X 49	A,B,C	D,E,H,I,N,O
60 X 55	A,B,C	D,E,H,I,N,O
60 X 61	A,B,C	D,E,H,I,J,K,N,O
60 X 67	A,B,C	D,E,H,I,J,K,N,O
60 X 73	A,B,C	D,E,F,G,H,I,J,K,N,O
60 X 79	A,B,C	D,E,F,G,H,I,J,K,N,O
60 X 83	A,B,C	D,E,F,G,H,I,J,K,N,O
66 X 37	A,B,C	D,E,H,I
66 X 43	A,B,C	D,E,H,I,N,O
66 X 49	A,B,C	D,E,H,I,N,O
66 X 55	A,B,C	D,E,H,I,J,K,N,O
66 X 61	A,B,C	D,E,H,I,J,K,N,O
66 X 67	A,B,C	D,E,F,G,H,I,J,K,N,O
66 X 73	A,B,C	D,E,F,G,H,I,J,K,N,O
66 X 79	A,B,C	D,E,F,G,H,I,J,K,L,M,N,O
66 X 83	A,B,C	D,E,F,G,H,I,J,K,L,M,N,O

STANEK WINDOW CO.

TITLE: 1000, 2000, 3000, 4000, SERIES PW
MASONRY INSTALLATION CHART

ENGINEER: MANUEL MARTINEZ	DRN: BB	DATE: 6/04/02
DISCIPLINE: CIVIL	SCALE: N.T.S.	DWG. NO: STAN0004-2
FL. REG. NO: 47182	REV. LETTER:	SHEET: 2 OF 2