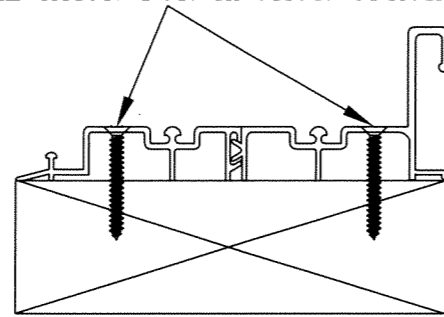


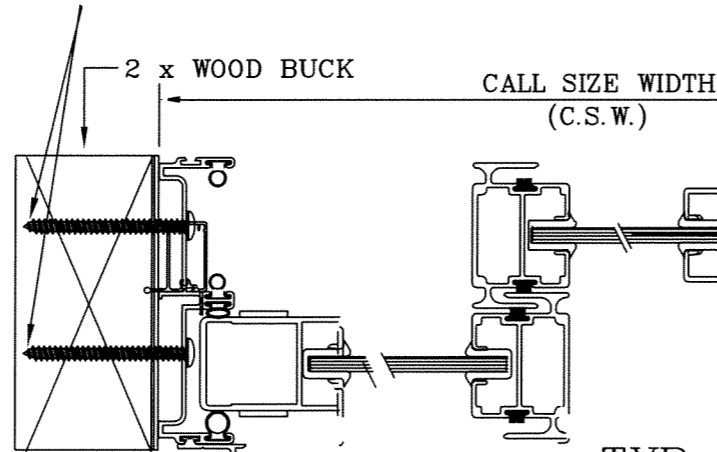
(2) #10 x 1-3/4" PH-SMS INTO 2 BY BUCK OR 3/16"Ø x 2-3/4" TAPCON THRU 1 BY BUCK, (SHOWN) WITH A 1-1/4" MIN. EMBEDMENT INTO MASONRY. SEE ELEVATION FOR ANCHOR SPACING.

(2) #10 x 1-3/4" FH-SMS INTO 2 x BUCK SEE ELEVATION FOR ANCHOR SPACING.



OPTIONAL 2 BY WOOD BUCK

(2) #10 x 1 3/4" PH-SMS INTO 2 BY BUCK WITH 1-1/2" MIN. EMBEDMENT. SEE ELEVATION FOR ANCHOR SPACING.



TYP. HORIZONTAL SECTION
1 BY / 2 BY BUCK

(2) 3/16"Ø x 2-3/4" TAPCON OR MIAMI DADE APPROVED CONC. FASTENERS. SEE ELEVATION FOR ANCHOR SPACING.

1 x WOOD BUCK

1/4" SHIM MAX

(2) 3/16"Ø x 2-1/4" TAPCON OR MIAMI DADE APPROVED CONC. FASTENER SEE ELEVATION FOR ANCHOR SPACING.

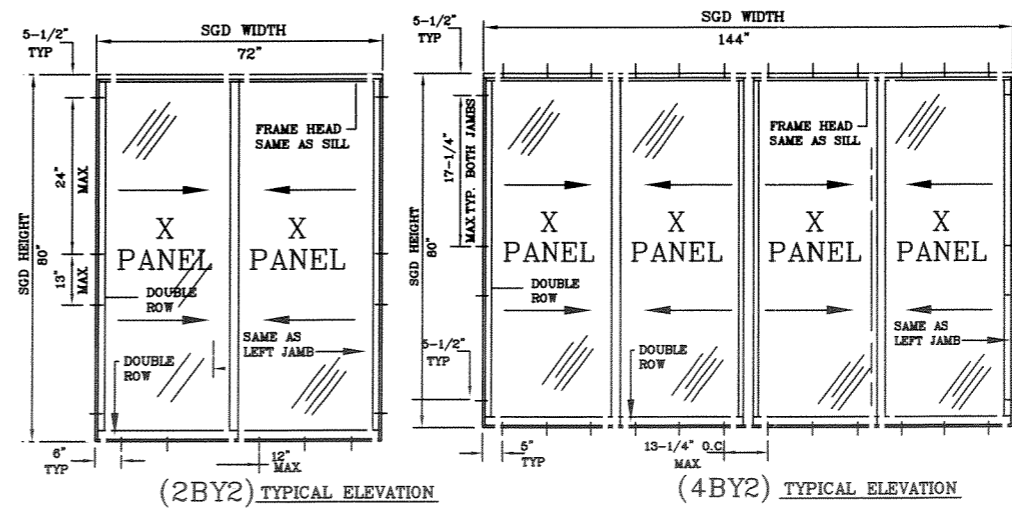
NOTES:

- 1) SHIM AS REQUIRED, MAX SHIM STACK 1/4"
- 2) ALL ALUMINUM EXTRUSIONS ARE ALLOY 6063-T5 OR T6 WITH TYPICAL WALL THICKNESS OF 0.62"
- 3) USE HIGH QUALITY CAULK BEHIND WINDOW FLANGE.
- 4) GLASS THICKNESS BASED ON TABLE E1300 GLASS CHARTS, AND MAY VARY DEPENDING ON SIZE.
- 5) THE RESPONSIBILITY FOR SELECTION OF NORANDEX PRODUCTS TO MEET ANY APPLICABLE LOCAL LAWS, BUILDING CODES, ORDINANCES OR OTHER SAFETY REQUIREMENTS REST SOLELY WITH THE ARCHITECT, BUILDING OWNER OR CONTRACTOR.
- 6) CONCRETE COMPRESSIVE STRENGTH = 3,000 PSI AT 28 DAYS.

HEADER AND SILL SECTION
TYP. 1 BY BUCK

3/16" TEMPERED GLASS						
PANEL SIZE INCHES	DESIGN LOAD CAPACITY-PSF		NO. OF ANCHOR SCREWS IN FRAME			
			HEAD AND SILL			JAMB
WIDTH/HEIGHT	EXTERNAL	INTERNAL	XX	XXX	XXXX	ALL
30 1/16" x 59 1/2"	53.3	55.8	10	16	18	6
36 1/16" x 59 1/2"	49.8	49.8	12	18	22	6
30 1/16" x 79 1/2"	49.7	49.7	10	16	20	8
36 1/16" x 79 1/2"	45	45	12	18	22	8

SERIES 500 ALUMINUM SLIDING GLASS DOOR. ALL OPERABLE PANELS
FASTENER CHART



(2BY2) TYPICAL ELEVATION

(4BY2) TYPICAL ELEVATION

Chaffagen
CHARLES A. PAGEN, P.E.
FL. REG. ENG. # 49121
DATE: 3/21/02

SERIES: 500 ALUMINUM SLIDING GLASS DOOR		500 SLIDING GLASS DOOR INSTALLATION DETAIL XOX, OX, XO AND FASTENER SCHEDULE	
NORANDEX 4505 30th STREET WEST BRADENTON, FL. 34207 PHONE: (941) 755-1591		REVISIONS DESCRIPTION	
DATE: 2/1/02	SCALE: N.T.S.	NO. DATE	
DWG. BY: J.R.M.	CHK. BY: RLK		
DWG. NO.: FBC-023			