

Vertical Design Loads (\pm psf)

Mull Height \rightarrow Win. Width \downarrow	37"	45"	53.125"	60"	74"	79.5"	90"	110"
24"	+/-80.0	+/-80.0	+/-80.0	+/-80.0	+/-80.0	+/-80.0	+/-80.0	+/-80.0
30 3/8"	+/-80.0	+/-80.0	+/-80.0	+/-80.0	+/-80.0	+/-80.0	+/-80.0	+/-80.0
36"	+/-80.0	+/-80.0	+/-80.0	+/-80.0	+/-80.0	+/-80.0	+/-80.0	+/-80.0
42"	+/-80.0	+/-80.0	+/-80.0	+/-80.0	+/-80.0	+/-80.0	+/-80.0	+/-80.0
50.625"	+/-80.0	+/-79.9	+/-75.9	+/-75.0	+/-75.0	+/-75.0	+/-75.0	+/-75.0
60"	+/-74.3	+/-67.1	+/-63.2	+/-61.8	+/-61.7	+/-61.7	+/-61.7	+/-61.7
63"	+/-47.3	+/-42.1	+/-38.8	+/-37.2	+/-36.2	+/-36.1	+/-36.1	+/-36.1

James B. Whittum
MAR 06 2002

Horizontal Design Loads (\pm psf)

Mull Span \rightarrow Win. Height \downarrow	37"	45"	53.125"	60"	74"	79.5"
24"	+/-80.0	+/-80.0	+/-80.0	+/-80.0	+/-59.6	+/-47.4
30 3/8"	+/-80.0	+/-80.0	+/-80.0	+/-80.0	+/-49.6	+/-39.3
36"	+/-80.0	+/-80.0	+/-80.0	+/-80.0	+/-44.0	+/-34.7
42"	+/-80.0	+/-80.0	+/-80.0	+/-80.0	+/-39.8	+/-31.3
50.625"	+/-80.0	+/-80.0	+/-80.0	+/-76.8	+/-36.0	-
60"	+/-80.0	+/-80.0	+/-80.0	+/-75.0	+/-33.6	-
63"	+/-80.0	+/-80.0	+/-80.0	+/-75.0	+/-33.1	-
72"	+/-80.0	+/-80.0	+/-80.0	+/-75.0	+/-32.4	-
84"	+/-80.0	+/-80.0	+/-80.0	+/-75.0	+/-32.4	-
96"	+/-80.0	+/-80.0	+/-80.0	+/-75.0	+/-32.4	-

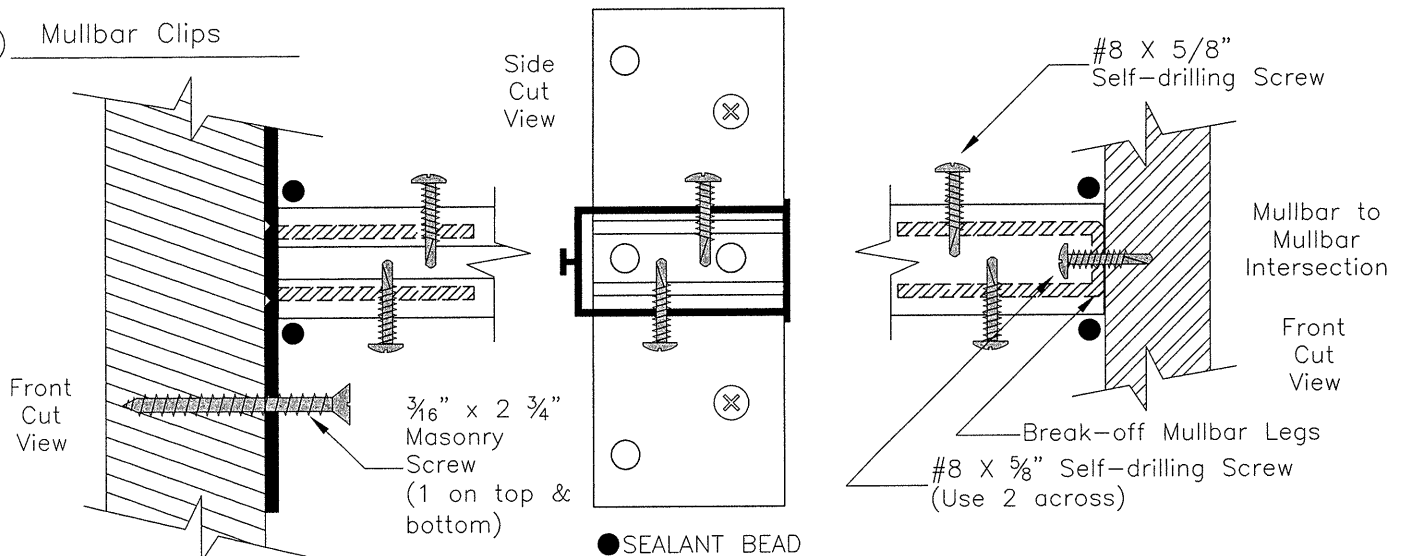
Mullbar Screw Schedule

Mullbar	Orientation	Color/Part #	# of Bags	Bag Contents
714	Horizontal & Vertical	Mill (20BIF)	1 if under 52"	#8 X 5/8" Self-Drilling Screw (2)
			2 if 52" and over	

Mullbar design pressures calculated using beam analysis [$I = 175(F)L^2/76.8(E)$], a deflection maximum of the length divided by 175, without window frame members, inertia of 0.769 and a maximum design pressure of ± 80.0 psf.

James B. Whittum, P.E.
FL # 0027689
7519 Oakvista Cir.
Tampa, Florida 33634
813-889-7977

Mullbar Clips



Suggested installation only. Since local building codes vary, the applicable method of installation is the responsibility of the building contractor.