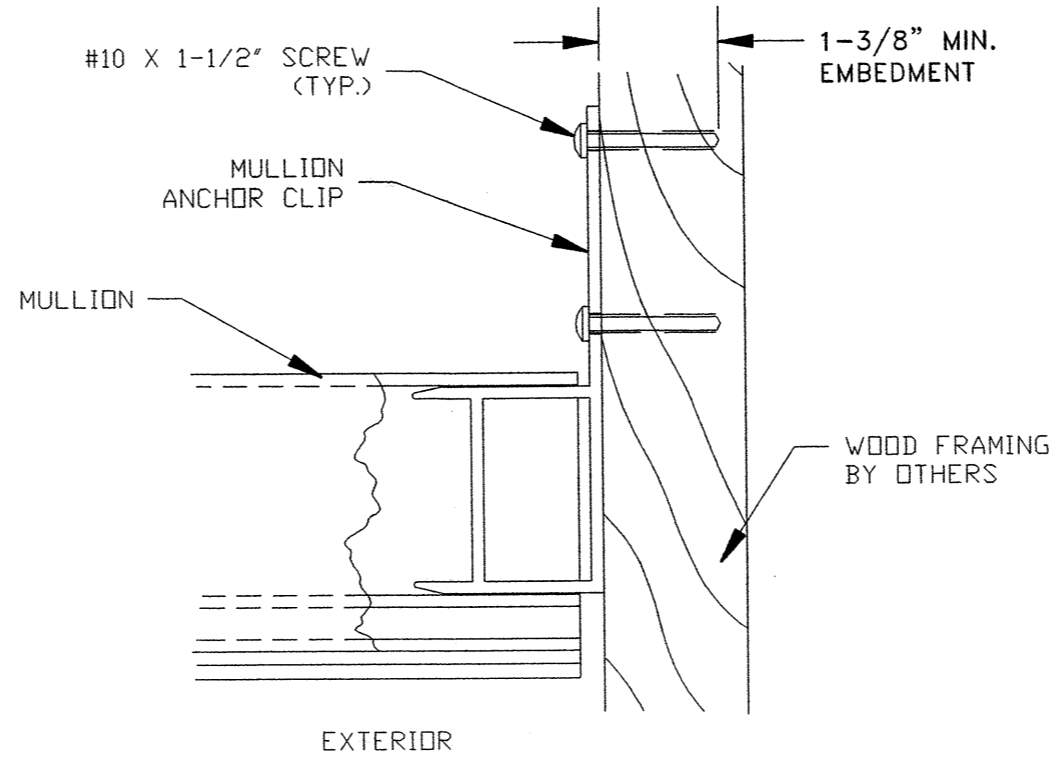
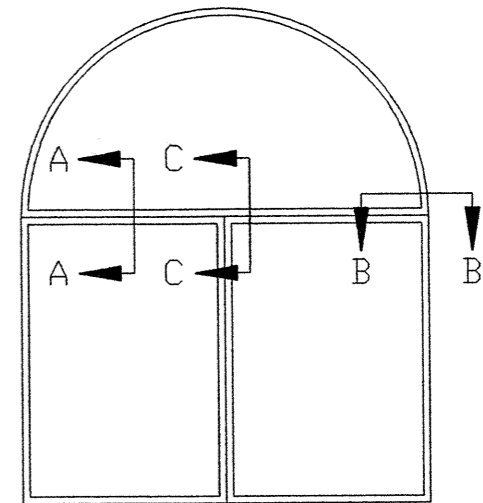


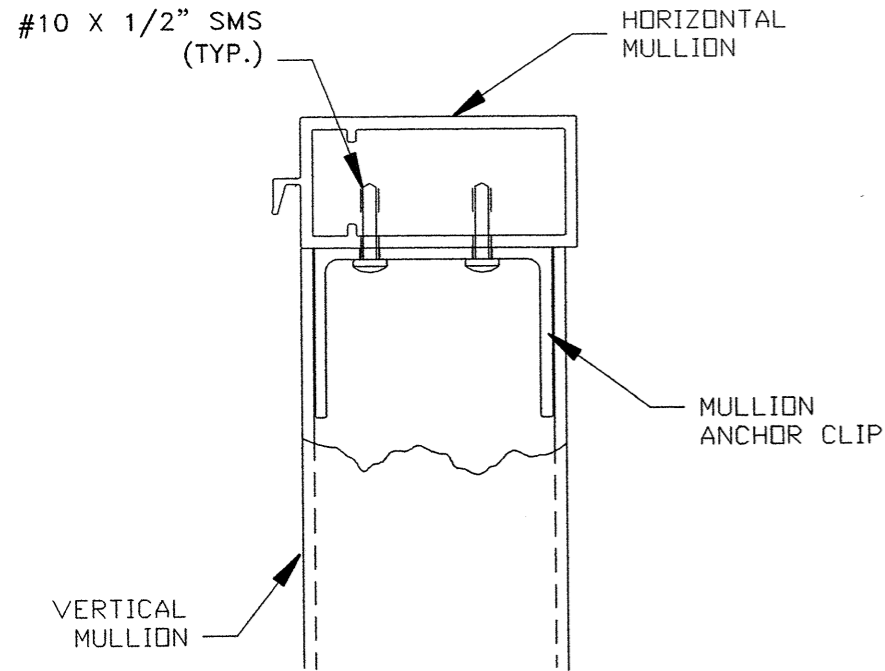
SECTION A-A



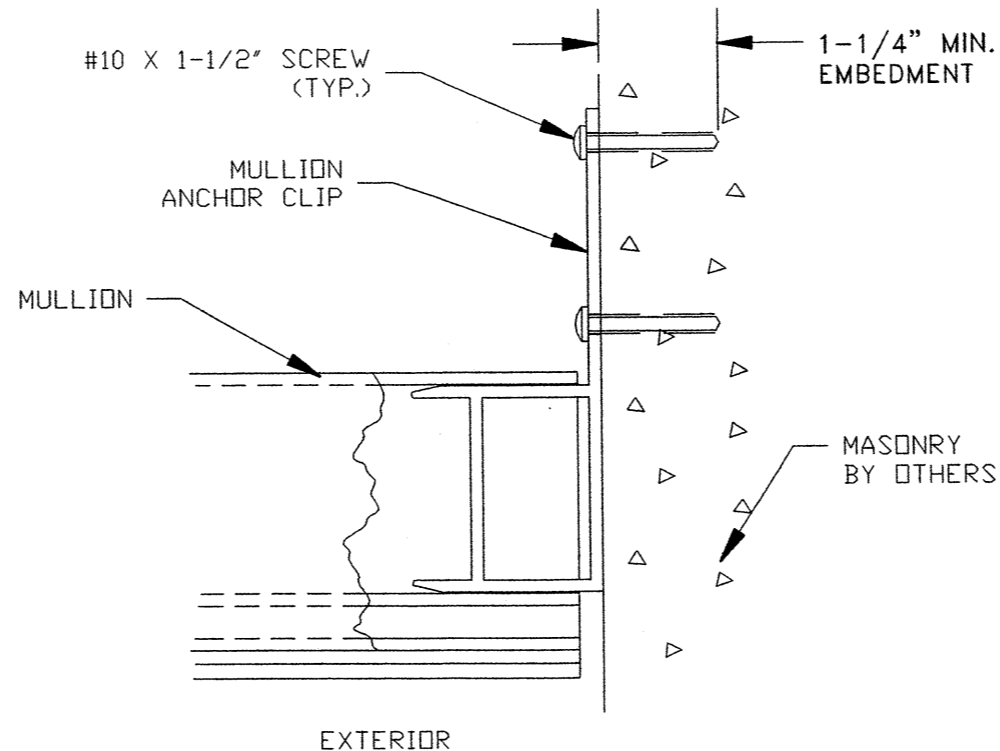
SECTION B-B  
INSTALLATION IN WOOD FRAME



EXTERIOR ELEVATION



DETAIL C-C  
INSTALLATION IN MASONRY



SECTION B-B  
INSTALLATION IN MASONRY

- NOTES:
- 1) FOR DESIGN PRESSURE CAPACITY OF MULLION AND CONNECTION, SEE SHEET 11 IN ENGINEER'S NOTICE OF PRODUCT ACCEPTANCE.
  - 2) MULLION MUST BE ANCHORED TO THE STRUCTURE AS SHOWN.
  - 3) SECTIONS AND DETAILS ON THIS SHEET SHOW CONNECTION AT RIGHT JAMB. CONNECTION AT LEFT JAMB TO BE SAME AS SHOWN.

CUSTOM WINDOW SYSTEMS, INC.  
OCALA, FLORIDA

TITLE: HORIZONTAL MULLION ANCHOR DETAILS		
ENGINEER: MANUEL MARTINEZ, P.E.	DRN: JS	DATE: 2/4/02
DISCIPLINE: CIVIL	SCALE: N.T.S.	DWG. NO: CWS-0107
FL. REG. NO: 47182	REV. LETTER:	SHEET: 1 OF 1

# CUSTOM WINDOW SYSTEMS, INC.

ALUMINUM MULLION, PART NO. CWS-1188

WHEN USED FOR MULLING TRANSOM

DESIGN PRESSURE CAPACITY CHART IN PSF

## HORIZONTAL MULLION

MULL SPAN > WDW. HGT. V	60	72	78	84	90	96	102
36	116	60	45	34	27	21	17
42	111	57	43	32	25	20	16
48	107	55	41	31	24	19	15
51	106	54	40	31	24	19	15
60	105	52	39	29	23	18	14
63	105	52	38	29	22	17	14
72	105	52	38	28	22	17	13

### NOTES:

- \* CHART APPLIES ONLY TO EXTRUDED ALUMINUM MULLION PART NUMBER CWS-1188 USED HORIZONTALLY.
- \* CHART ASSUMES TRANSOM HEIGHT TO BE ONE HALF WINDOW WIDTH.
- \* WINDOW HEIGHTS SHOWN ON "Y" AXIS OF CHART DESIGNATE HEIGHT OF WINDOWS BELOW TRANSOM AND DO NOT INCLUDE TRANSOM HEIGHT.
- \* READ WINDOW WIDTH AND WINDOW HEIGHT IN INCHES.
- \* DESIGN PRESSURE VALUES ON THIS CHART ARE IN PSF.
- \* MULLION MUST BE ATTACHED DIRECTLY TO STRUCTURE, AT EACH END WITH MULL CLIP NO. CWS-3110. ATTACH EACH CLIP TO MASONRY OR CONCRETE WITH FOUR 3/16 IN. DIA. CONCRETE SCREW ANCHORS OF SUFFICIENT LENGTH TO ACHIEVE MIN. EMBEDMENT OF 1-1/4 IN. ATTACH EACH CLIP TO WOOD FRAME MEMBERS WITH FOUR #10 SCREWS OF SUFFICIENT LENGTH TO ACHIEVE MIN. EMBEDMENT OF 1-3/8 IN.

### PREPARED BY:

**PRODUCT & APPLICATION ENGINEERING, INC.**

250 INTERNATIONAL PARKWAY

SUITE 250

HEATHROW, FLORIDA 32746

PHONE 407 805-0365 / FAX 407 805-0366

CA020104

06-Feb-2002

01-1007

SHT. 13 OF 13

APPROVED  
DATE: 02-06-2002  
BY: [Signature]  
04-0102