

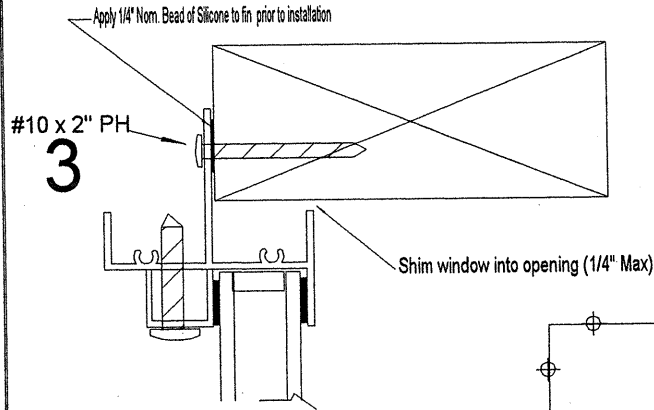
RAMESH PATEL, P.E.

Consulting Engineer

P.O. Box 6695 (33807-6695)
5300 South Florida Avenue G-8
Lakeland, FL 33813

Phone: 863-646-0919
Fax: 863-646-7801

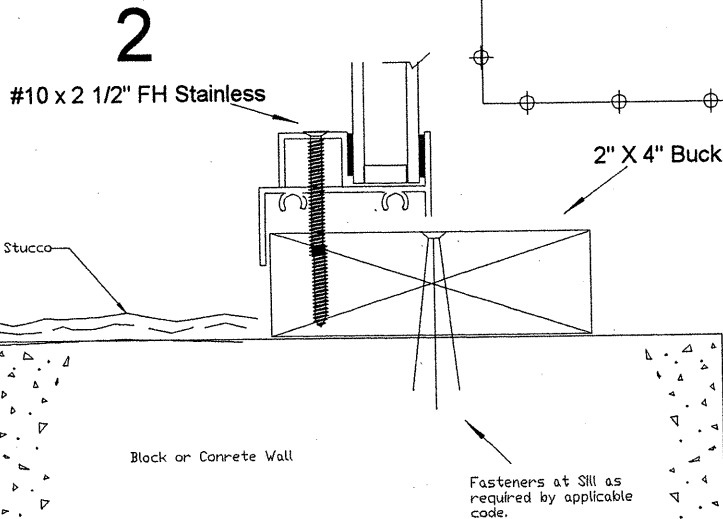
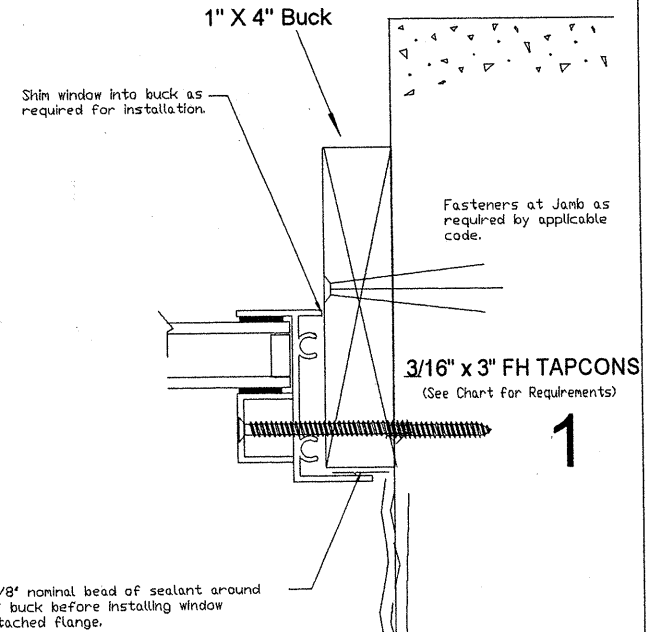
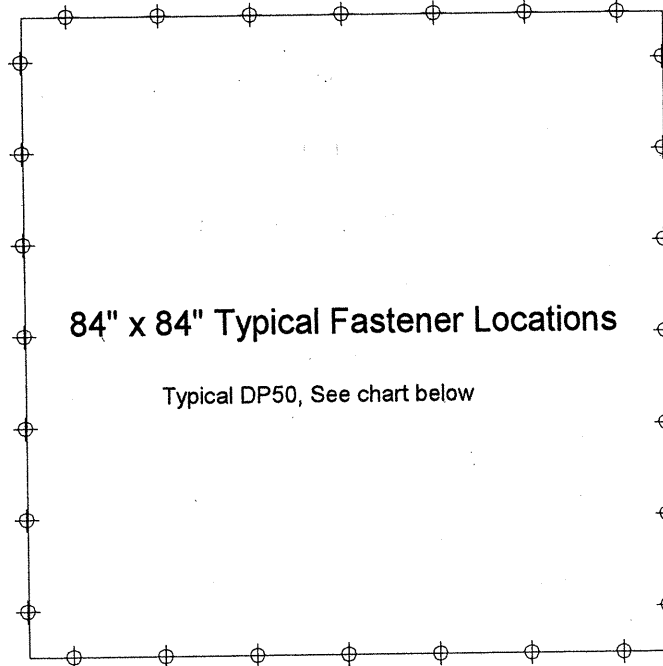
Daytona: 386-255-3245
Tampa: 813-681-6844
Orlando: 407-422-6536



Handwritten signature: Ramesh Patel, P.E. dated 3/29/02

84" x 84" Typical Fastener Locations

Typical DP50, See chart below



Window Fastener Requirements		Spacing		
		DP30	DP50	DP80
1	For 1x Buck, use 3/16" x 3" FH TAPCONS 6" from each corner and spaced per DP	18"	12"	9"
2	For 2x Buck, use #10 x 2 1/2" FH Screws 6" from each corner and spaced per DP	18"	12"	9"
3	For Fin, use #10 x 2" PH Screws 6" from each corner and spaced per DP	18"	12"	9"

Specialty Windows of Florida, Inc.
5520 Industrial Blvd.
Pensacola, Florida 32583

Name: _____

Drawn by: **R. Bradley** Date: **03/27/2002**

Part DWG No. **Series 200 Installation**