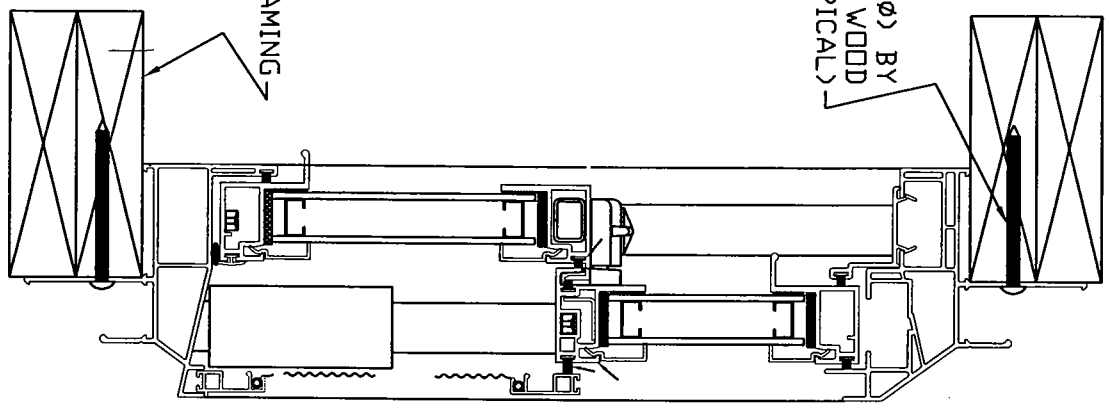


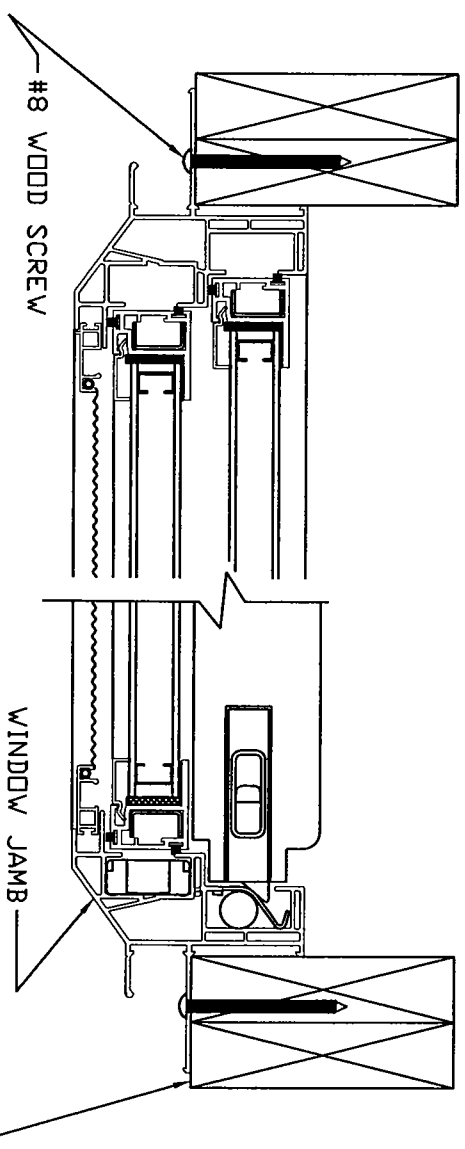
| REV | DATE | DESCRIPTION | BY |
|-----|------|-------------|----|
| | | | |

NOTE: THE FASTENERS SHOWN IN THE ELEVATION AND SECTION VIEWS (12 TOTAL PER WINDOW) ARE CAPABLE OF WITHSTANDING THE WIND PRESSURES IN THE TABLE WITH APPROPRIATE FACTORS OF SAFETY.

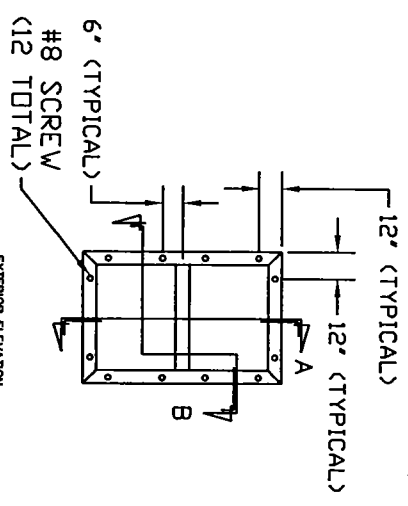
| ATI Test Report # | Model 0301/5301/E301 Double Hung Window Size | Allowable Design Wind Pressure (D.P.) |
|-------------------|--|---------------------------------------|
| 05-30323.04 | 48" x 77" | +/- 25.0 psf |
| 05-30323.04 | 44" x 77" | +/- 30.0 psf |
| 05-30323.04 | 44" x 60" | +/- 35.0 psf |
| 05-30323.04 | 36" x 72" | +/- 50.0 psf |



SECTION - A



SECTION - B



EXTERIOR ELEVATION

PROJECT NO.
01-41462.02
115-34

PROJECT NAME: MODEL 0301/5301/E301 WINDOW INSTALL.
CLIENT: ALSIDE WINDOW COMPANY



DRAWING
NAILING FIN INSTALLATION FASTENERS

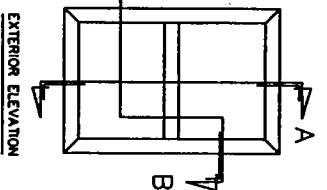
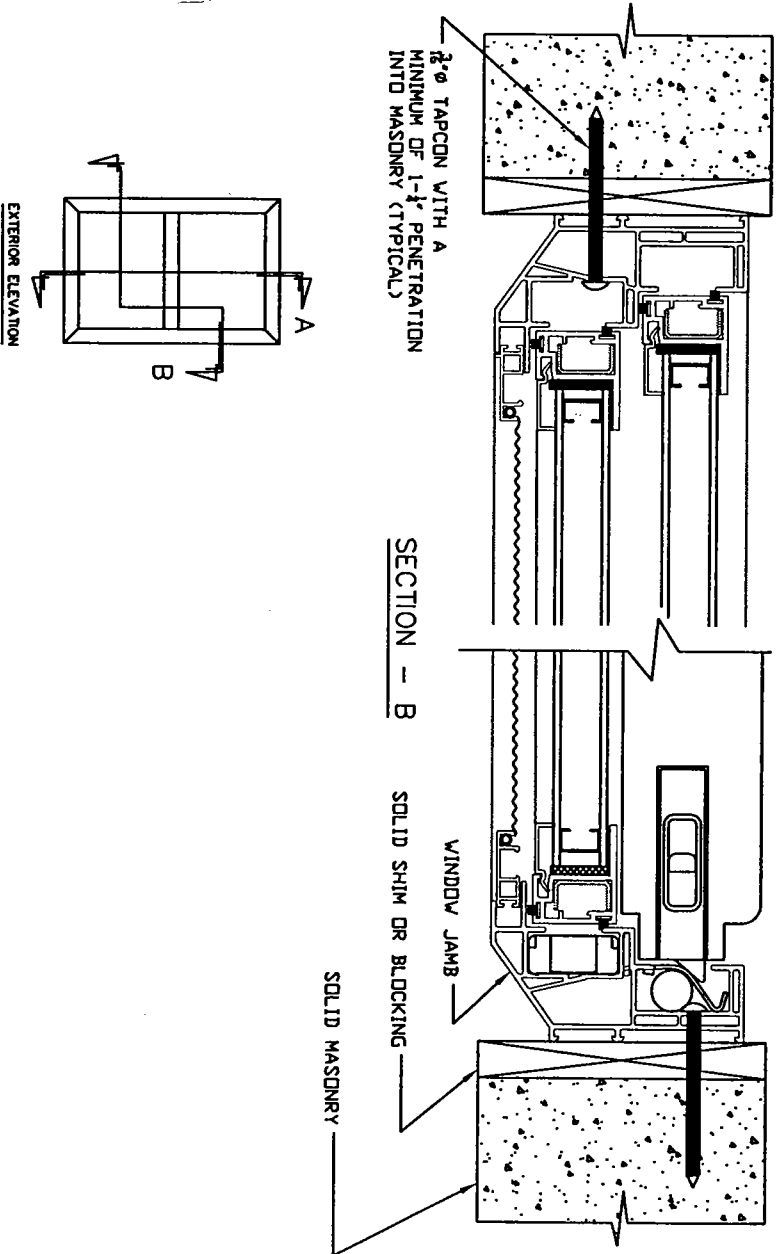
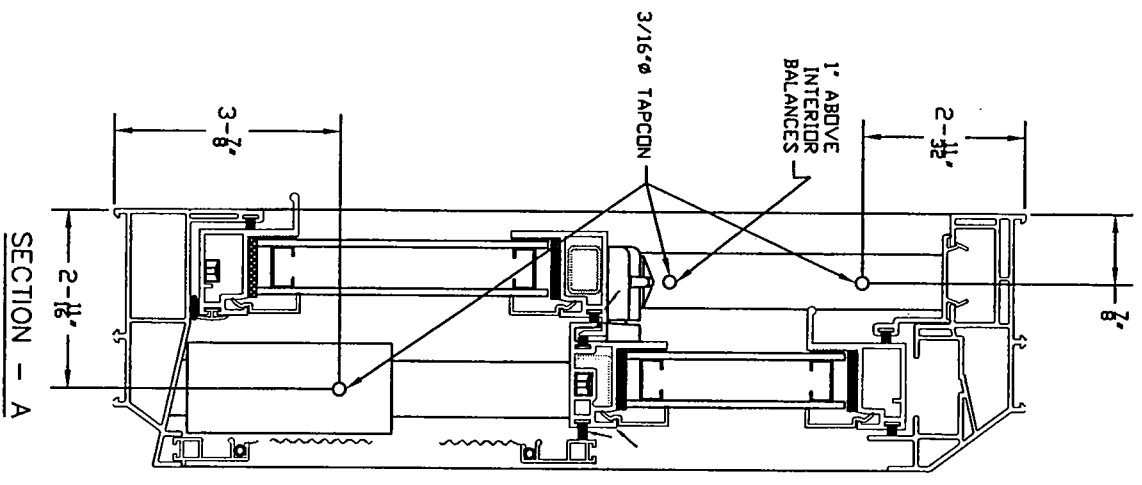
Allen P. Reiser
21 JANUARY 2003

DWG. BY: T.A.H.
DATE: 01/21/03
SHEET 1 OF 1

| REV | DATE | DESCRIPTION | BY |
|-----|------|-------------|----|
| | | | |

NOTE: THE FASTENERS SHOWN IN SECTIONS A AND B (6 TOTAL PER WINDOW) ARE CAPABLE OF WITHSTANDING THE WIND PRESSURES IN THE TABLE WITH APPROPRIATE FACTORS OF SAFETY.

| ATT Test Report # | Model 0301/5301/E301 Double Hung Window Size | Allowable Design Wind Pressure (D.P.) |
|-------------------|--|---------------------------------------|
| 05-30323.04 | 48" x 77" | +/- 25.0 psf |
| 05-30323.04 | 44" x 77" | +/- 30.0 psf |
| 05-30323.04 | 44" x 60" | +/- 35.0 psf |
| 05-30323.04 | 36" x 72" | +/- 50.0 psf |



PROJECT NO.
01-41462.02
115-34

PROJECT NAME: MODEL 0301/5301/E301 WINDOW INSTALL.
CLIENT: ALSIDE WINDOW COMPANY



DRAWING
MASONRY WALL INSTALLATION FASTENERS

Allen M. Reese
21 January 2003

DWG. BY: AH
DATE: 01/20/03
SHEET 1 OF 1