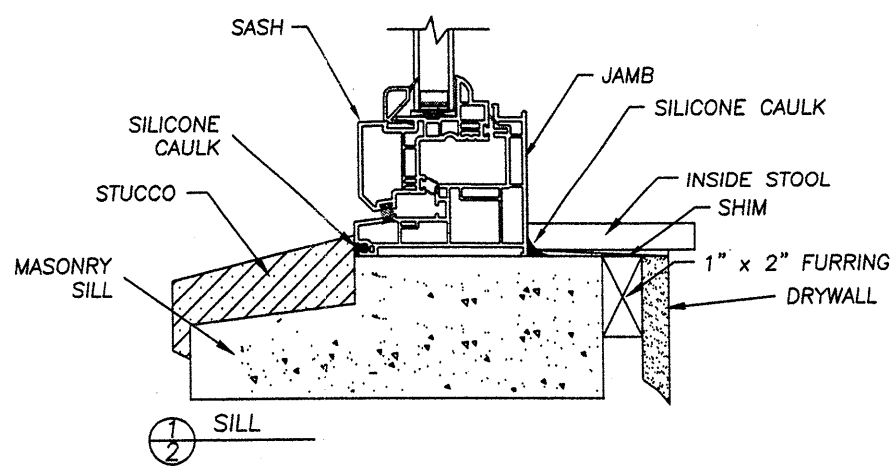
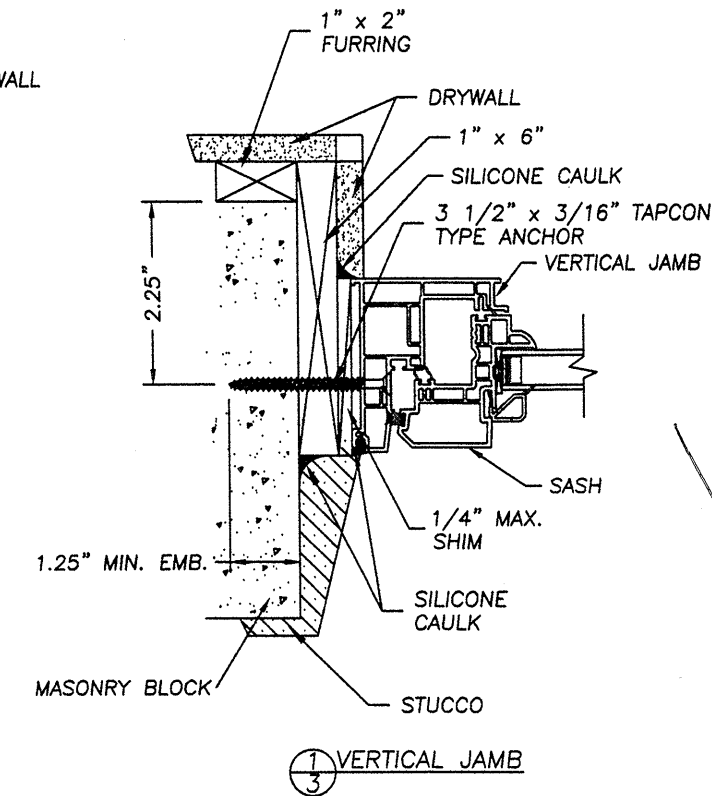
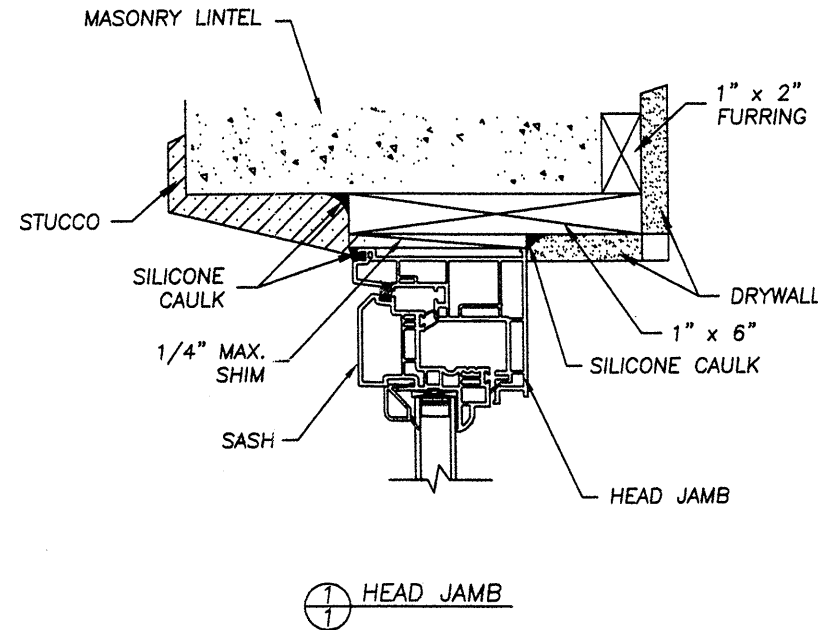
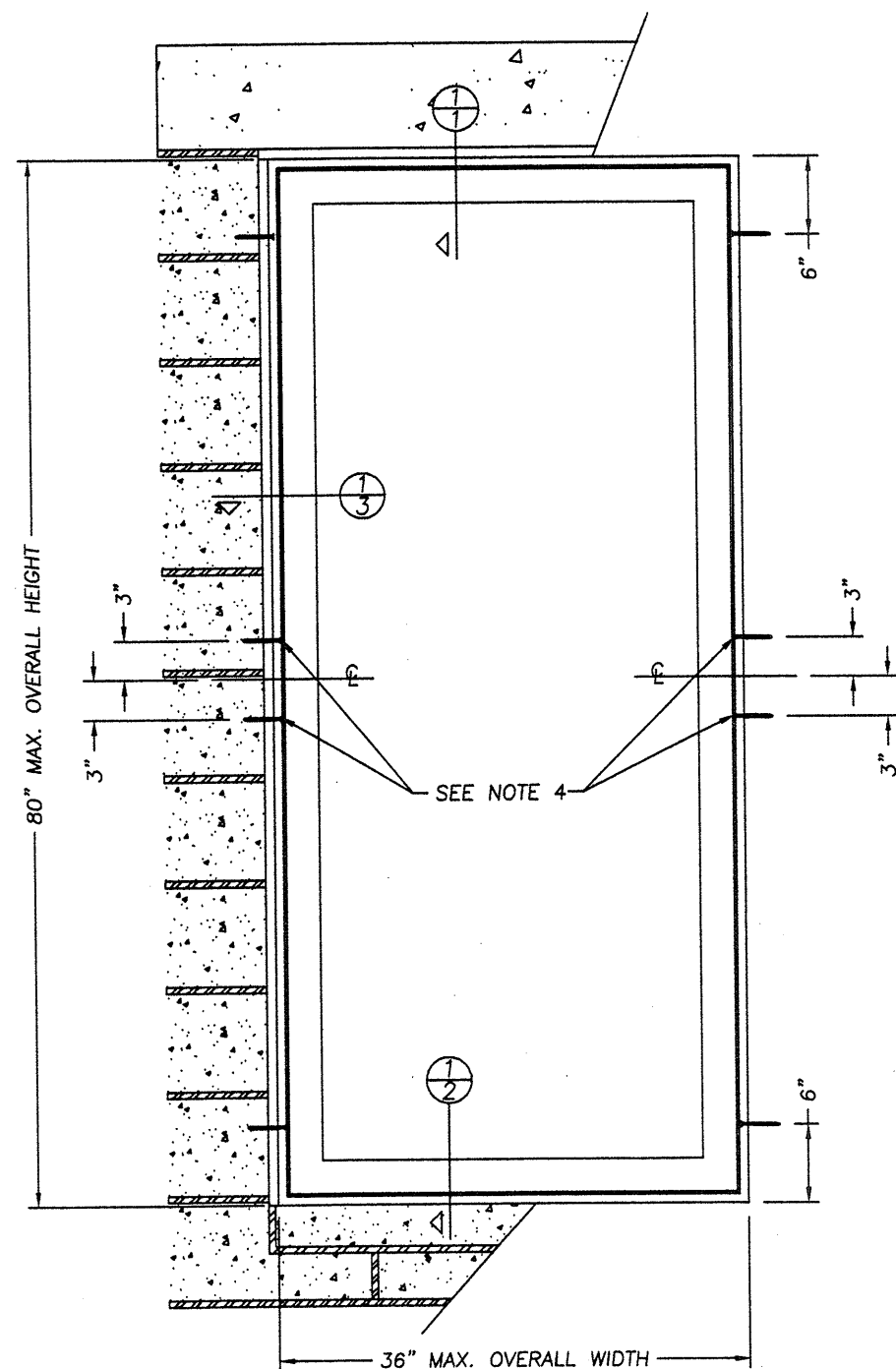


MODEL DESIGNATION: Simonton Casement Series 08-09 Vinyl Window
MAXIMUM OVERALL NOMINAL SIZE: Single up to 36" x 80"
DESIGN PRESSURE RATING: Anchors: Positive 55.0 PSF Negative 55.0 PSF
 Windows: Design Pressure Ratings Vary; See Corresponding AAMA Test Report or Dade NOA or Florida P.E. Evaluation.

USABLE CONFIGURATIONS: X

GENERAL DESCRIPTION: The head and side jambs are extruded PVC. The wall thickness through which the anchor screw penetrates is a minimum of 0.070".



- NOTE:**
1. This system has been evaluated for use in locations adhering to the Florida Building Code and where pressure requirements as determined by ASCE 7 Minimum Design Loads for Buildings and Other Structures do not exceed the design pressure ratings listed herein.
 2. For installations where the sub-buck is less than 1-1/2" (FBC section 1707.4.4 Anchorage Methods and sub-sections 1707.4.4.1 and 1707.4.4.2) Tapcon type concrete anchors must be used and the length must be such that a minimum 1-1/4" engagement of the Tapcon into the masonry wall is obtained.
 3. When going to a smaller window size no anchor screw shall be in a mortar joint. If a screw falls in a mortar joint relocate the screw 2.0" above or below the mortar joint.
 4. When installing a window below 30" in height the center screws are eliminated. When installing a window 30" to 60" in height use (1) screw at the frame center line. When installing a window above 60" to 80" in height anchor as shown with (1) screw 3" above and below the frame center line.
 5. All interior and exterior perimeter surfaces of the window must be caulked.

Simonton Windows
 One Cochran Avenue
 Pennsboro, WV 26415
 PH. 800.426.2249

RWS
 Lyndon F. Schmidt
 Florida P. E. No. 43409
 19506 French Lace Drive
 Lutz, FL 33558

ANCHORING CROSS SECTIONS
 FOR 1x BUCK TO MASONRY
 CASEMENT
 VINYL WINDOW

RW BUILDING
 CONSULTANTS, INC.
 813.684.3831

DATE: 5/20/02
 SCALE: N.T.S.
 DWG. BY: W.L.N.
 CHK. BY: R.W.
 DRAWING NO.: S-105R
 SHEET 1 OF 1