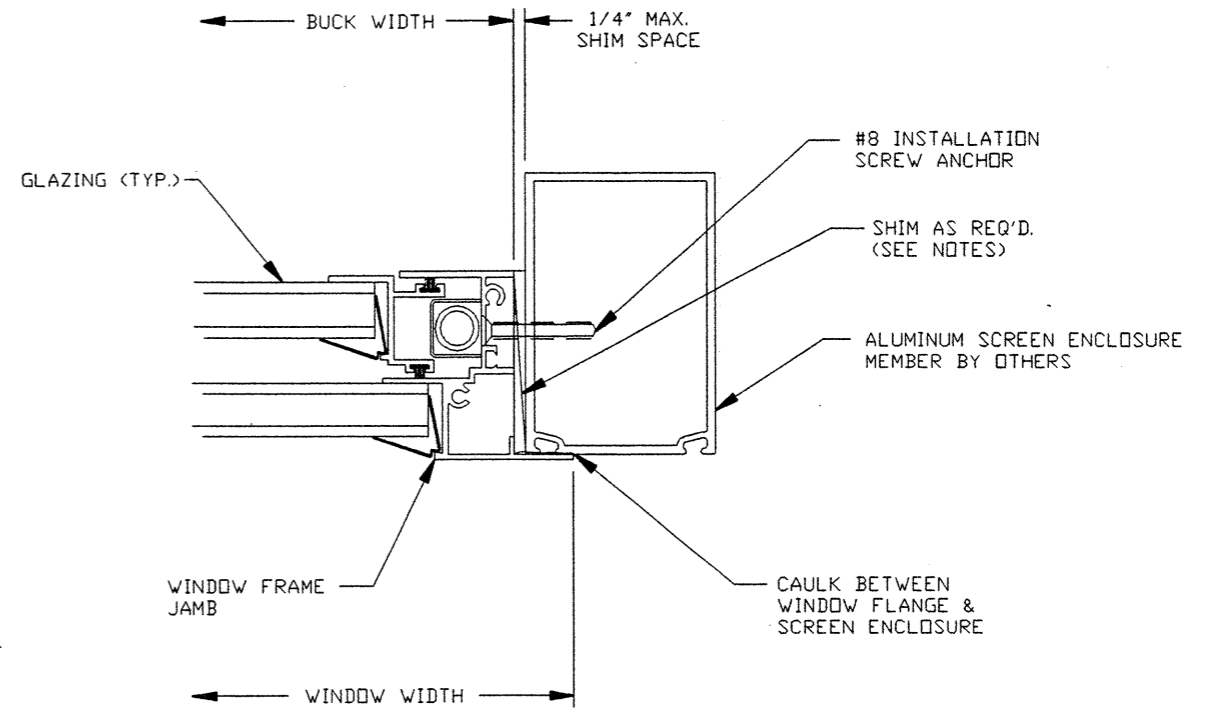
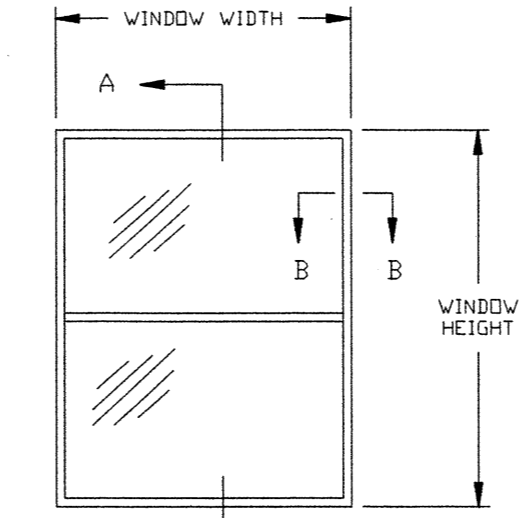


SECTION A-A



SECTION B-B



EXTERIOR ELEVATION

- NOTES:
- 1) WINDOW FRAME MATERIAL ALUMINUM ALLOY 6063.
 - 2) ALL FACTORY APPLIED HOLES IN HEAD & JAMBS SHOULD BE FILLED WITH #8 SCREWS. #8 SCREWS IN SILL SHOULD BE PLACED AT 12" O.C.
 - 3) CAULK BEHIND WINDOW FLANGE @ HEAD & JAMBS WITH LATEX CAULK & @ SILL WITH VULKEM 116 ADHESIVE CAULK. APPLICATION OF CAULKS & SEALANTS MUST COMPLY WITH SEALANT MANUFACTURERS RECOMMENDATIONS.
 - 4) GLASS THICKNESS MAY VARY PER THE REQUIREMENTS OF ASTM E1300 GLASS CHARTS. INSULATING GLASS IS SHOWN. SINGLE GLAZING IS ALSO QUALIFIED.
 - 5) SHIM AS REQ'D. AT EACH INSTALLATION ANCHOR WITH LOAD BEARING SHIM. MAX. ALLOWABLE SHIM STACK TO BE 1/4". USE SHIMS WHERE SPACE IS GREATER THAN 1/16".
 - 6) INSTALLATION AS STATED HEREIN COMPLIES WITH THE FLORIDA BUILDING CODE.

DESIGN PRESSURE
CAPACITY=45.0 PSF

CUSTOM WINDOW SYSTEMS, INC. OCALA, FLORIDA		
TITLE: SERIES 3500 SINGLE HUNG INSTALLATION DETAIL IN ALUMINUM PORCH ENCLOSURE		
ENGINEER: MANUEL MARTINEZ	DRN: BB	DATE: 2/27/02
DISCIPLINE: CIVIL	SCALE: N.T.S.	DWG. NO: CWS0119
FL. REG. NO: 47182	REV. LETTER:	SHEET: 1 OF 1