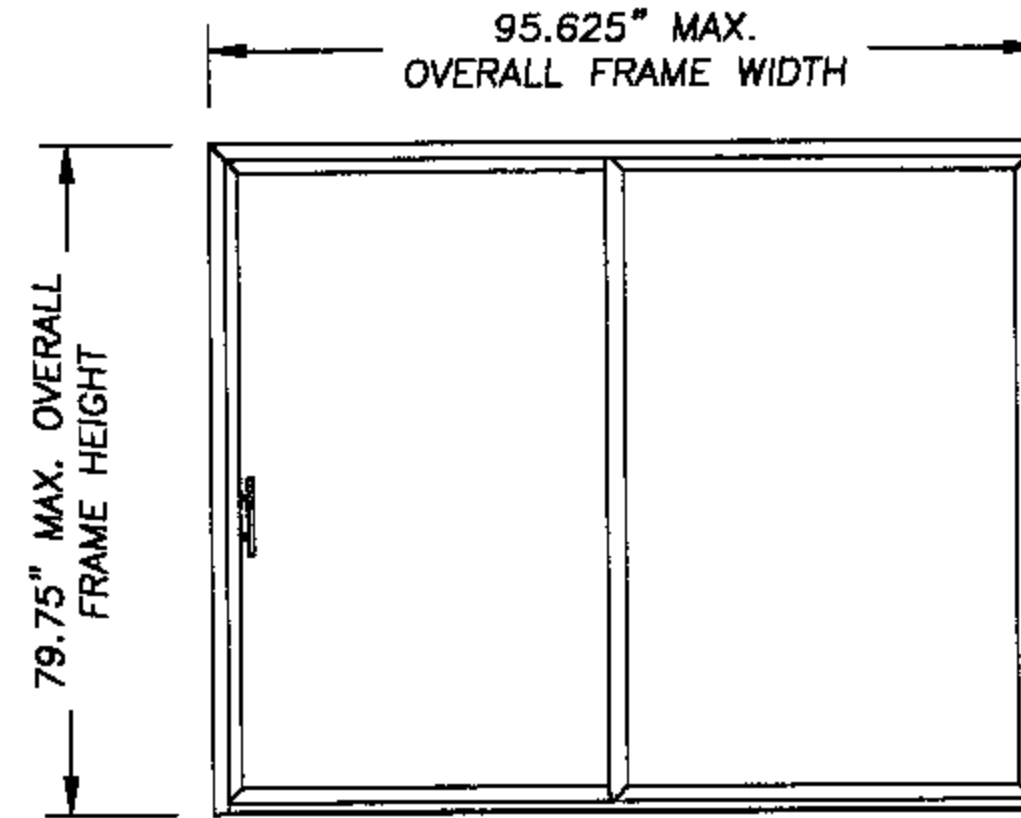
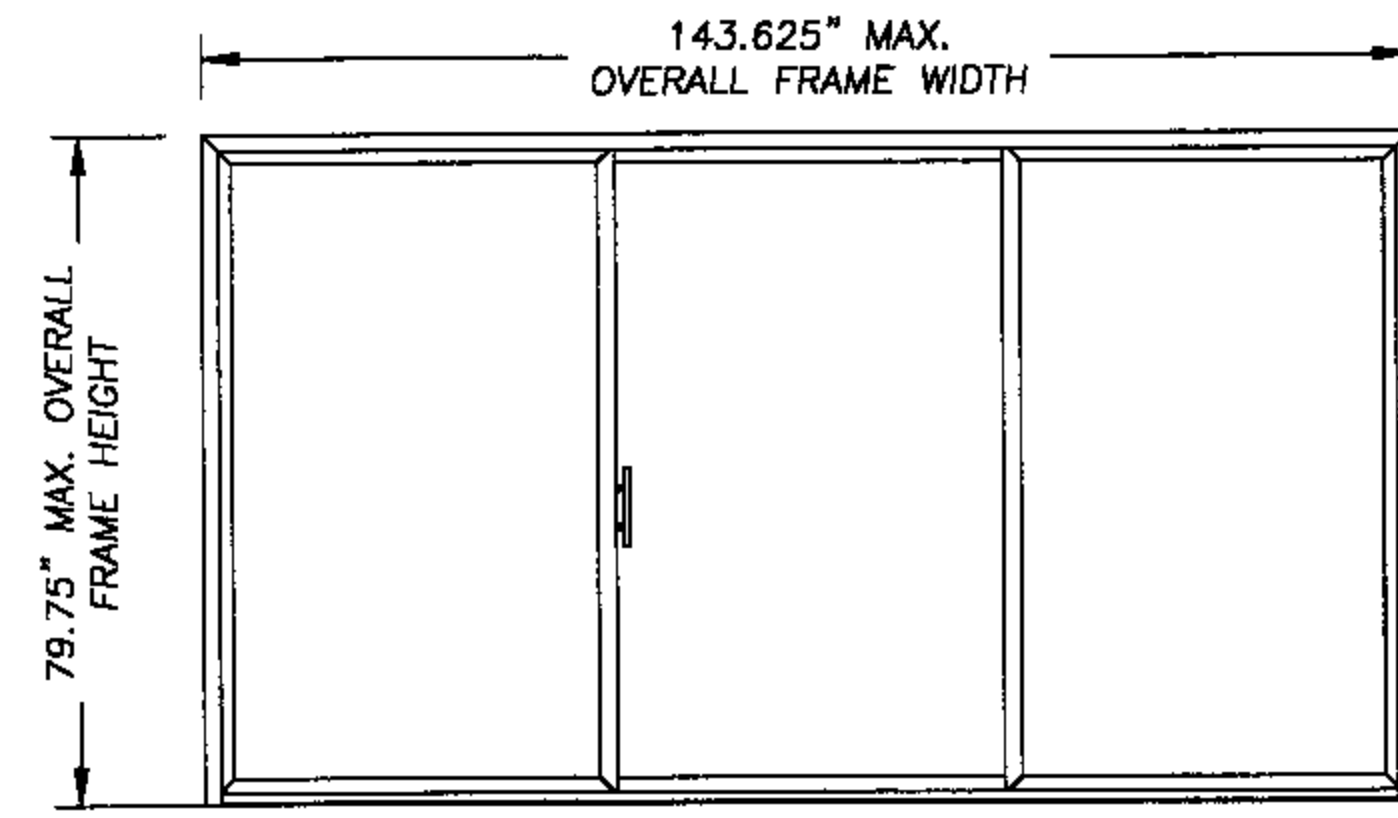


Silverline® 5500/ 5600/ 5700 Series

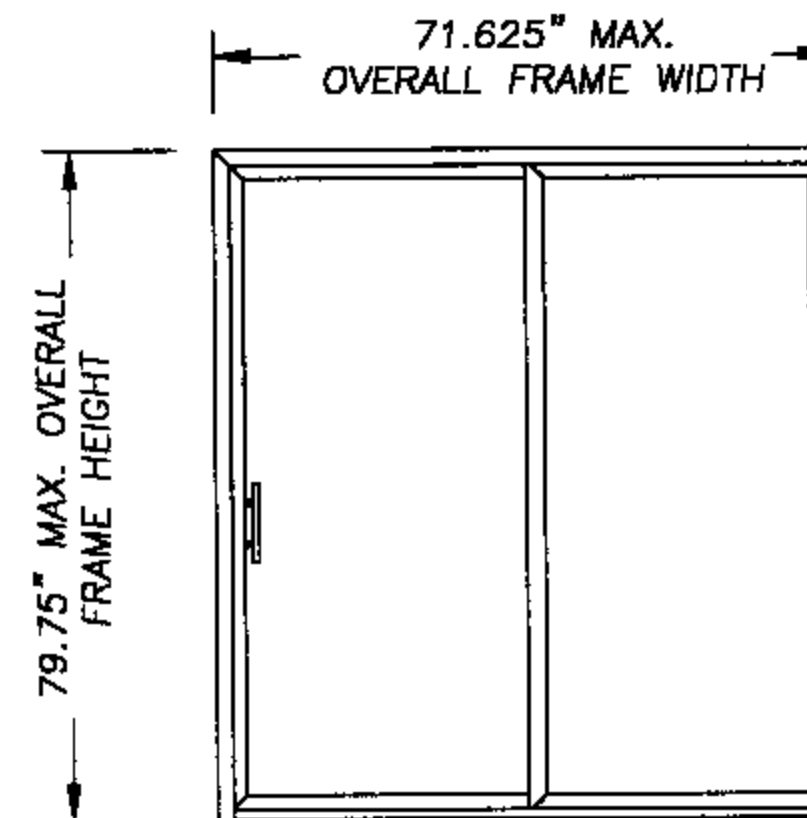
EXTRUDED VINYL PATIO DOORS



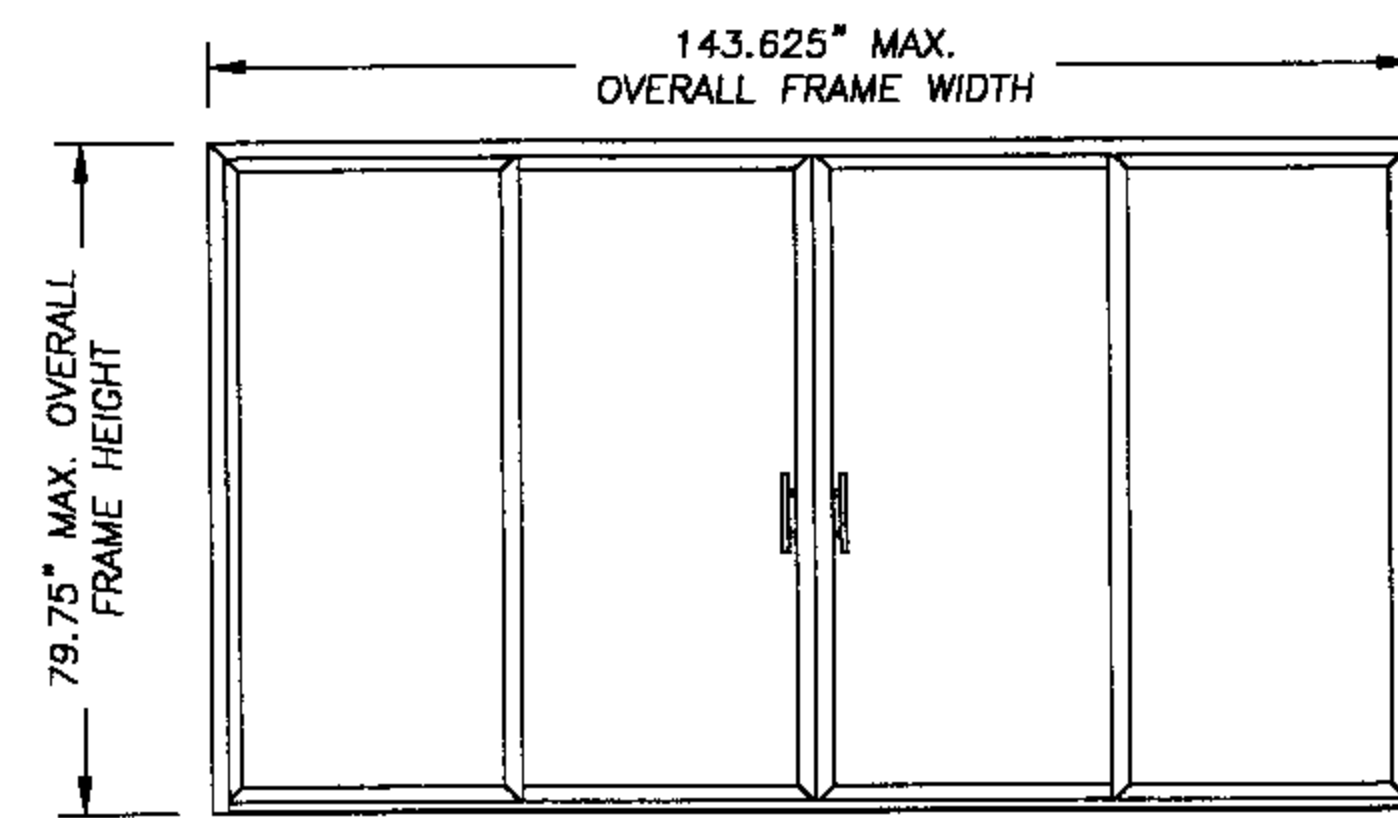
DESIGN PRESSURE RATING
+35.0 psf -35.0 psf



DESIGN PRESSURE RATING
+35.0 psf -35.0 psf



DESIGN PRESSURE RATING
+35.0 psf -39.0 psf




DESIGN PRESSURE RATING
+35.0 psf -35.0 psf

GENERAL NOTES

1. THIS PRODUCT IS DESIGNED TO COMPLY WITH THE FLORIDA BUILDING CODE.
2. PRODUCT ANCHORS SHALL BE AS LISTED AND SPACED AS SHOWN ON DETAILS.
3. WHEN THIS PRODUCT IS USED IN AN AREA REQUIRING WINDBORNE DEBRIS PROTECTION, FLORIDA BUILDING CODE APPROVED IMPACT RESISTANT SHUTTERS ARE REQUIRED.
4. MASONRY ANCHORING FOR 1x BUCK SEE SHEET 2 OF 4.
5. MASONRY ANCHORING FOR 2x BUCK SEE SHEET 3 OF 4.
6. WOOD STUD ANCHORING SEE SHEET 4 OF 4.

PRODUCT DESCRIPTION

1. VINYL SLIDING GLASS DOOR WITH WELDED MITERED CORNERS.
2. THE HEAD AND SIDE JAMBS ARE EXTRUDED VINYL WITH AN EXTERIOR WALL THICKNESS OF 0.070" +/- 0.008"
3. STEEL REINFORCEMENT CHANNEL IS USED IN THE INTERIOR AND EXTERIOR OF THE MEETING STILES.
4. THE GLASS IS 1" OVERALL, CONSISTING OF TWO LITES OF 1/8" TEMPERED TRANSPARENT GLASS.


 August 2, 2002
 Lyndon F. Schmidt
 Florida P. E. No. 43409
 19506 French Lace Drive Lutz, FL 33558

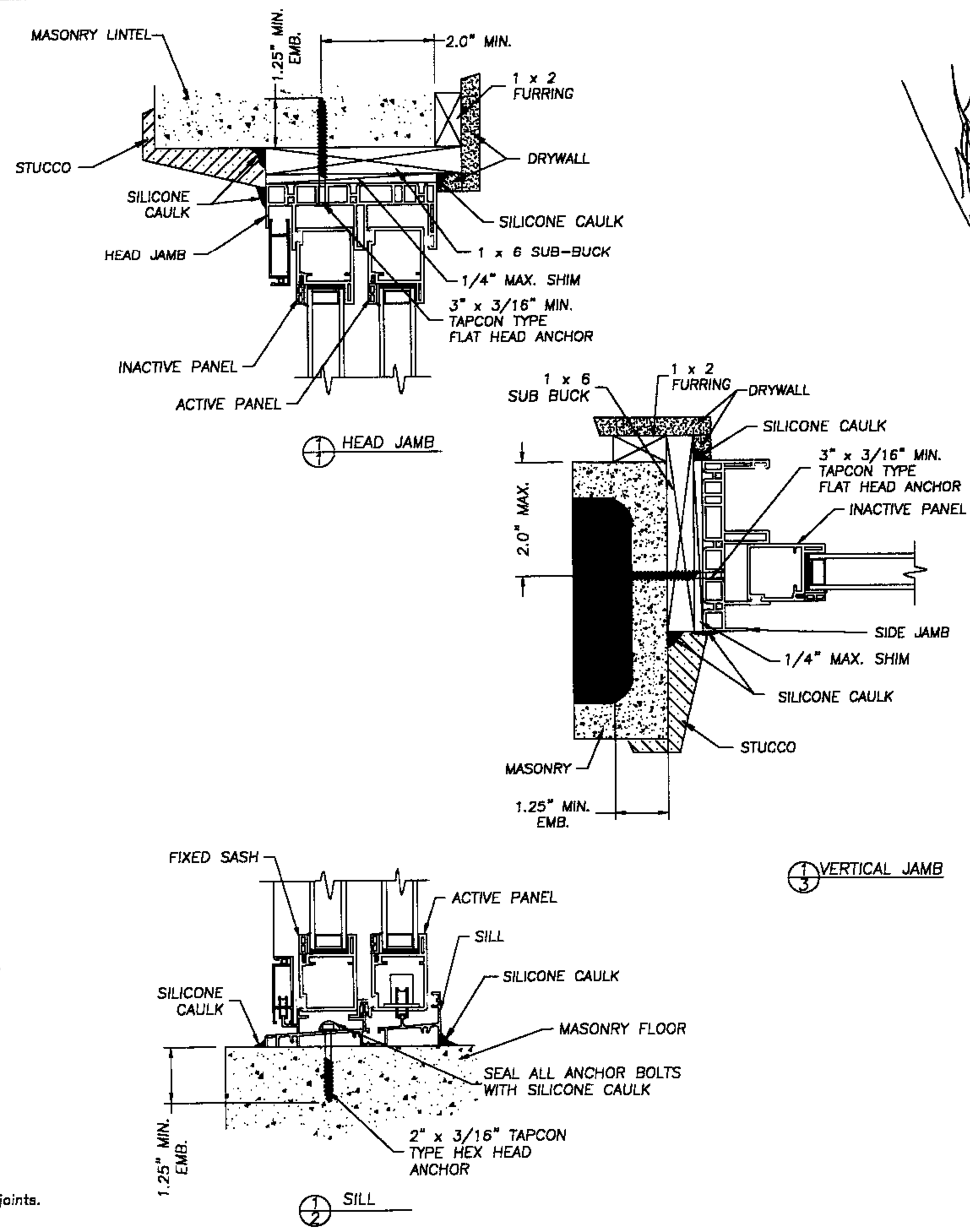
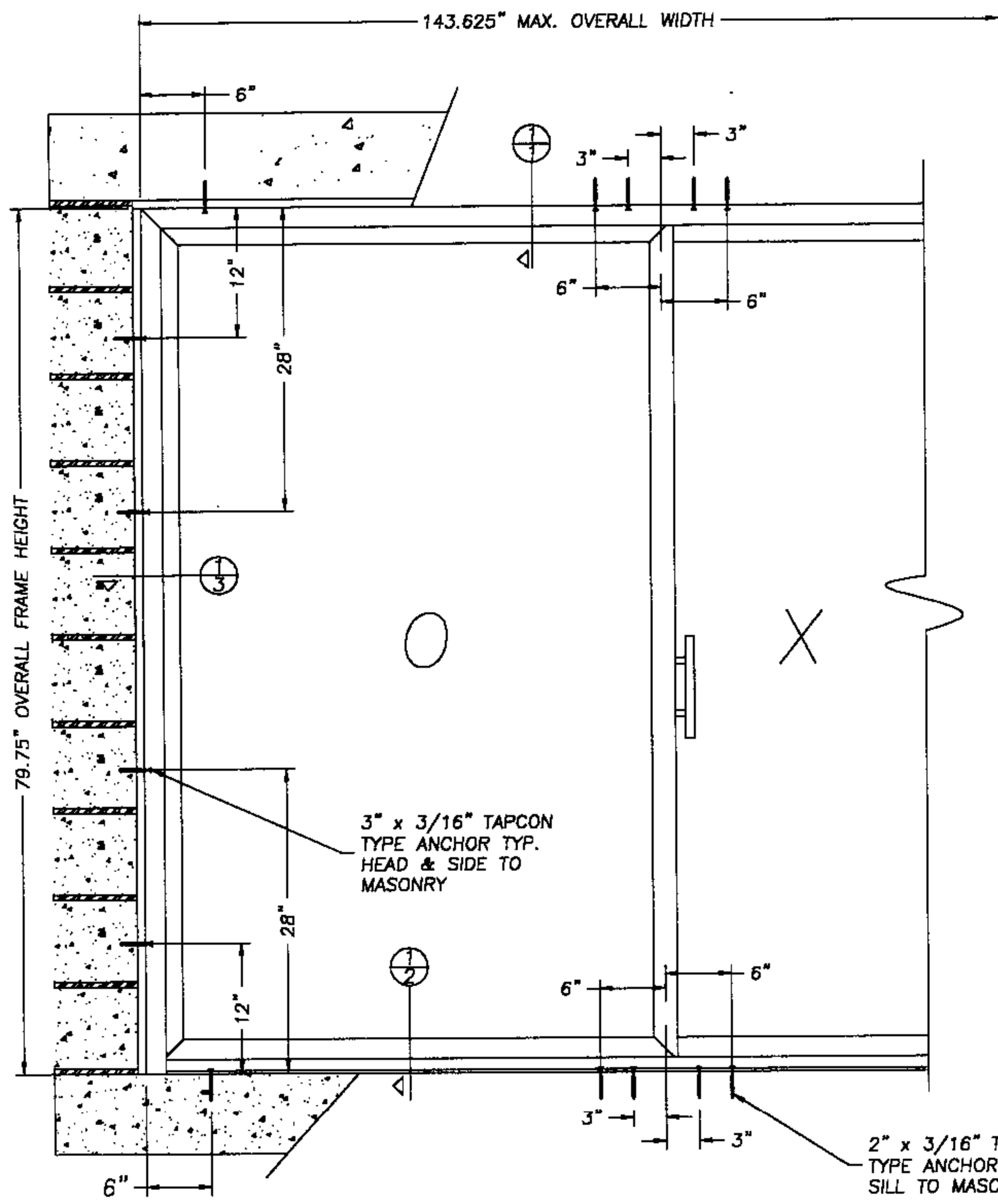
Silverline Building Products Corp.
 One Silverline Drive
 North Brunswick, NJ 08902
 PH. 732.435.1000

PRODUCT: SILVERLINE VINYL PATIO DOOR
 PART OR ASSEMBLY:
 GENERAL NOTES & TYPICAL ELEVATIONS

NO.	DATE	BY	REVISIONS


 RW BUILDING CONSULTANTS, INC.
 813.659.9197

DATE: 6/18/02
 SCALE: N.T.S.
 DWG. BY: WLN
 CHK. BY: RW
 DRAWING NO.: SL-409-OC
 SHEET 1 OF 4



NOTE
Adjust Tapcon anchor locations, if necessary, to maintain a minimum 2.0" clearance from mortar joints.

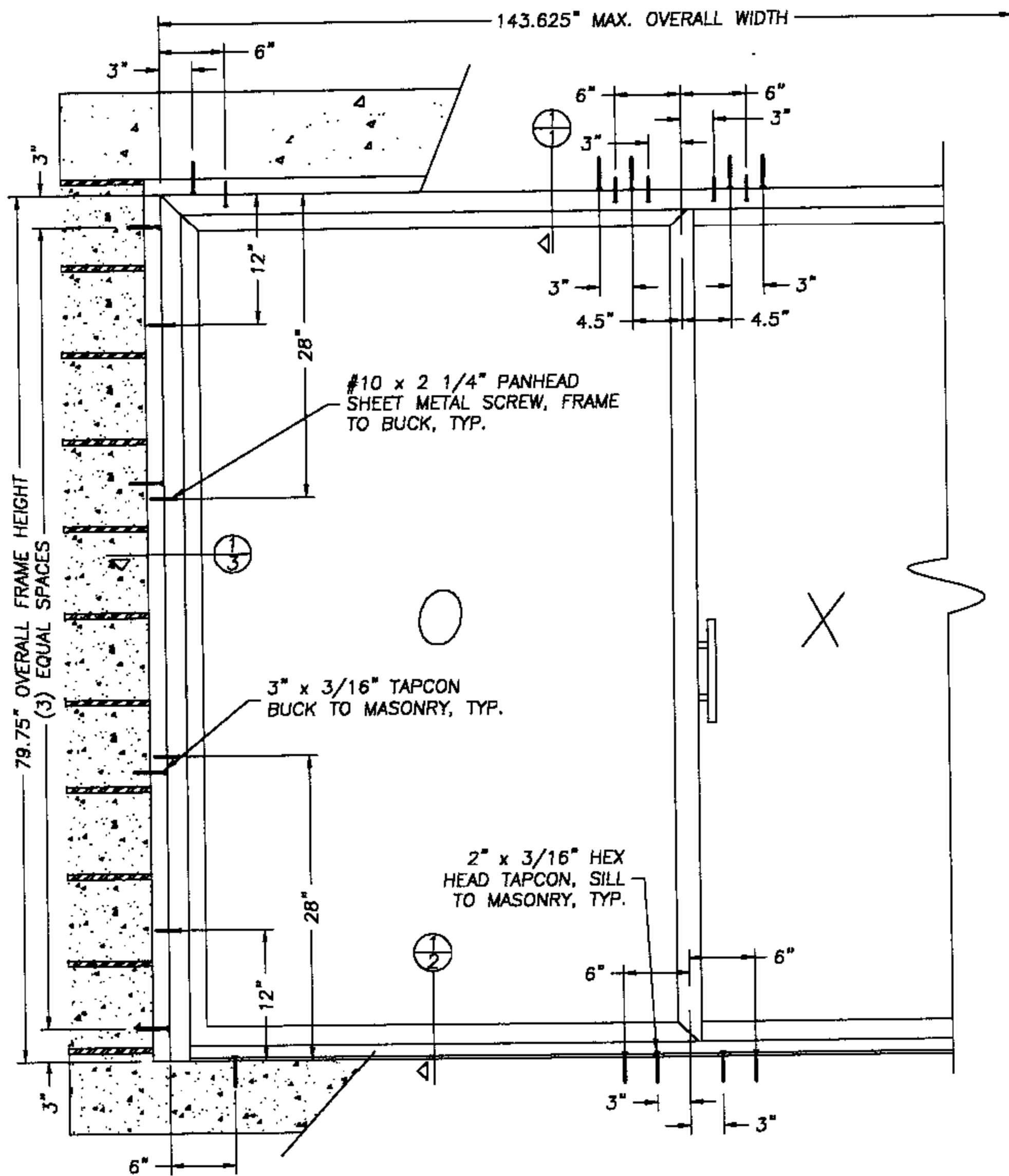
August 2, 2002
Lyndon F. Schmidt
Florida P. E. No. 43409
19506 French Lace Drive
Lutz, FL 33558

Silverline Building Products Corp.
One Silverline Drive
North Brunswick, NJ 08902
PH. 732.435.1000

ANCHORING CROSS SECTIONS
FOR 1X BUCK TO MASONRY
PATIO DOOR
EXTRUDED VINYL DOOR

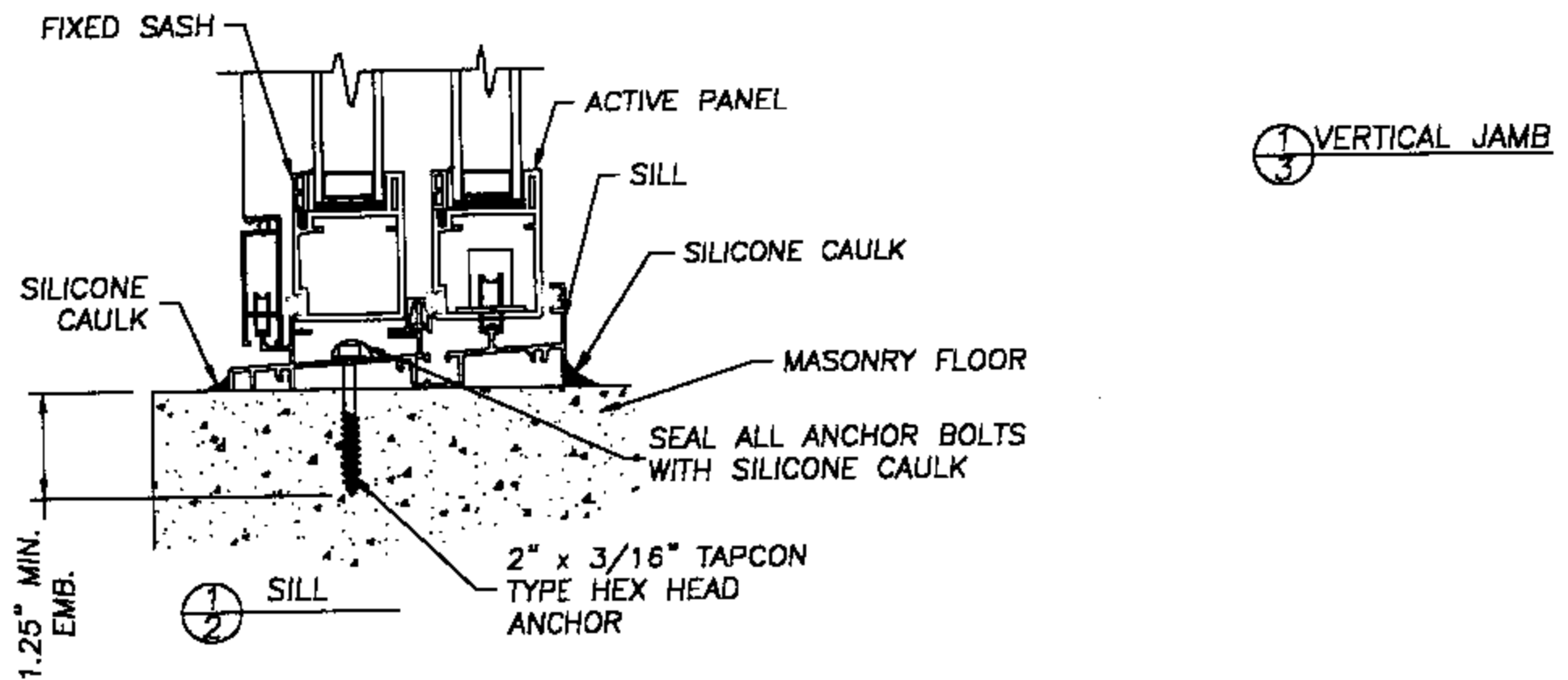
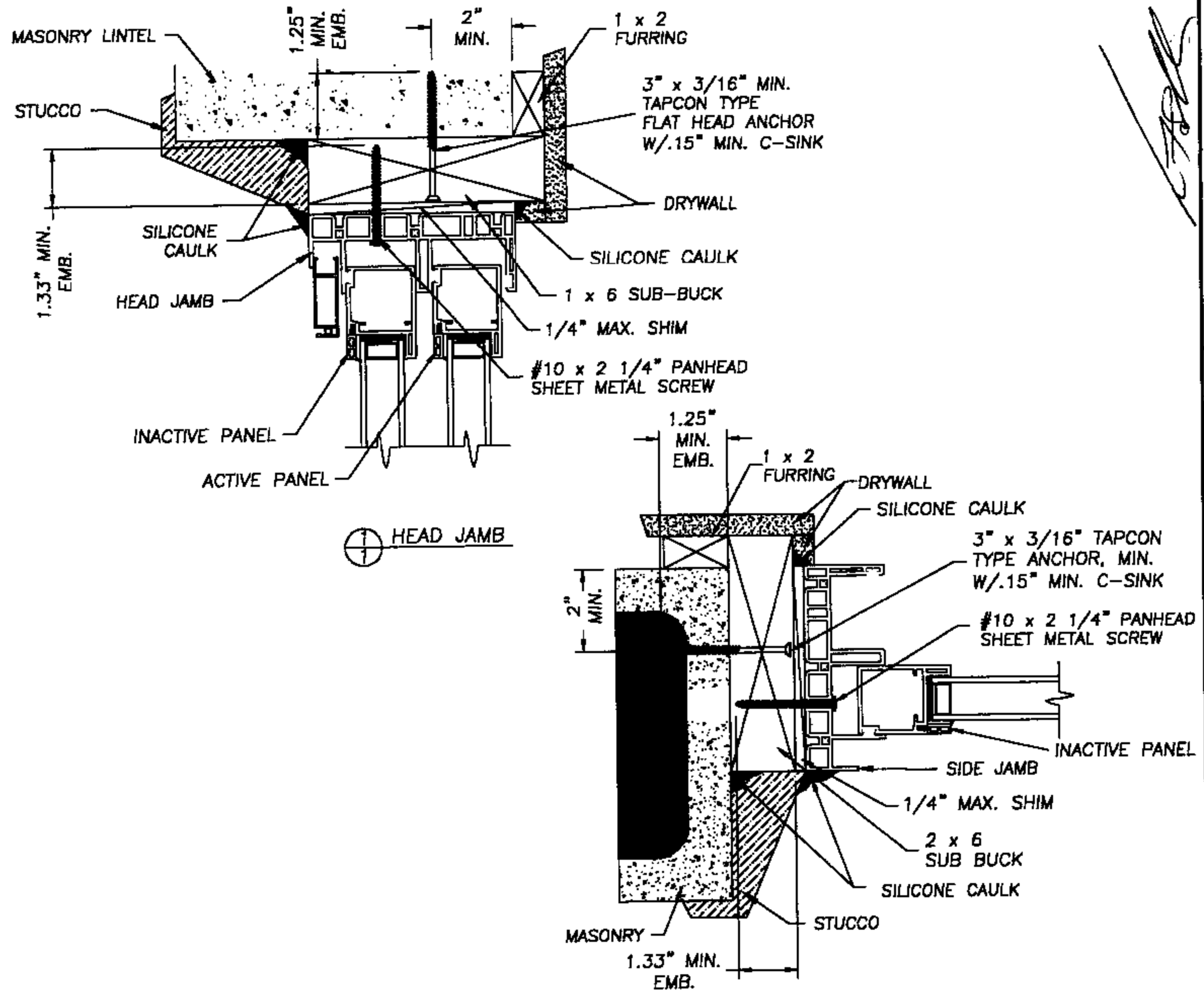
RW BUILDING CONSULTANTS, INC.
813.659-9197

DATE: 6/18/02
SCALE: N.T.S.
DWG. BY: WLN
CHK. BY: R.W.
DRAWING NO.: SL-409-OC
SHEET 2 OF 4



NOTE

Adjust Tapcon anchor locations, if necessary, to maintain a minimum 2.0" clearance from mortar joints.



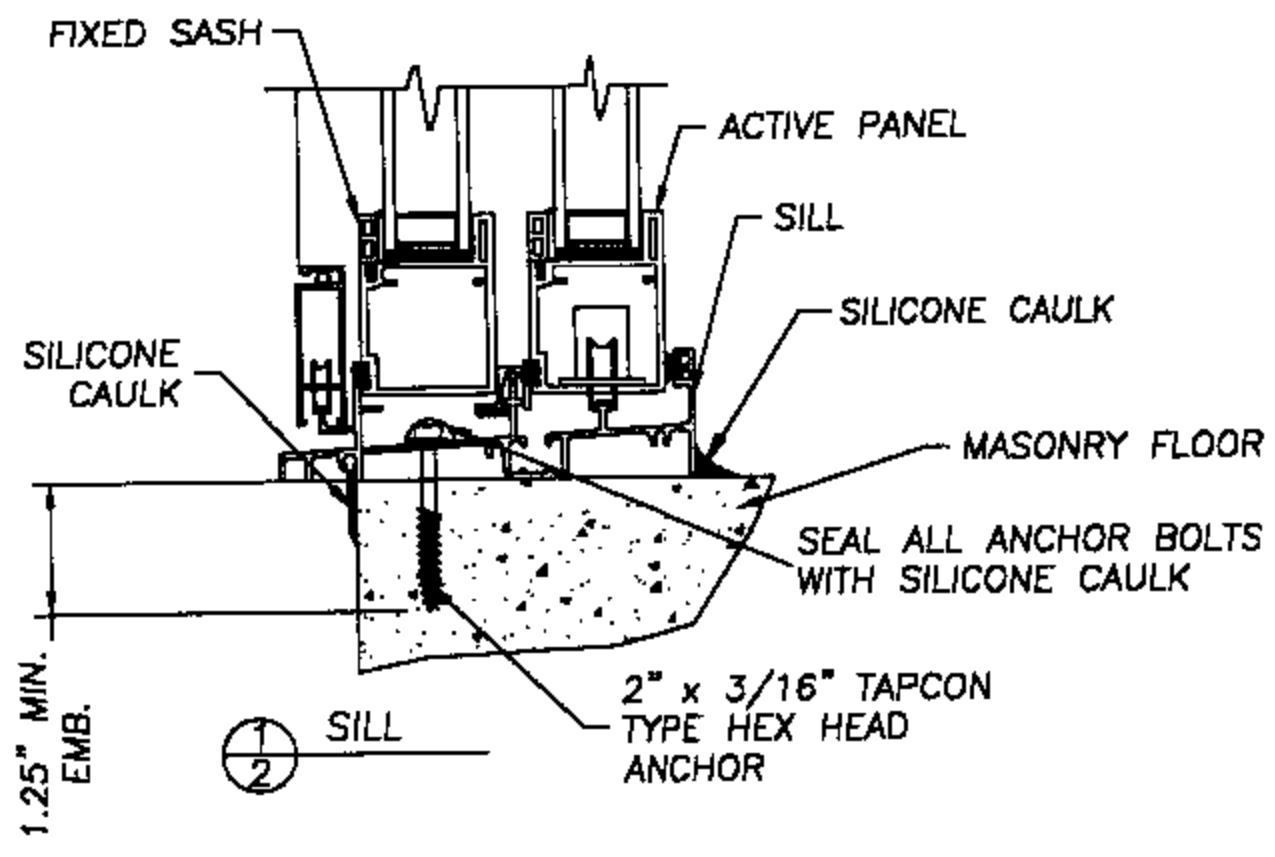
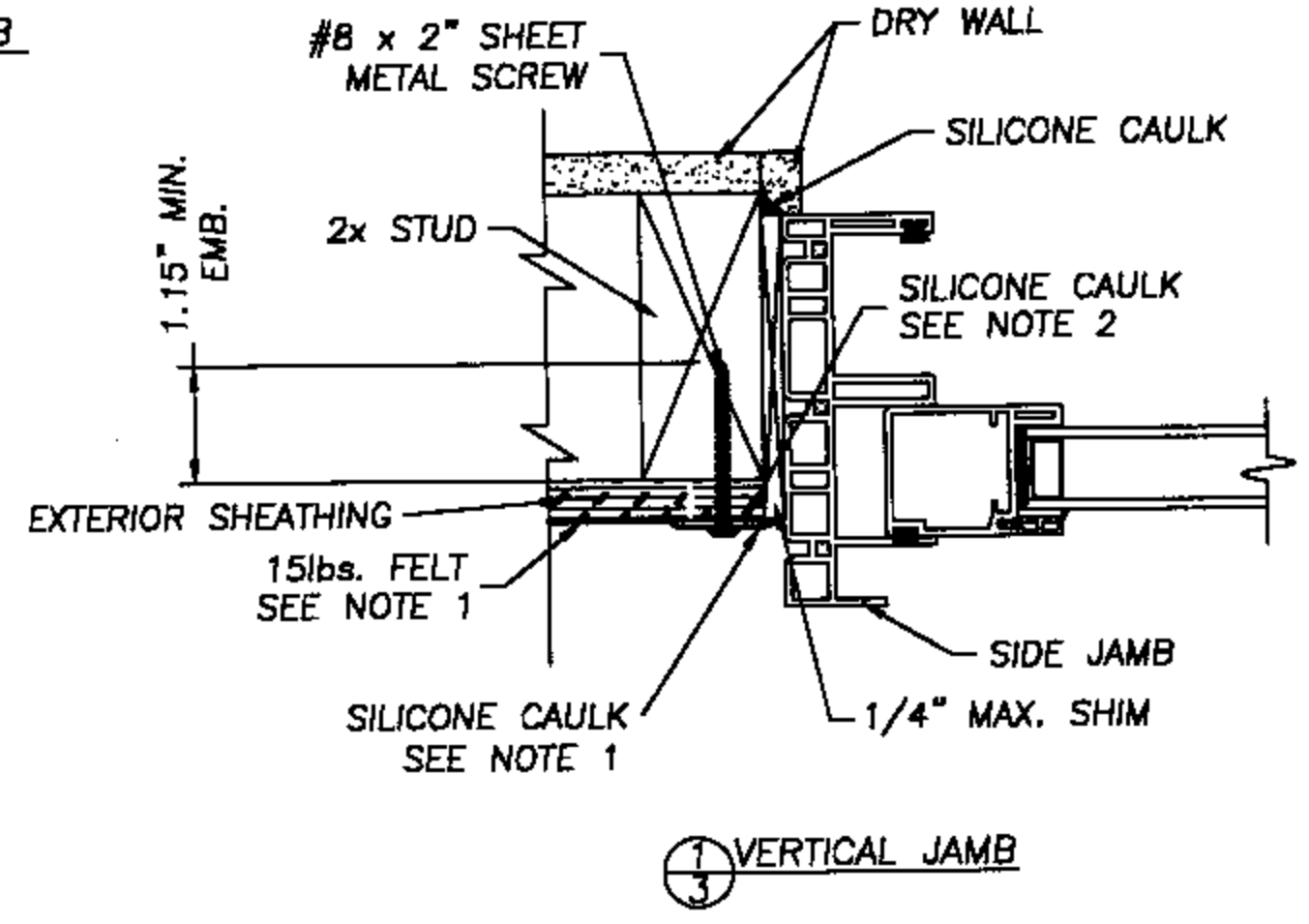
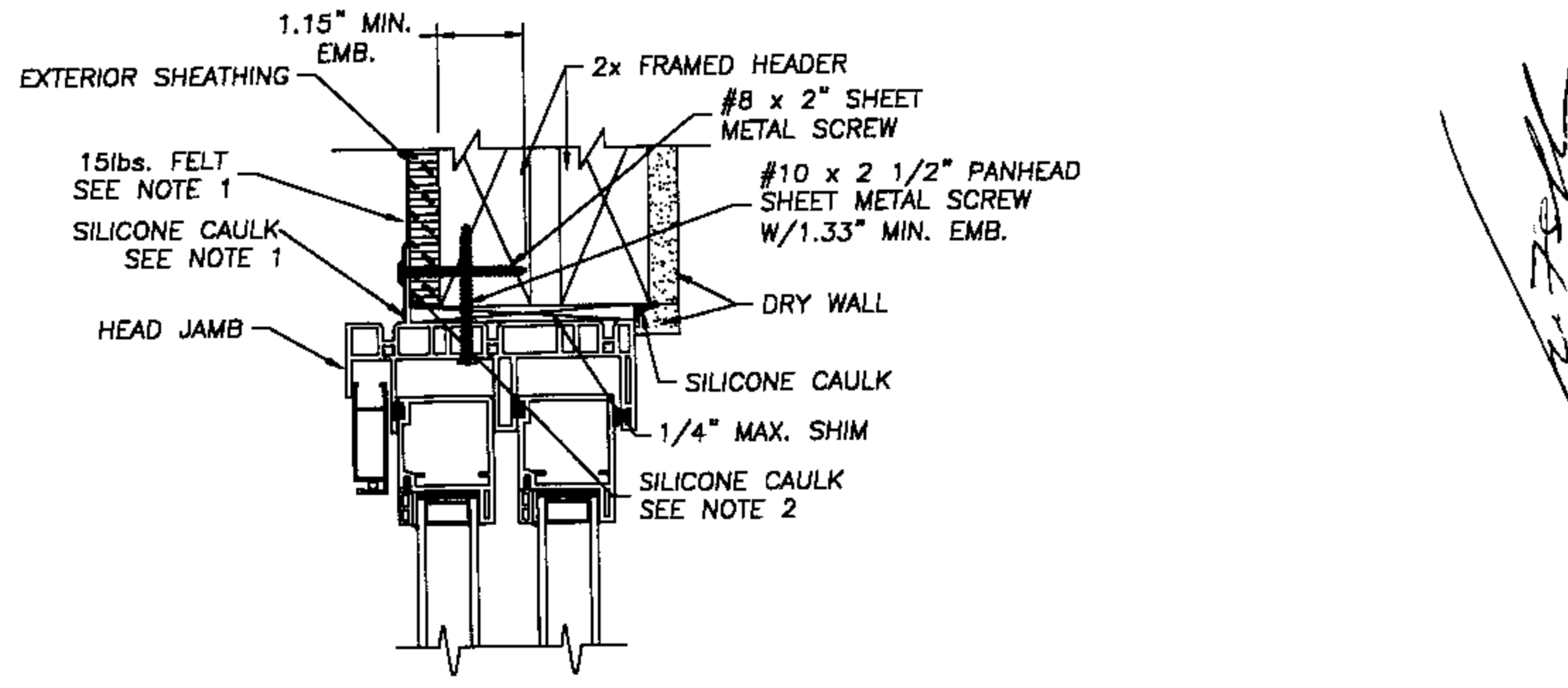
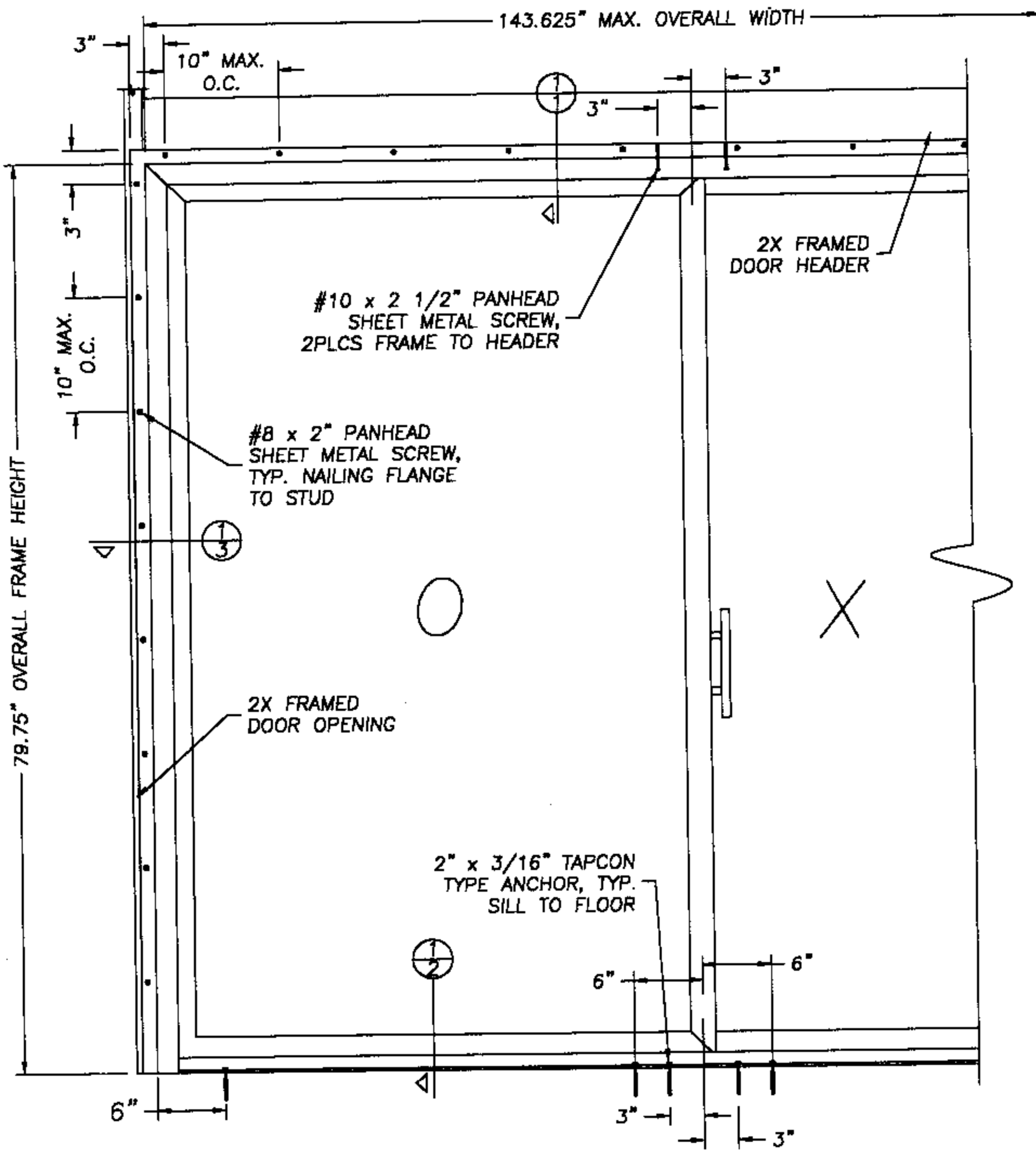
August 2, 2002
 Lyndon F. Schmidt
 Florida P. E. No. 43409
 19506 French Lace Drive
 Lutz, FL 33558

Silverline Building Products Corp.
 One Silverline Drive
 North Brunswick, NJ 08902
 PH. 732.435.1000

ANCHORING CROSS SECTIONS
 FOR 2X BUCK TO MASONRY
 PATIO DOOR
 EXTRUDED VINYL DOOR

RW BUILDING CONSULTANTS, INC.
 813.659.9197

DATE: 6/18/02
 SCALE: N.T.S.
 DWG. BY: WLN
 CHK. BY: R.W.
 DRAWING NO.: SL-409-OC
 SHEET 3 OF 4



- NOTES:**
- 15 lbs. felt must be used as a water barrier. The felt must cover the nailing flange and anchor screw heads. All edges of the felt paper must be sealed with silicone caulk.
 - The full perimeter of the door nailing fin must have a heavy bead of caulk applied to the building side before the unit is placed in the opening.

R.W.

August 2, 2002
 Lyndon F. Schmidt
 Florida P. E. No. 43409
 19506 French Lace Drive
 Lutz, FL 33558

Silverline Building Products Corp.
 One Silverline Drive
 North Brunswick, NJ 08902
 PH. 732.435.1000

ANCHORING CROSS SECTIONS
 FOR WOOD CONSTRUCTION W/
 NAILING FLANGE EXTRUDED
 VINYL PATIO DOOR

RW BUILDING
 CONSULTANTS, INC.
 813.659-9197

DATE: 6/18/02
 SCALE: N.T.S.
 DWG. BY: WLN
 CHK. BY: R.W.
 DRAWING NO.:
 SL-409-OC
 SHEET 4 OF 4