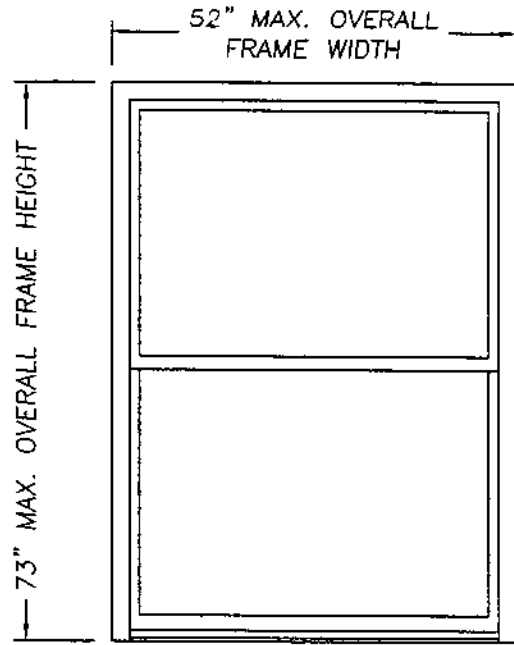
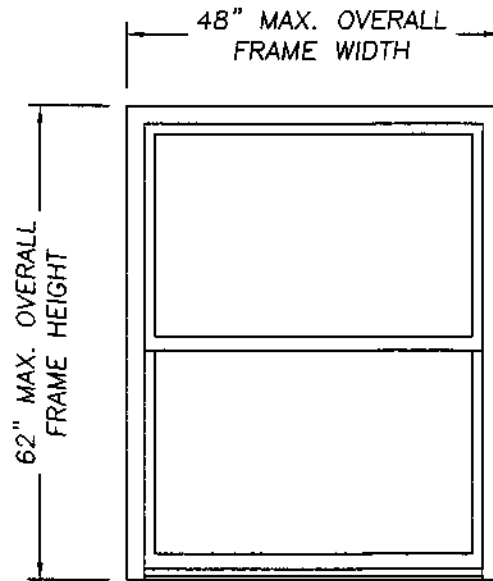


# American Craftsman Windows

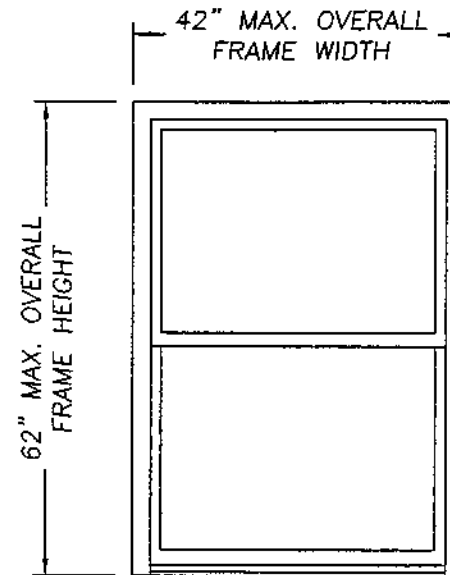
SILVERLINE 2100 SERIES MODEL 2110  
EXTRUDED VINYL SINGLE HUNG WINDOWS



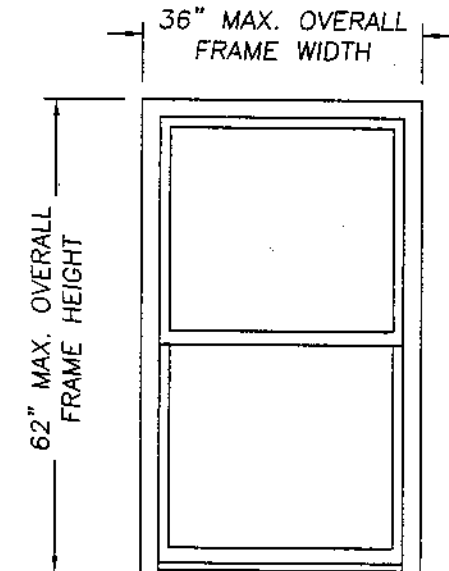
O  
X



O  
X



O  
X



O  
X

DESIGN PRESSURE RATING
POS. 25.0    NEG. 25.0

GLASS TABLE
5/8" INSULATED GLASS
1/8" ANN. - AIR SPACE - 1/8" ANN.

DESIGN PRESSURE RATING
POS. 30.0    NEG. 30.0

GLASS TABLE
5/8" INSULATED GLASS
1/8" ANN. - AIR SPACE - 1/8" ANN.
(ACHIEVED BY COMPARISON ANALYSIS)

DESIGN PRESSURE RATING
POS. 35.0    NEG. 35.0

GLASS TABLE
5/8" INSULATED GLASS
1/8" ANN. - AIR SPACE - 1/8" ANN.
(ACHIEVED BY COMPARISON ANALYSIS)

DESIGN PRESSURE RATING
POS. 45.0 psf    NEG. 45.0 psf

GLASS TABLE
5/8" INSULATED GLASS
1/8" ANN. - AIR SPACE - 1/8" ANN.

## GENERAL NOTES

1. THIS PRODUCT IS DESIGNED TO COMPLY WITH THE FLORIDA BUILDING CODE.
2. PRODUCT ANCHORS SHALL BE AS LISTED AND SPACED AS SHOWN ON DETAILS.
3. WHEN THIS PRODUCT IS USED IN AN AREA REQUIRING WINDBORNE DEBRIS PROTECTION, FLORIDA BUILDING CODE APPROVED IMPACT RESISTANT SHUTTERS ARE REQUIRED.
4. MASONRY ANCHORING FOR 1x BUCK SEE SHEET 2 OF 3.
5. MASONRY ANCHORING FOR 2x BUCK SEE SHEET 3 OF 3.

## PRODUCT DESCRIPTION

1. VINYL SINGLE HUNG WINDOW WITH MITERED AND WELDED CORNERS.
2. THE HEAD AND SIDE JAMBS ARE EXTRUDED VINYL WITH AN EXTERIOR WALL THICKNESS OF 0.070" +/- 0.008".
3. ALL ACTIVE SASH MEMBERS REINFORCED WITH SOLID ALUMINUM BAR STOCK.
4. THE FIXED MEETING RAIL UTILIZES A ROLLED FORMED STEEL REINFORCEMENT.

Lyndon F. Schmidt  
 Florida P. E. No. 43409  
 19506 French Lace Drive    Lutz, FL 33558

American Craftsman Windows  
 P O Box 6029  
 North Brunswick, NJ 08902  
 PH. 800 299-9501

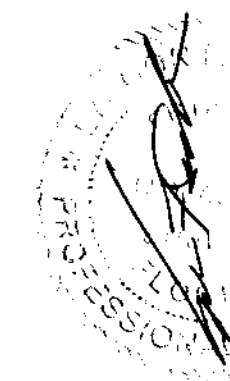
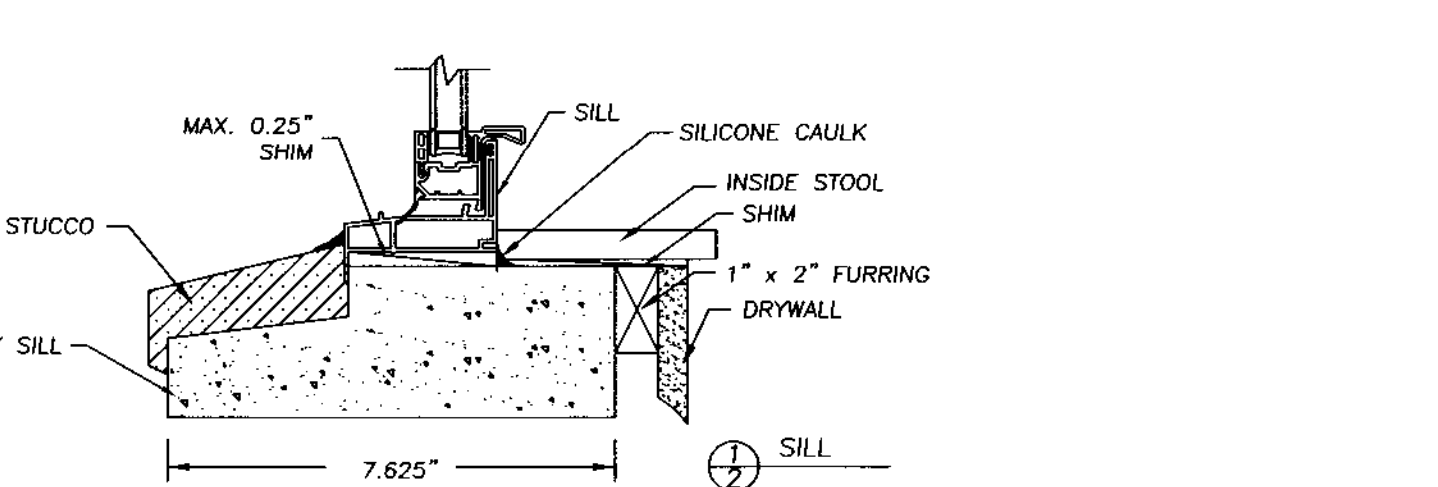
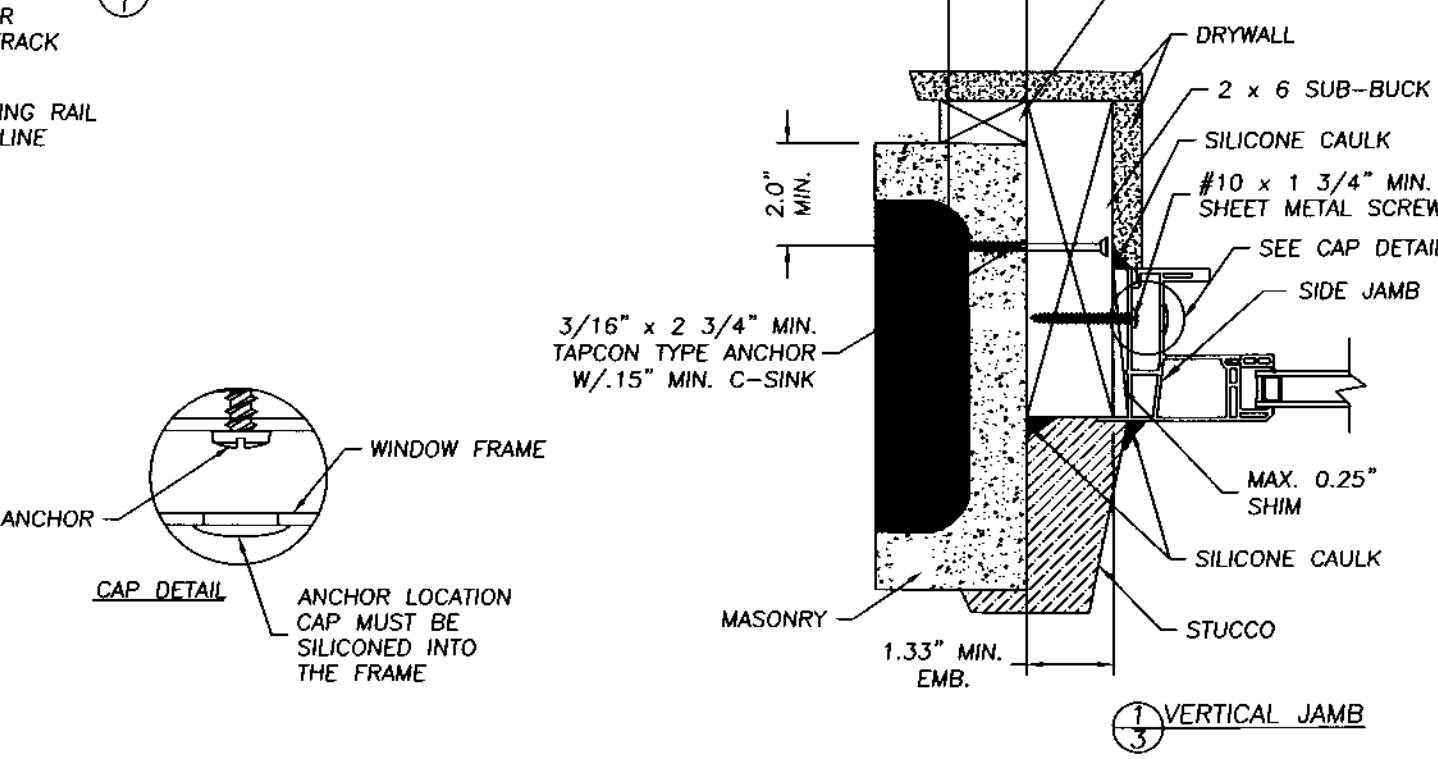
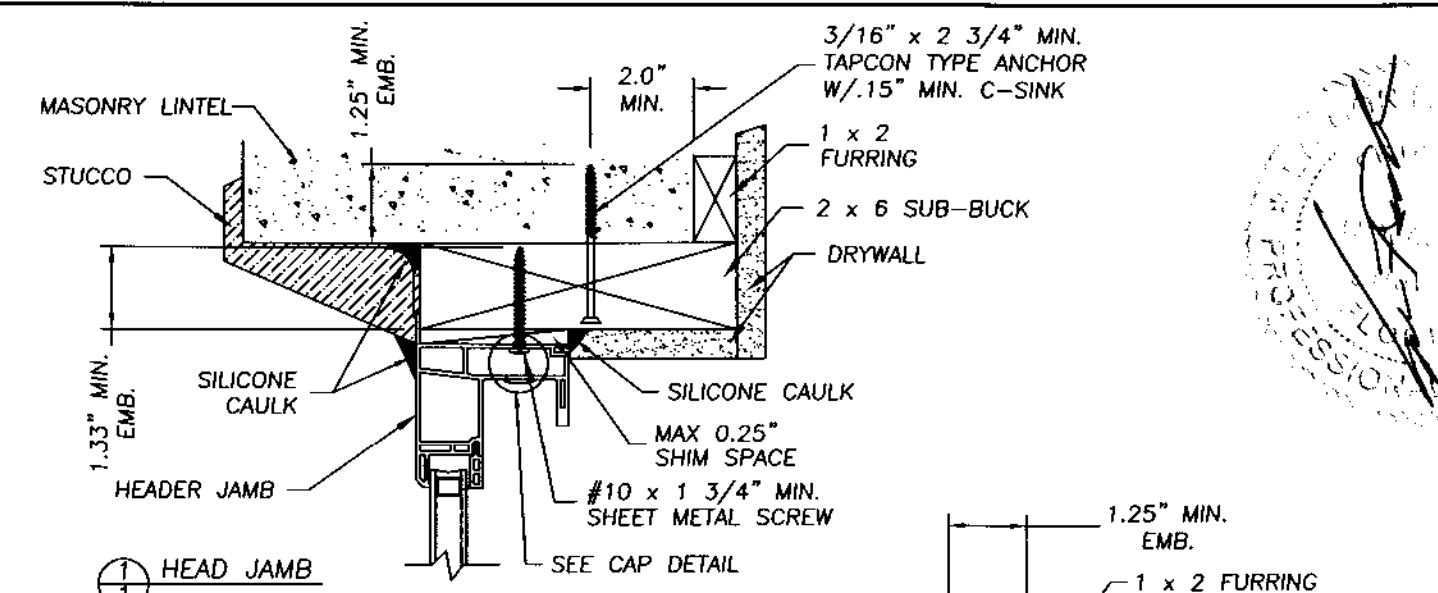
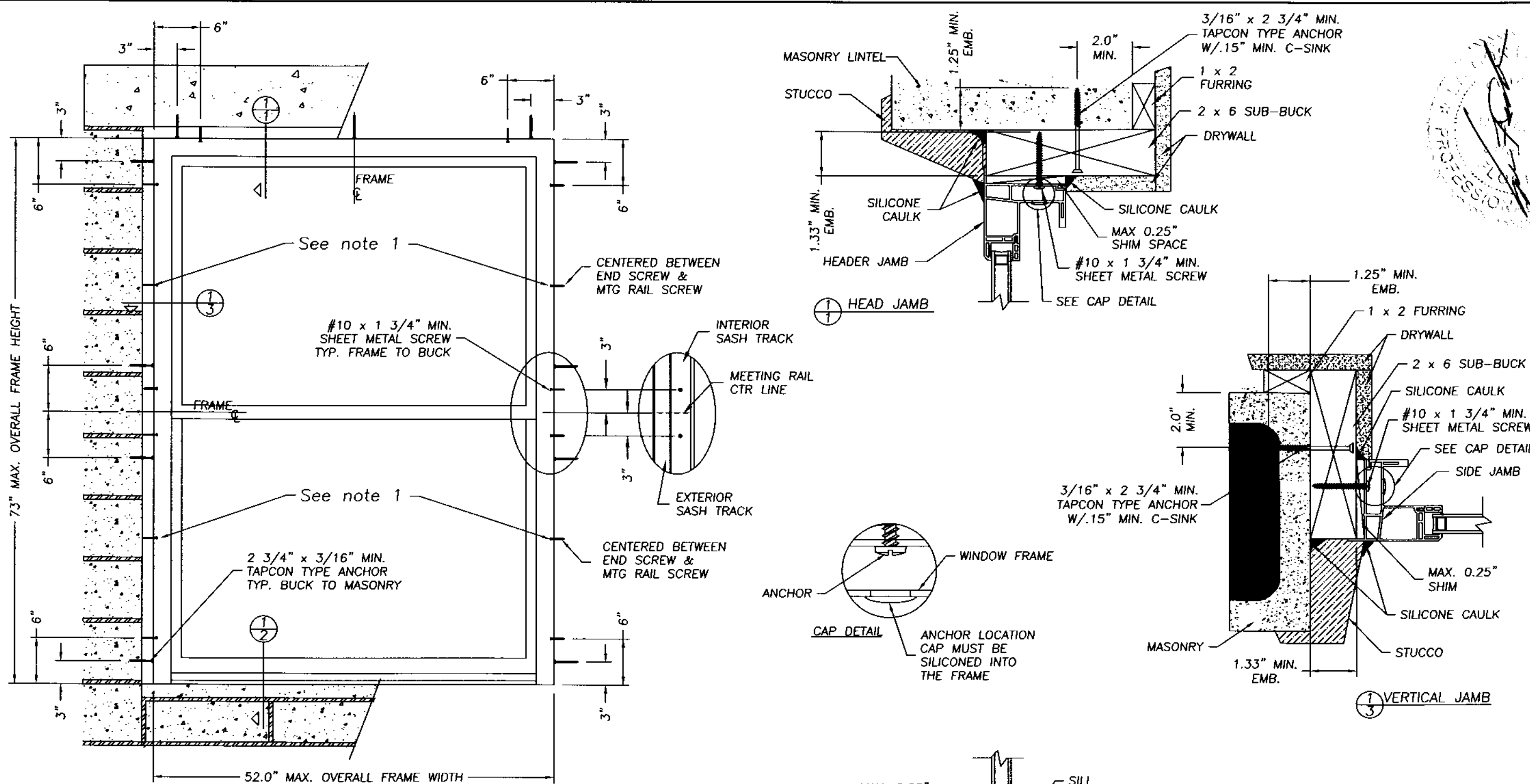
PRODUCT:  
 AMERICAN CRAFTSMAN  
 EXTRUDED VINYL  
 SINGLE HUNG WINDOW  
 PART OR ASSEMBLY:  
 GENERAL NOTES &  
 TYPICAL ELEVATIONS

NO.	DATE	BY	REVISIONS

RW BUILDING  
 CONSULTANTS, INC.  
 813.659.9197

DATE: 09/23/02  
 SCALE: N.T.S.  
 DWG. BY: TJH  
 CHK. BY: RW  
 DRAWING NO.:  
 AC-403-OC  
 SHEET 1 OF 3





September 24, 2002  
 Lyndon F. Schmidt  
 Florida P. E. No. 43409  
 19506 French Lace Drive  
 Lutz, FL 33558

American Craftsmen Windows  
 P O Box 6029  
 North Brunswick, NJ 08902  
 PH. 800 299-9501

ANCHORING CROSS SECTIONS  
 FOR 2X BUCK TO MASONRY  
 SINGLE HUNG W/OUT NAILING FIN  
 EXTRUDED VINYL WINDOW

**RW** BUILDING  
 CONSULTANTS, INC.  
 813.659.9197

DATE: 09/23/02  
 SCALE: N.T.S.  
 DWG. BY: TJH  
 CHK. BY: R.W.  
 DRAWING NO.:  
 AC-403-OC  
 SHEET 3 OF 3

APPLY A GENEROUS BEAD OF COMMERCIAL GRADE CONSTRUCTION ADHESIVE TO BOTH THE BACK OF THE FLANGE AND THE MAIN BODY OF THE WINDOW FRAME AROUND THE FULL PERIMETER AS SHOWN.

- NOTE:**
1. When installing a window that is 60" or less in overall height, eliminate the installation of this screw.
  2. Adjust Tapcon anchor locations, if necessary, to maintain a minimum 2.0" clearance from mortar joints.