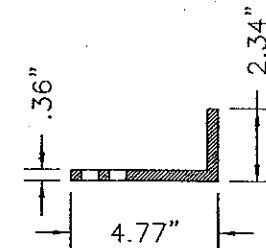
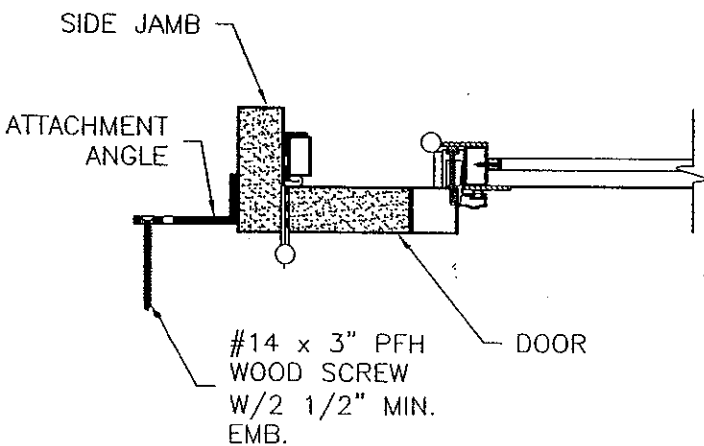
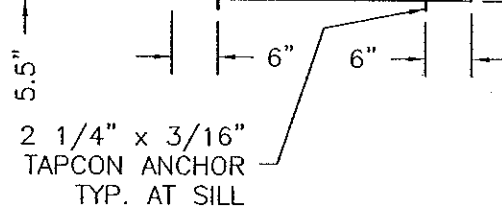
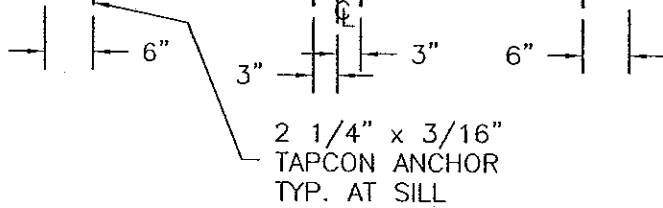
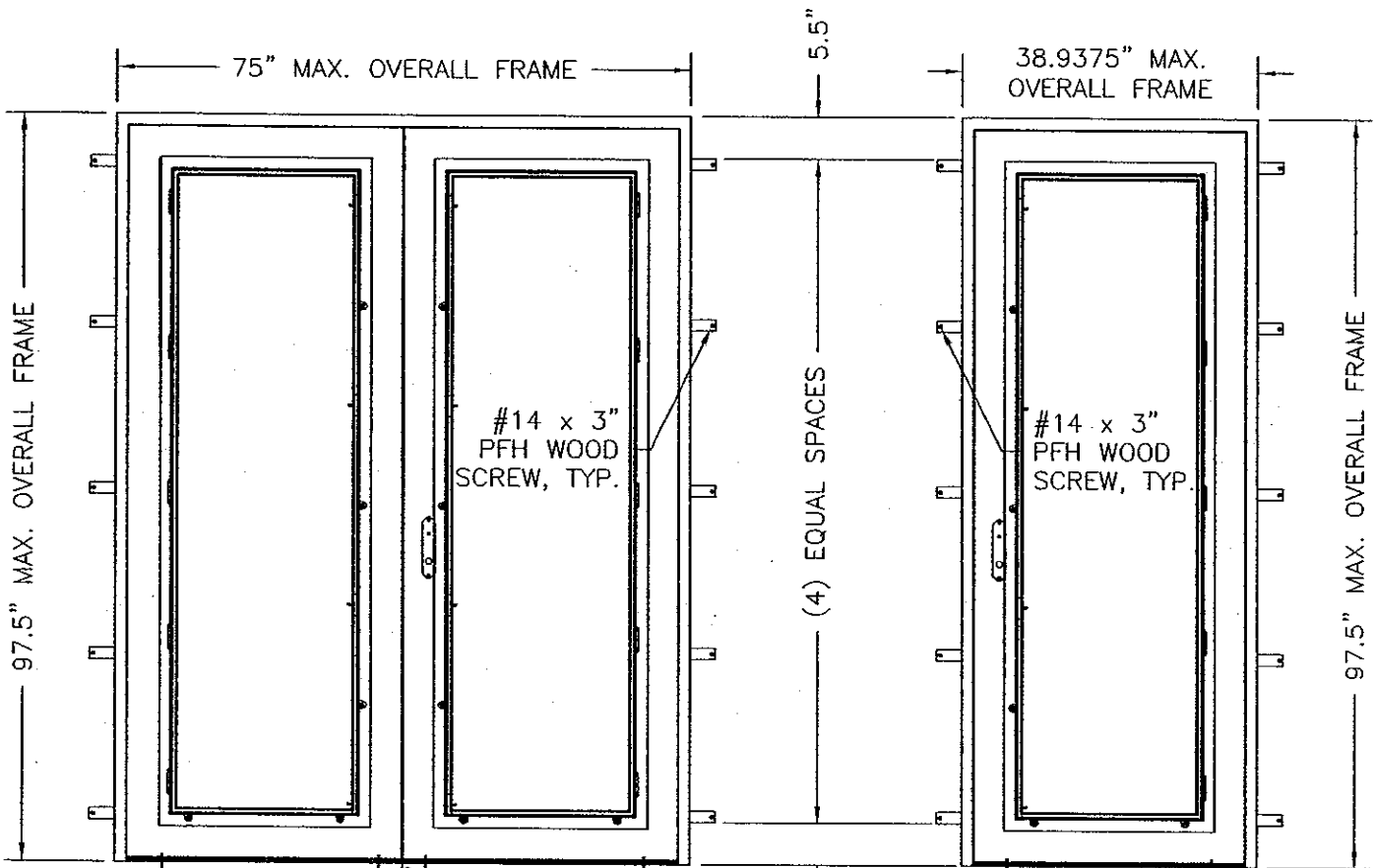
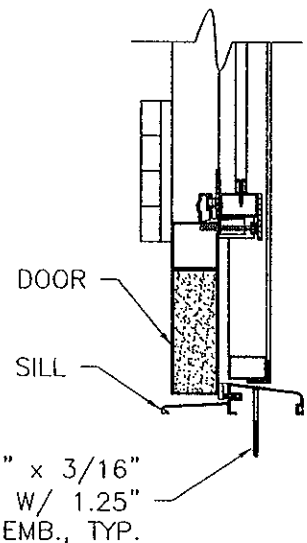


CANTERA DOORS

SERIES 6080 STRAIGHT GLAZED STEEL ENTRY DOOR MAXIMUM SIZE UP TO 6'0 x 8'0



ATTACHMENT ANGLE WELDED TO FRAME



ENGINEER'S NOTICE OF EVALUATION # CAN-101F

Cantera Doors
3698 Highway 620, Suite 101
Austin, TX 78738
Phone 512.263.8881 Facsimile 512.263.8849

DESCRIPTION OF UNIT

Model Designation: Cantera Doors Series 6080 Straight Glazed Steel Entry Door

Maximum Overall Nominal Size: up to 6'0 x 8'0 **Usable Out-Swing/In-swing Configurations:** X, XX

General Description: The jamb is constructed of tubular steel and measures 4" x 1 1/2". The corners are mitered and welded. The door panel is constructed of tubular steel and measures 2' 11 15/16" x 7'10 3/4" with a thickness of 1 1/2". The stiles and rails are a minimum of 5 3/4" wide and are mitered and welded at the corners. There are four (4) 5-knuckle butt hinges at panel hinge stile fully welded to frame hinge jambs and panel hinge stile. The unit is glazed with 1/2" insulated glass consisting of 2 pieces of 1/8" tempered glass with 1/4" air space. The interior is glazed with silicone and exterior is glazed with steel bead attached with #8 x 3/4" screws.

FBC Section 1707 Materials and Assembly Tests:

(1707.4.3 Exterior Door Assemblies; 1707.4.5 Mullions Door Assemblies)

Test	Description	Test Location	Date	Report No.	Certifying Engineer
ASTM E330	Uniform Static Air Pressure	Construction Consulting Lab Carrollton, TX	March 28, 2003	CCLI-03-052	Abdol Rezadad, PE #52849
TAS 202	Forced Entry	Construction Consulting Lab Carrollton, TX	March 28, 2003	CCLI-03-052	Abdol Rezadad, PE #52849
ASTM E283	Air Infiltration	Construction Consulting Lab Carrollton, TX	March 28, 2003	CCLI-03-052	Abdol Rezadad, PE #52849

*All products must be shuttered to meet windborne debris criteria.

Design Pressure Ratings:

Configuration	Maximum Size	Design Pressure Ratings
Glazed Single X	Up to 3'0 x 8'0	+67.0 psf -67.0 psf
Glazed Double XX	Up to 6'0 x 8'0	+67.0 psf -67.0 psf

Installation and Anchoring: See reverse side this page

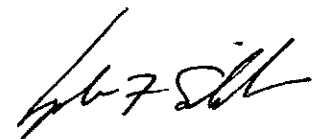
Use

1. Evaluated for use in locations adhering to the Florida Building Code and where pressure requirements as determined by ASCE 7 Minimum Design Loads for Buildings and Other Structures do not exceed the design pressure ratings listed above.

2. For Masonry installations where the sub-buck is less than 1-1/2 inches (FBC section 1707.4.4 Anchorage Methods and sub-sections 1707.4.4.1 and 1707.4.4.2) same diameter Tapcon type concrete anchors must be substituted and the length must be such that a minimum 1-1/4" engagement of the Tapcon into the masonry wall is obtained.

Certification: Lyndon F. Schmidt
19506 French Lace Drive
Lutz, FL 33558

Florida Professional Engineer
License No. 43409



June 5, 2003