

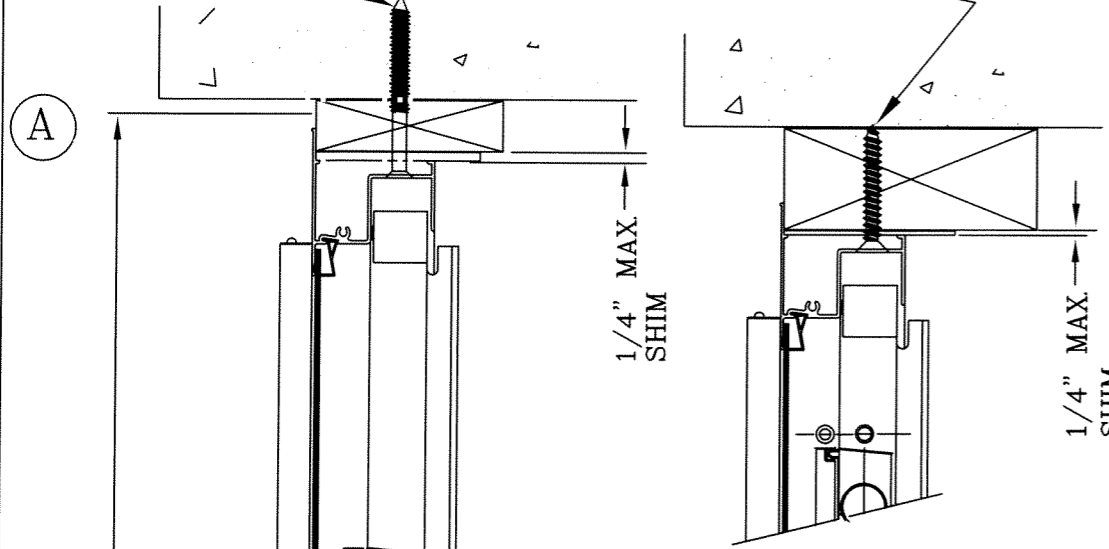
3/16" TAPCON WITH A
MIN. 1-1/4" MIN. EMBEDMENT
SEE ELEVATION FOR
ANCHOR SPACING.

10 F.H. S.M.S. WITH A
MIN. 1-1/2" MIN. EMBEDMENT
SEE ELEVATION FOR
ANCHOR SPACING.

NOTES:

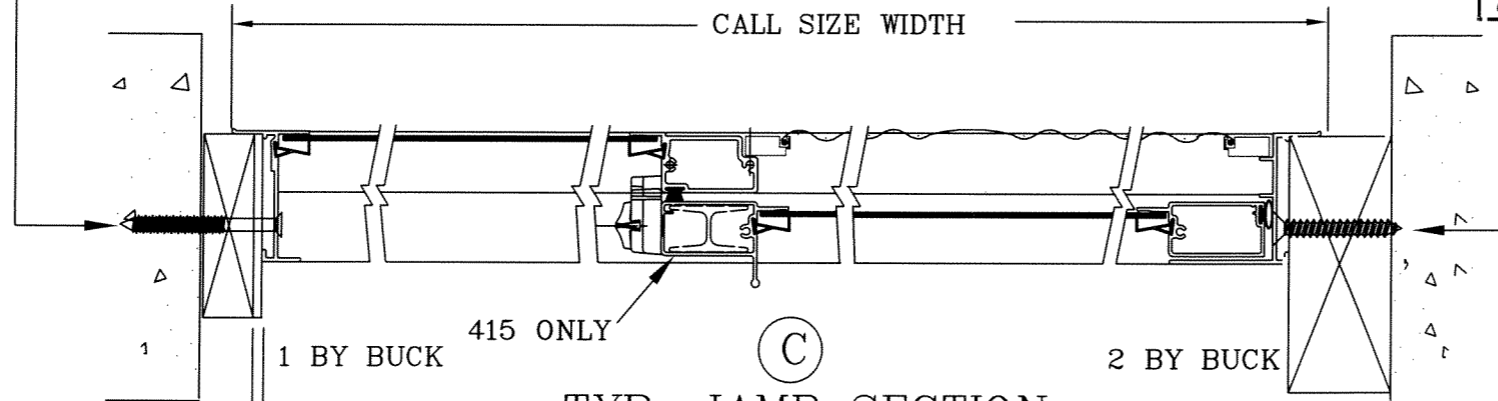
- 1) SHIM AS REQUIRED, MAX SHIM STACK 1/4"
- 2) ALL ALUMINUM EXTRUSIONS ARE ALLOY 6063-T5 OR T6 WITH TYPICAL WALL THICKNESS OF 0.62"
- 3) USE HIGH QUALITY CAULK BEHIND WINDOW FLANGE.
- 4) GLASS THICKNESS BASED ON TABLE E1300 GLASS CHARTS, AND MAY VARY DEPENDING ON SIZE.
- 5) THE RESPONSIBILITY FOR SELECTION OF NORANDEX PRODUCTS TO MEET ANY APPLICABLE LOCAL LAWS, BUILDING CODES, ORDINANCES OR OTHER SAFETY REQUIREMENTS REST SOLELY WITH THE ARCHITECT, BUILDING OWNER OR CONTRACTOR.
- 6) A PRESSURE TREATED WOODEN BUCK OR MARBLE SILL SHALL BE ADDED UNDER THE PRODUCT TO FULLY SUPPORT UNIT. THIS SUPPORT SHALL BE FIRMLY ATTACHED INTO MASONRY AND SUPPORT THE PRODUCT OVER ITS FULL LENGTH (SUPPLIED BY OTHERS).
- 7) CONCRETE COMPRESSIVE STRENGTH = 3,000 PSI AT 28 DAYS.

| WINDOW DIMENSIONS | | FASTENER SCHEDULE | | | |
|-------------------|-----------------|-------------------|----------|------------------|----------|
| WIDTH (INCHES) | HEIGHT (INCHES) | NO. ANCHORS HEAD | | NO. ANCHORS JAMB | |
| | | 35 (PSF) | 45 (PSF) | 35 (PSF) | 45 (PSF) |
| 26-1/2" | 26" | 2 | 2 | 2 | 2 |
| 37" | | 2 | 2 | 2 | 2 |
| 53-1/8" | | 3 | 3 | 2 | 2 |
| 74" | | 3 | 4 | 2 | 2 |
| 26-1/2" | 38-1/4" | 2 | 2 | 3 | 3 |
| 37" | | 2 | 2 | 3 | 3 |
| 53-1/8" | | 3 | 3 | 3 | 3 |
| 74" | | 3 | 4 | 3 | 3 |
| 26-1/2" | 50-5/8" | 2 | 2 | 3 | 3 |
| 37" | | 2 | 2 | 3 | 3 |
| 53-1/8" | | 3 | 3 | 3 | 3 |
| 74" | | 3 | 4 | 3 | 3 |
| 26-1/2" | 63" | 2 | 2 | 3 | 4 |
| 37" | | 2 | 2 | 3 | 4 |
| 53-1/8" | | 3 | 3 | 3 | 4 |
| 74" | | 3 | 4 | 3 | 4 |
| 26-1/2" | 72" | 2 | 2 | 3 | 4 |
| 37" | | 2 | 2 | 3 | 4 |
| 53-1/8" | | 3 | 3 | 3 | 4 |
| 74" | | 3 | 4 | 3 | 4 |



ALT. HEADER SECTION
TYP. 2 BY BUCK

3/16" TAPCON
W/1-1/4" MIN. EMBEDMENT
SEE ELEVATION FOR
FOR ANCHOR SPACING.



TYP. JAMB SECTION
1 BY / 2 BY BUCK

10 F.H. S.M.S
W/1-1/2" MIN. EMBEDMENT
SEE ELEVATION FOR
FOR ANCHOR SPACING.

CALL SIZE HEIGHT

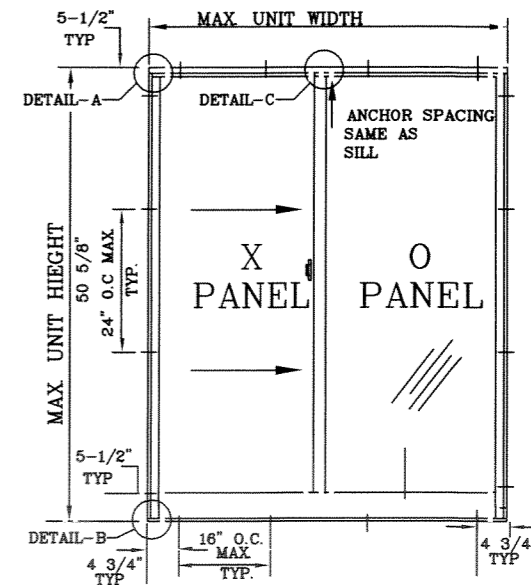
CALL SIZE WIDTH

B

HEADER AND SILL SECTION
TYP. 1 BY BUCK

SEE NOTE 6

C.A. Pagen
CHARLES A. PAGEN, P.E.
FL. REG. ENG. # 49121
DATE: 3/22/01



437/415 GLIDER
INSTALLATION DETAIL
OX / XO AND
FASTENER SCHEDULE

SERIES: 437/415
ALUMINUM GLIDER
NORANDEX
4505 30th STREET WEST
BRADENTON, FL. 34207
PHONE: (941) 755-1591

| NO. | DATE | REVISIONS DESCRIPTION |
|-----|------|-----------------------|
| | | |
| | | |
| | | |

DATE: 12/25/01
SCALE: N.T.S.
DWG. BY: J.R.M.
CHK. BY: RAE
DWG. NO.: FBC-017