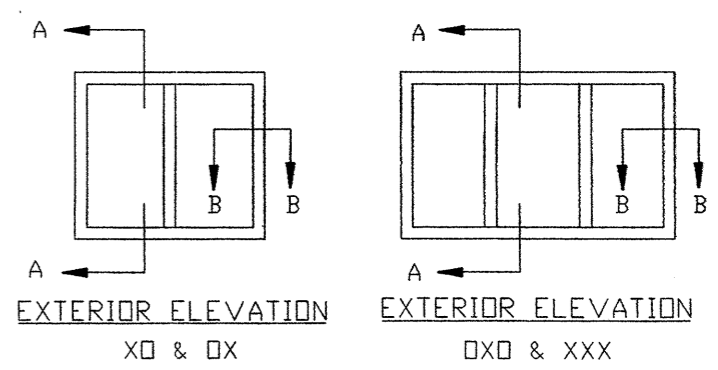
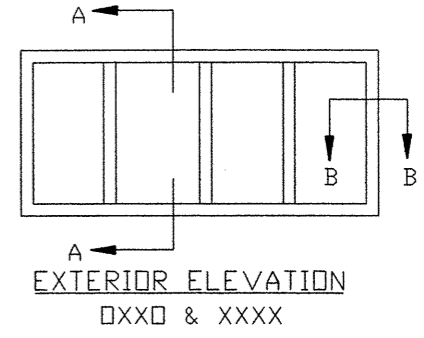
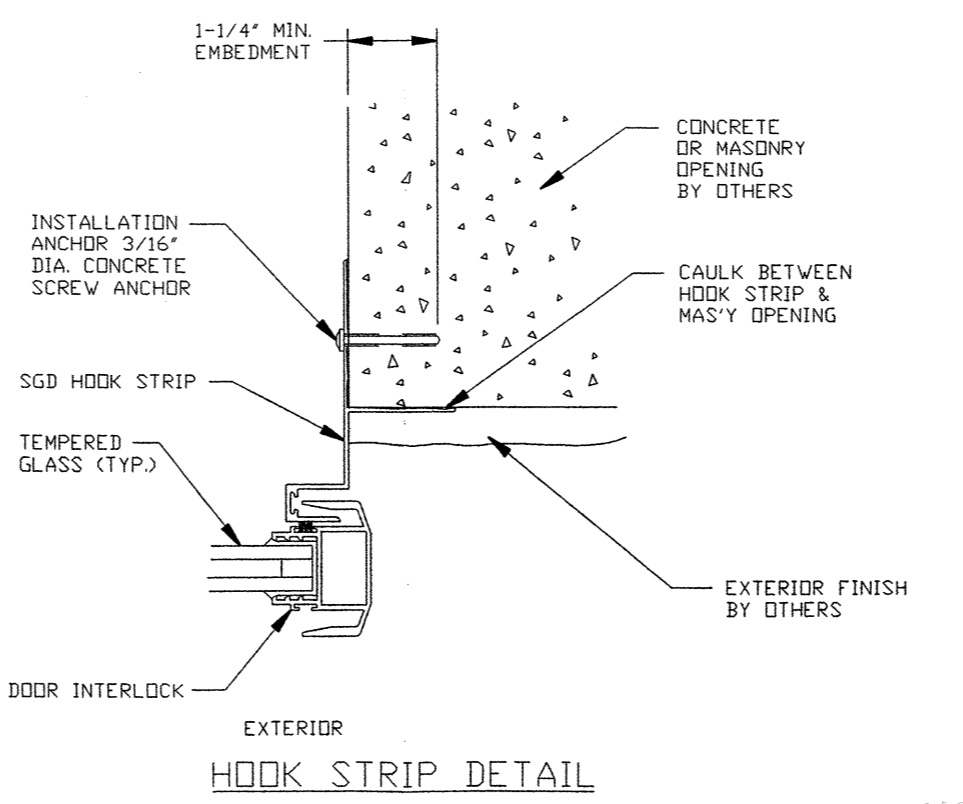
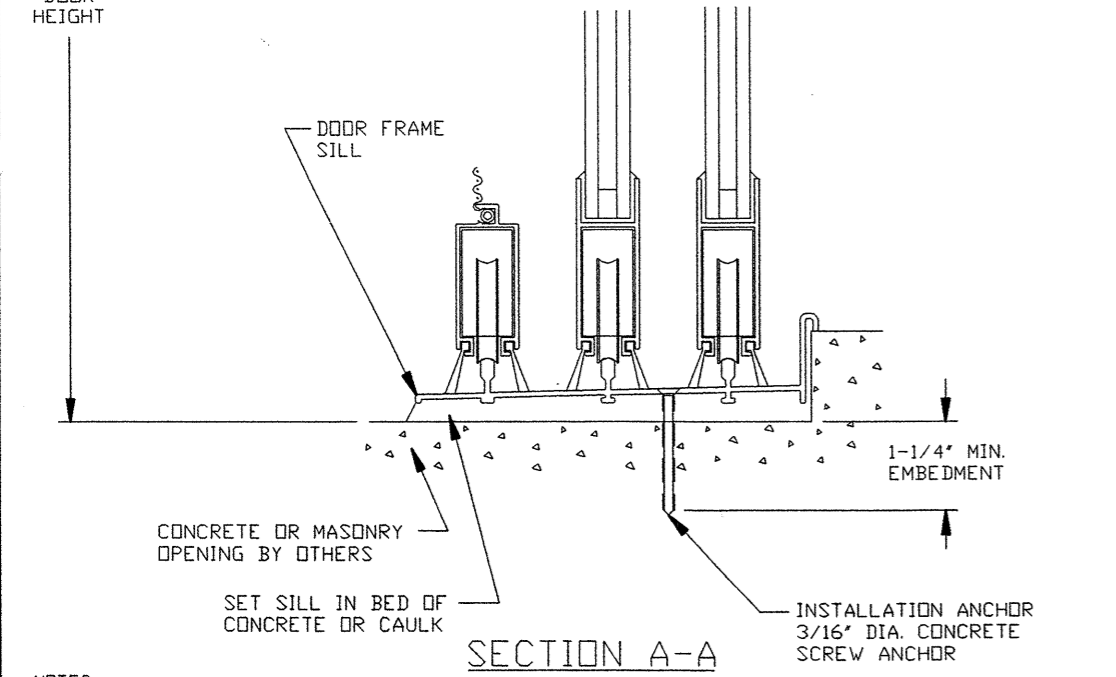


CALL SIZE	OVERALL SIZE	QUANTITY OF 3/16" DIA. CONCRETE SCREW ANCHORS REQ'D. FOR INSTALLATION	
		@ HEAD & SILL	@ EACH JAMB & HOOK STRIP
5068 XX, OX, XO	60-1/8 X 80	3	4
6068 XX, OX, XO	72-1/8 X 80	4	4
8068 XX, OX, XO	96-1/8 X 80	5	4
9068 XXX	106-7/16 X 80	5	4
12068 XXX	142-7/16 X 80	7	4
9068 OXO	109-3/16 X 80	5	4
12068 OXO	145-3/16 X 80	7	4
10068 XXXX	116-3/4 X 80	6	4
12068 XXXX	140-3/4 X 80	7	4
16068 XXXX	188-3/4 X 80	9	4
10068 OXXO	119-1/2 X 80	6	4
12068 OXXO	143-1/2 X 80	7	4
16068 OXXO	191-1/2 X 80	9	4
5080 XX, OX, XO	60-1/8 X 96	3	5
6080 XX, OX, XO	72-1/8 X 96	4	5
8080 XX, OX, XO	96-1/8 X 96	5	5
9080 XXX	106-7/16 X 96	5	5
12080 XXX	142-7/16 X 96	7	5
9080 OXO	109-3/16 X 96	5	5
12080 OXO	145-3/16 X 96	7	5
10080 XXXX	116-3/4 X 96	6	5
12080 XXXX	140-3/4 X 96	7	5
16080 XXXX	188-3/4 X 96	9	5
10080 OXXO	119-1/2 X 96	6	5
12080 OXXO	143-1/2 X 96	7	5
16080 OXXO	191-1/2 X 96	9	5



- NOTES:
- 1) SHIM AS REQ'D. AT EACH SET OF INSTALLATION ANCHORS USING LOAD BEARING SHIMS. MAX. ALLOWABLE SHIM STACK TO BE 1/4". USE SHIMS WHERE SPACE GREATER THAN 1/16" IS PRESENT.
 - 2) DOOR MATERIAL: ALUMINUM ALLOY 6063.
 - 3) 3/16" DIA. CONCRETE SCREW ANCHORS MUST BE OF SUFFICIENT LENGTH TO ACHIEVE MIN. EMBEDMENT OF 1-1/4" INTO MASONRY OR CONCRETE.
 - 4) MAX. ALLOWABLE SPACING BETWEEN 3/16" DIA. CONCRETE SCREW ANCHORS TO BE 6" WITHIN 6" FROM CORNERS & 24" O.C. MAX.
 - 5) ALL FACTORY APPLIED HOLES IN HEAD & JAMBS NOT DESIGNATED FOR CONCRETE SCREW ANCHORS SHOULD BE FILLED WITH #8 SCREWS OF SUFFICIENT LENGTH TO ACHIEVE 5/8" MIN. EMBEDMENT INTO WOOD BUCK.
 - 6) USE LATEX CAULK OR EQUIVALENT FOR PERIMETER SEAL AROUND EXTERIOR OF DOOR.
 - 7) IF EXACT DOOR SIZE IS NOT LISTED IN ANCHOR CHART, USE ANCHOR QUANTITY LISTED WITH NEXT LARGER SIZE.
 - 8) FOR POCKET DOOR SIZES USE CLOSEST BY PASS DOOR SIZE & CONFIGURATION TO FINISH OPENING.
 - 9) GLASS THICKNESS MAY VARY PER REQUIREMENTS OF ASTM E1300 GLASS CHARTS. INSULATING GLASS IS SHOWN, SINGLE GLAZING ALSO QUALIFIED.
 - 10) JAMB, SILL CORNERS AND ALL ANCHORS THROUGH SILL ARE TO BE SEALED WITH A SMALL JOINT SEAM SEALER.
 - 11) ALL INSTALLATION ANCHORS MUST BE MADE OF CORROSION RESISTANT MATERIALS.
 - 12) NOT ALL CONFIGURATIONS LISTED ON INSTALLATION ANCHOR CHART ARE SHOWN ON THIS DRAWING, HOWEVER, INSTALLATION SECTION A-A, SECTION B-B, & HOOK STRIP DETAIL APPLY TO INSTALLATION OF ALL CONFIGURATIONS.

DESIGN PRESSURE
CAPACITY ±30.0 PSF



CUSTOM WINDOW SYSTEMS, INC.
OCALA, FLORIDA

TITLE: SERIES 9000 ALUMINUM SLIDING GLASS DOOR
INSTALLATION DETAILS ONE BY BUCK

ENGINEER: MANUEL MARTINEZ	DRN: BB	DATE: 2/05/02
DISCIPLINE: CIVIL	SCALE: N.T.S.	DWG. NO: CWS0106
FL. REG. NO: 47182	REV. LETTER:	SHEET: 1 OF 1