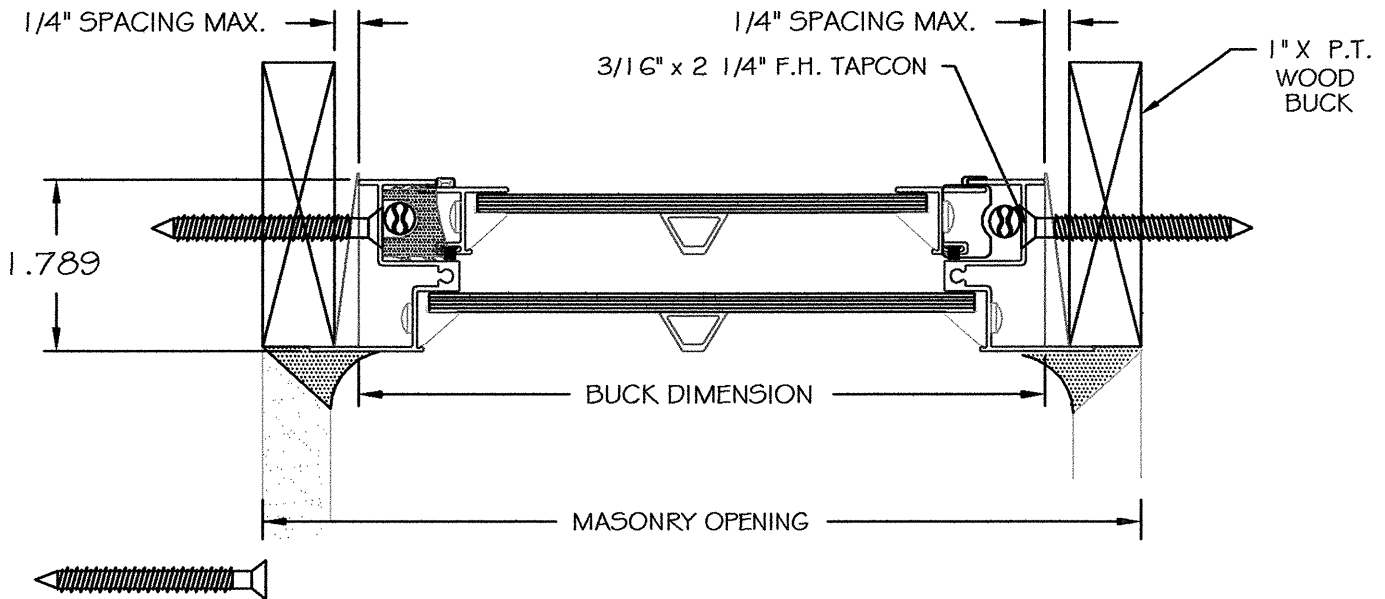
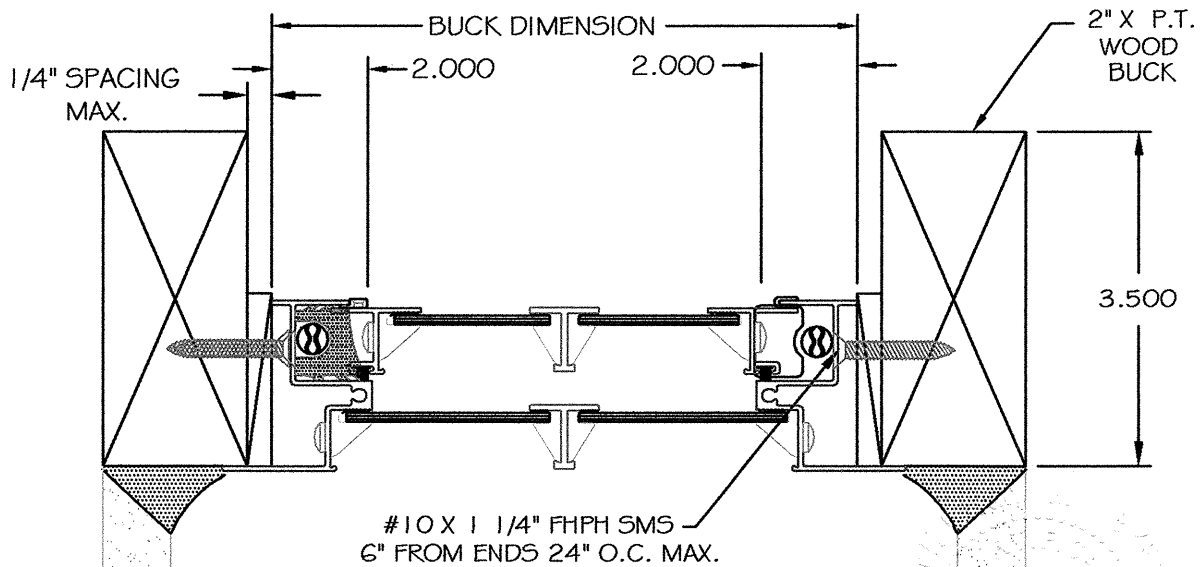


## SERIES PA-55 | SINGLE HUNG WINDOW

### JAMB INSTALLATION (INTO WOOD W/FALSE MUNTINS)



### JAMB INSTALLATION (FINNED WITH TRUE MUNTINS)



ROBI E. FISHER  
WM. M. MEYERS, P.E.  
Consulting Engineers  
9301 N.E. 6th Ave. C-300  
Miami Shores, FL 33138  
(305) 759-0117 567-4006 Fax 352-6282

*W. M. Meyers*  
FLA. 18755  
STRUCTURAL

Date: *05/19/02*