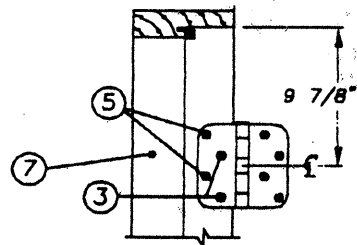
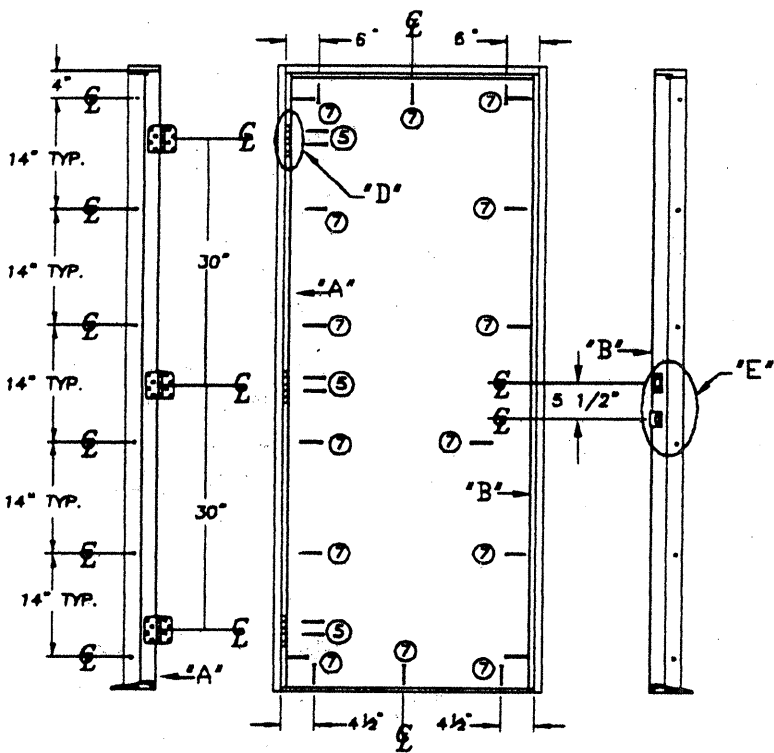
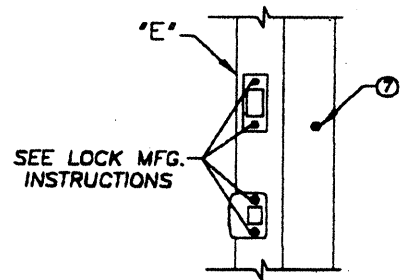


FINAL ANCHORING OF A WOOD FRAME UP TO 5'4" X 6'8"
SINGLE INSWING UNIT W/O SIDELITES
PRODUCT ACCEPTANCE No.: DSI222



"D" HINGE DETAIL

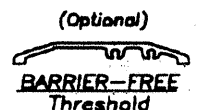
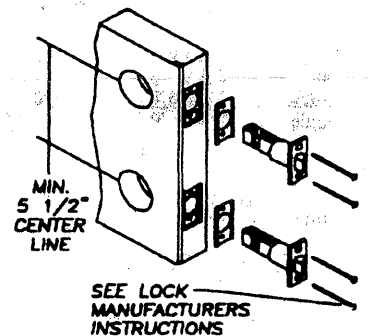
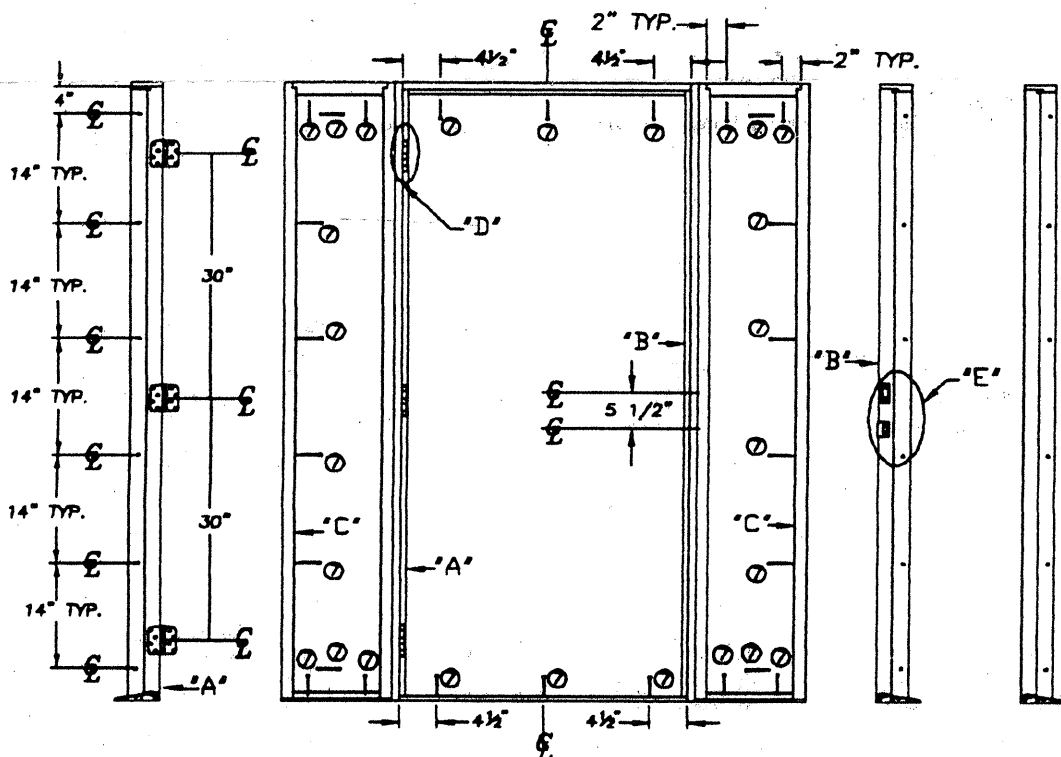
NOTE:
 WHEN SIDELITE IS ATTACHED TO HINGE JAMB A #5 SCREW MUST BE USED INSTEAD OF A #3 SCREW AND A #7 SCREW PER SCREW SCHEDULE.



"E" LATCH DETAIL

NOTE:
 WHEN SIDELITE IS ATTACHED TO LATCH JAMB USE #8 X 1 3/4" PHILLIPS FLAT HEAD SCREWS IN STRIKE PLATES, AND #4 SCREW IN PLACE OF #7 FROM SCREW SCHEDULE.

| SCREW SCHEDULE | |
|----------------|---------------------------------|
| ⑤ | #10 X 5/8" PHILLIPS FLAT HEAD |
| ③ | #10 X 1 3/4" PHILLIPS FLAT HEAD |
| ⑥ | #10 X 2" PHILLIPS FLAT HEAD |
| ⑦ | #10 X 3" PHILLIPS FLAT HEAD |



| Size: up to 5'4" x 6'8" | Product Acceptance No: DSI-222 | | Configuration: X, OXO, XO, OX | | |
|-------------------------------------|-------------------------------------|---------|-------------------------------|---------|---------|
| | Inswing (wood jamb) | | 2'6" | 2'8" | 3'0" |
| Single Opaque W/Sidelites | +80 -80 | +80 -80 | +80 -80 | +80 -80 | +80 -80 |
| Single Glazed W/Sidelites | +75 -80 | +64 -77 | +60 -71 | +56 -57 | +50 -60 |
| (Door does not meet Missile Impact) | | | | +50 -60 | +50 -60 |
| Test # 210-1987, 210-2024 | Mfg. by: Nan Ya Plastics / Plastpro | | Livingston, NJ 07039 | | |