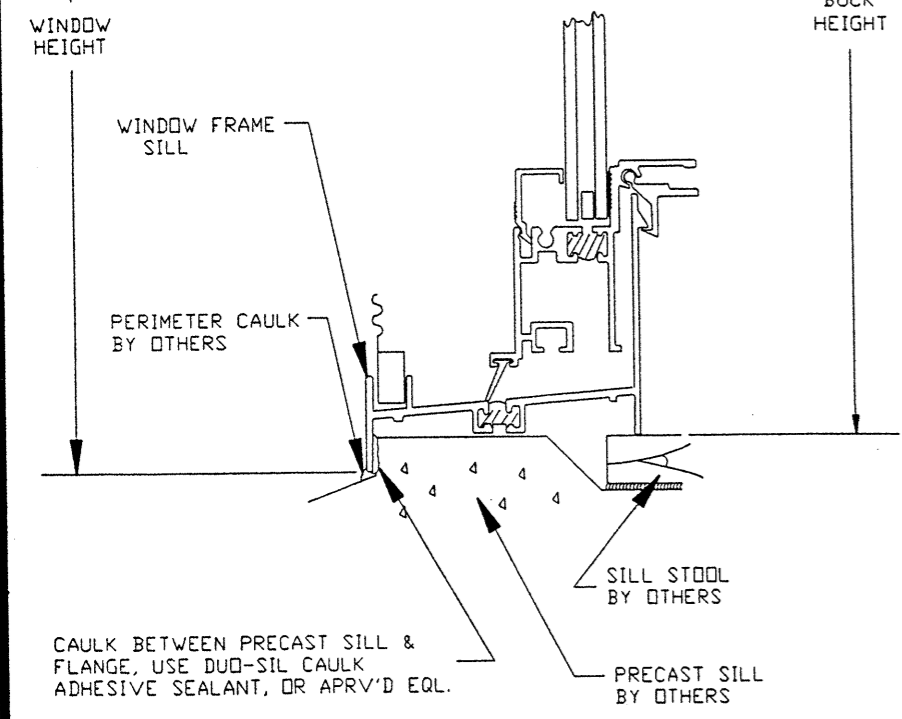
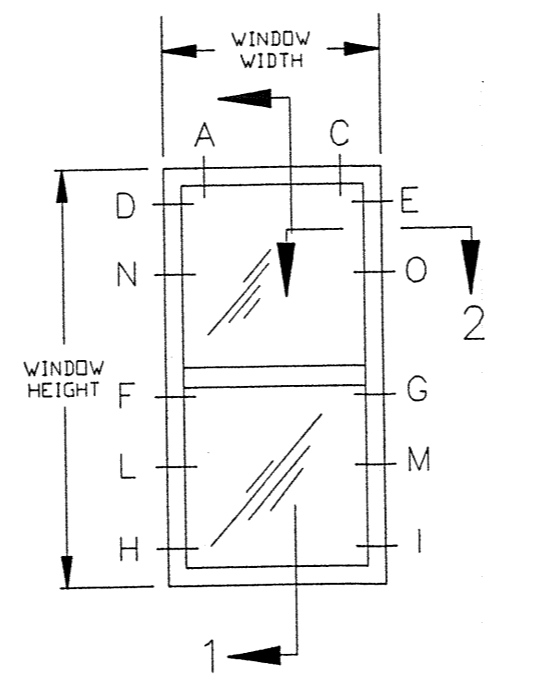


ANCHOR LOCATION CHART					
CALL SIZE	BUCK SIZE	LOCATIONS IN HEAD		LOCATIONS IN JAMB	
		UP TO 45psf	46psf TO 70PSF	UP TO 45psf	46psf TO 70psf
12	18 1/8 X 25	A,C	A,C	D,E,F,G,H,I	D,E,F,G,H,I
13	18 1/8 X 37 3/8	A,C	A,C	D,E,F,G,H,I	D,E,F,G,H,I
14	18 1/8 X 49 5/8	A,C	A,C	D,E,F,G,H,I	D,E,F,G,H,I
15	18 1/8 X 62	A,C	A,C	D,E,F,G,H,I	D,E,F,G,H,I
16	18 1/8 X 71	A,C	A,C	D,E,F,G,H,I	D,E,F,G,H,I
17	18 1/8 X 83	A,C	A,C	D,E,F,G,H,I	D,E,F,G,H,I
18	18 1/8 X 95	A,C	A,C	D,E,F,G,H,I	D,E,F,G,H,I
1H32	25 1/2 X 25	A,C	A,C	D,E,F,G,H,I	D,E,F,G,H,I
1H33	25 1/2 X 37 3/8	A,C	A,C	D,E,F,G,H,I	D,E,F,G,H,I
1H34	25 1/2 X 49 5/8	A,C	A,C	D,E,F,G,H,I	D,E,F,G,H,I
1H35	25 1/2 X 62	A,C	A,C	D,E,F,G,H,I	D,E,F,G,H,I
1H36	25 1/2 X 71	A,C	A,C	D,E,F,G,H,I	D,E,F,G,H,I
1H7	25 1/2 X 83	A,C	A,C	D,E,F,G,H,I	D,E,F,G,H,I
1H8	25 1/2 X 95	A,C	A,C	D,E,F,G,H,I	D,E,F,G,H,I
22	36 X 25	A,C	A,C	D,E,F,G,H,I	D,E,F,G,H,I
23	36 X 37 3/8	A,C	A,C	D,E,F,G,H,I	D,E,F,G,H,I
24	36 X 49 5/8	A,C	A,C	D,E,F,G,H,I	D,E,F,G,H,I
25	36 X 62	A,C	A,C	D,E,F,G,H,I	D,E,F,G,H,I
26	36 X 71	A,C	A,C	D,E,F,G,H,I	D,E,F,G,H,I,N,O
27	36 X 83	A,C	A,C	D,E,F,G,H,I	D,E,F,G,H,I,N,O
28	36 X 95	A,C	A,C	D,E,F,G,H,I	D,E,F,G,H,I,N,O
32	52 1/8 X 25	A,C	A,C	D,E,F,G,H,I	D,E,F,G,H,I
33	52 1/8 X 37 3/8	A,C	A,C	D,E,F,G,H,I	D,E,F,G,H,I
34	52 1/8 X 49 5/8	A,C	A,C	D,E,F,G,H,I	D,E,F,G,H,I
35	52 1/8 X 62	A,C	A,C	D,E,F,G,H,I	D,E,F,G,H,I
36	52 1/8 X 71	A,C	A,C	D,E,F,G,H,I	D,E,F,G,H,I,N,O
37	52 1/8 X 83	A,C	A,C	D,E,F,G,H,I	D,E,F,G,H,I,L,M,N,O
38	52 1/8 X 95	A,C	A,C	D,E,F,G,H,I,N,O	D,E,F,G,H,I,L,M,N,O



SECTION 1



EQUAL LITE ELEVATION VIEWED FROM EXTERIOR

- NOTES:
- SHIM AS REQ'D. AT EACH INSTALLATION ANCHOR W/ LOAD BEARING SHIM. MAX. ALLOWABLE SHIM STACK TO BE 1/4". USE SHIMS WHERE SPACE GREATER THAN 1/16" IS PRESENT.
 - WINDOW FRAME MATERIAL: ALUMINUM ALLOY 6063.
 - #8 INSTALLATION ANCHOR SCREW MUST BE OF SUFFICIENT LTH. TO ACHIEVE MIN. EMBEDMENT OF 1-1/8" INTO WOOD BUCK. (APPROX. LTH. 1-3/4")
 - CAULK BEHIND WINDOW FLANGE WITH DUO-SIL ADHESIVE CAULK OR APPROVED EQUAL. APPLICATION OF DUO-SIL ADHESIVE CAULK SEALANT MUST COMPLY WITH SEALANT MANUFACTURER'S RECOMMENDATIONS.
 - USE LATEX CAULK OR EQUIVALENT FOR PERIMETER SEAL AROUND EXTERIOR OF WINDOW FLANGE BY OTHERS.
 - IF EXACT WINDOW SIZE IS NOT LISTED IN ANCHOR CHART, USE ANCHOR QUANTITY LISTED WITH NEXT LARGER SIZE FOR THE APPROPRIATE DESIGN PRESSURE REQ'D.
 - GLASS THICKNESS MAY VARY PER THE REQUIREMENTS OF ASTM 1300 GLASS CHARTS. INSULATING GLASS IS SHOWN. SINGLE GLAZING ALSO QUALIFIED.
 - LETTER DESIGNATIONS ON THE ANCHOR CHART INDICATE WHERE ANCHORS ARE TO BE INSTALLED WHEN USING THE EXTERIOR ELEVATION AS A KEY.
 - KINCO, LTD'S. TB SERIES WINDOW IS SHOWN. INSTALLATION DETAILS ALSO APPLY TO KINCO'S TW SERIES WINDOW.
 - NOT ALL ANCHORS SHOWN ON ELEVATION ARE APPLIED BY FACTORY IN ALL SIZES. ALL FACTORY APPLIED HOLES NOT DESIGNATED FOR ANCHORS SHOULD BE FILLED WITH #8 SCREWS OF SUFFICIENT LENGTH TO PROVIDE MIN. 1-1/8" EMBEDMENT INTO WOOD BUCK. FACTORY PUNCHED HOLES IN JAMBS ARE TO BE NO MORE THAN 6" FROM CORNERS AND 24" O.C. MAX.
 - CONCRETE SCREW ANCHORS FOR ATTACHMENT OF WOOD BUCKS ARE TO BE 3/16" DIA. & OF SUFFICIENT LENGTH TO ACHIEVE 1-1/4" INTO CONCRETE OR MASONRY. SPACE CONCRETE SCREW ANCHORS 6" FROM END & 24" O.C. MAX.

KINCO, LTD.
JACKSONVILLE, FLORIDA

TITLE: INSTALLATION DETAIL W/ TWO BY WOOD BUCK FLANGE SINGLE HUNG WINDOW TB & TW SERIES		
ENGINEER: MANUEL MARTINEZ	DRN: BB	DATE: 11/26/01
DISCIPLINE: CIVIL	SCALE: N.T.S.	DWG. NO: KJAX-0071
FL. REG. NO: 47182	REV. LETTER:	SHEET: 1 OF 1