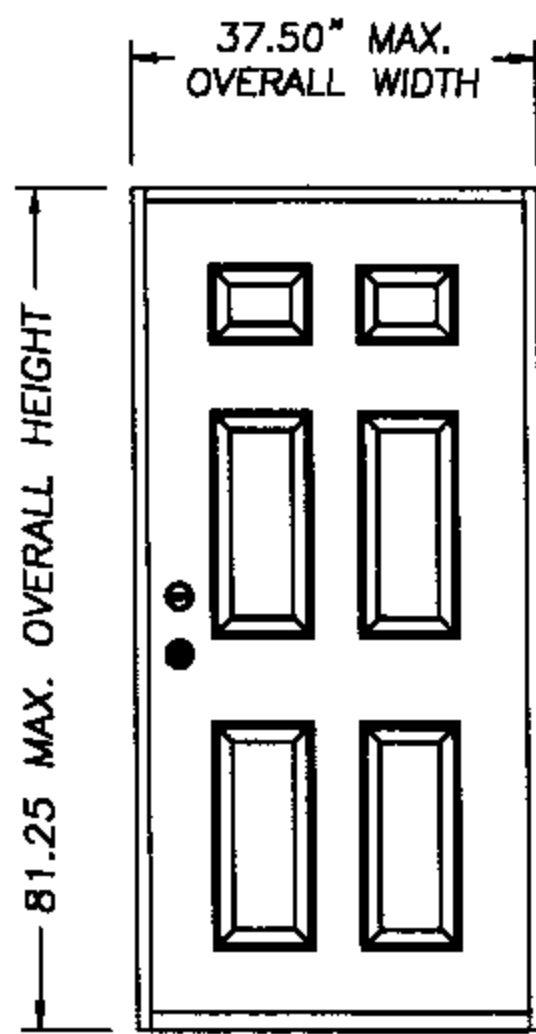


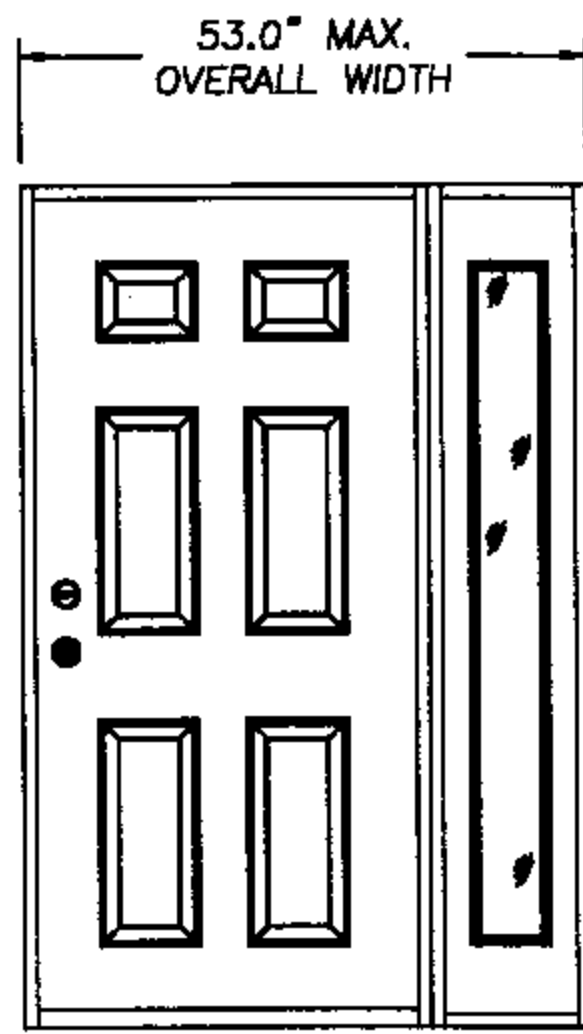
# DoorCraft® GLADIATOR

WOOD EDGE OPAQUE INSULATED STEEL DOOR  
OUT-SWING / IN-SWING 6-8 UNITS W/ & W/O SIDELITES



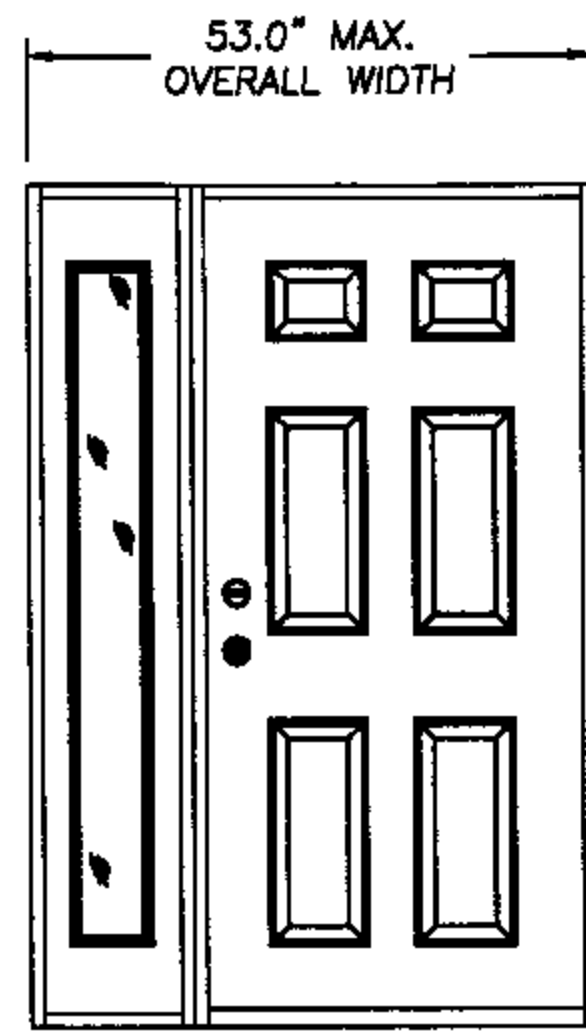
X

DESIGN PRESSURE RATING	
OUT-SWING	
POS. 53.0	NEG. 57.0
IN-SWING	
POS. 48.0	NEG. 48.0



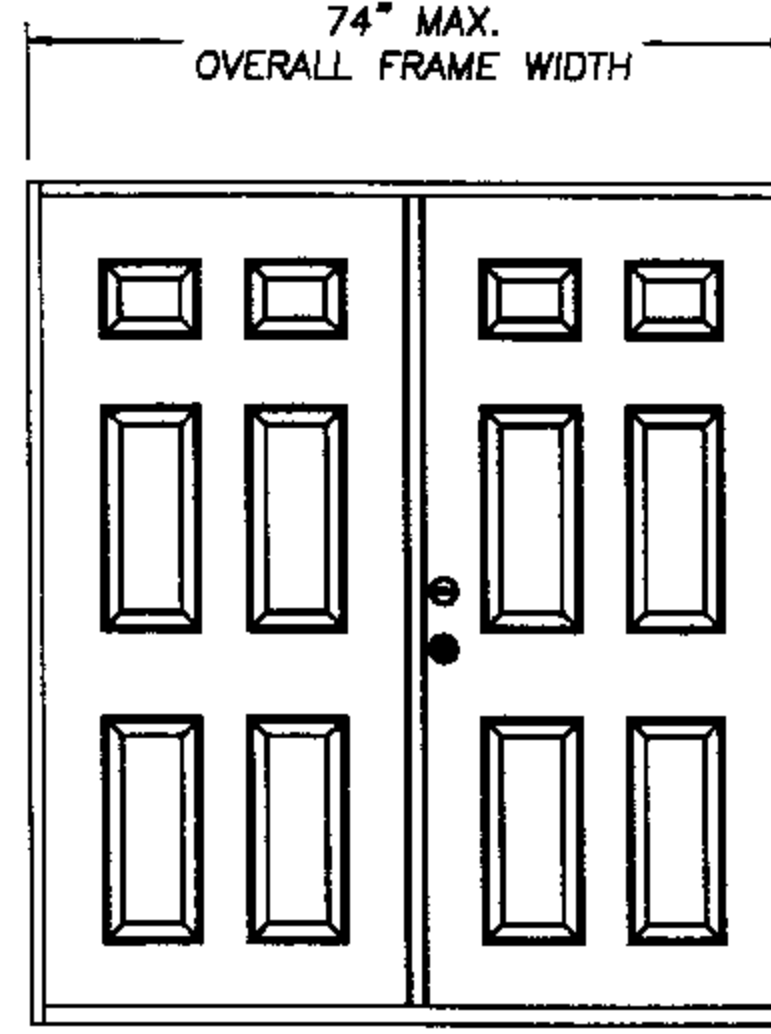
X O

DESIGN PRESSURE RATING	
OUT-SWING	
POS. 53.0	NEG. 57.0
IN-SWING	
POS. 48.0	NEG. 48.0



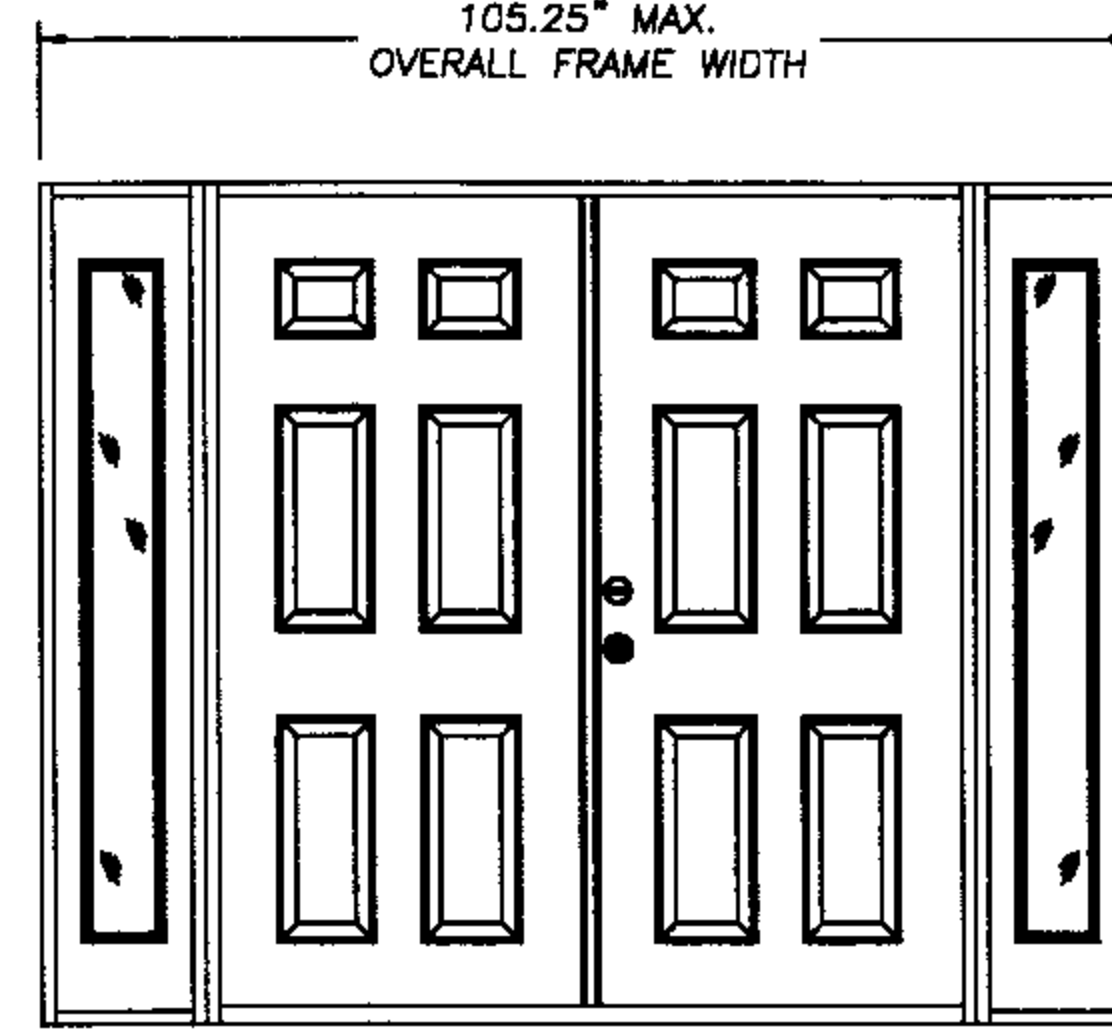
O X

DESIGN PRESSURE RATING	
OUT-SWING	
POS. 53.0	NEG. 57.0
IN-SWING	
POS. 48.0	NEG. 48.0



X X

DESIGN PRESSURE RATING	
OUT-SWING	
POS. 53.0	NEG. 57.0
IN-SWING	
POS. 48.0	NEG. 48.0



O X X O

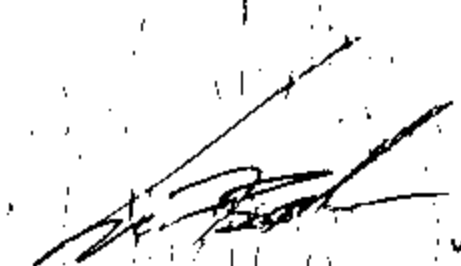
DESIGN PRESSURE RATING	
OUT-SWING	
POS. 53.0	NEG. 57.0
IN-SWING	
POS. 48.0	NEG. 48.0

## GENERAL NOTES

1. THIS PRODUCT IS DESIGNED TO COMPLY WITH THE FLORIDA BUILDING CODE.
2. PRODUCT ANCHORS SHALL BE AS LISTED AND SPACED AS SHOWN ON DETAILS.
3. THE SIDELITES REQUIRE WINDBORNE DEBRIS EXTERNAL PROTECTION AS DESCRIBED IN SECTION 1626.1 OF THE FLORIDA BUILDING CODE WHEN USED IN WINDBORNE DEBRIS AREAS.
4. FOR INSWING MASONRY ANCHORING SEE SHEET 2 OF 4.
5. FOR OUTSWING MASONRY ANCHORING SEE SHEET 3 OF 4.
6. FOR INSWING/OUTSWING WOOD STUD ANCHORING SEE SHEET 4 OF 4.

## PRODUCT DESCRIPTION

1. THE DOOR FACE SHEETS ARE 25 GA. (0.018") MIN. THICKNESS.
2. THE STILES AND RAILS ARE WOOD CONSTRUCTION.
3. THE INTERIOR DOOR CAVITY IS EXPANDED POLYSTYRENE.
4. THE SIDELITE GLAZING IS 0.5" INSULATED GLASS BY ODL.
5. THE WOOD JAMBS ARE A MIN. 4-9/16".
6. THE THRESHOLD IS AN ALUMINUM BUMP FACE TYPE (OUTSWING) OR AN ALUMINUM SADDLE TYPE (INSWING).
7. ALL LATCHBOLT AND DEADBOLT HARDWARE MUST BE CYLINDRICAL GRADE II WITH A 161 EDGE PREP AND A MINIMUM 1.0" DEADBOLT THROW.

  
 Lyndon F. Schmid  
 Florida P. E. No. 43409  
 19506 Frehahn Lane Drive Lutz, FL 33558

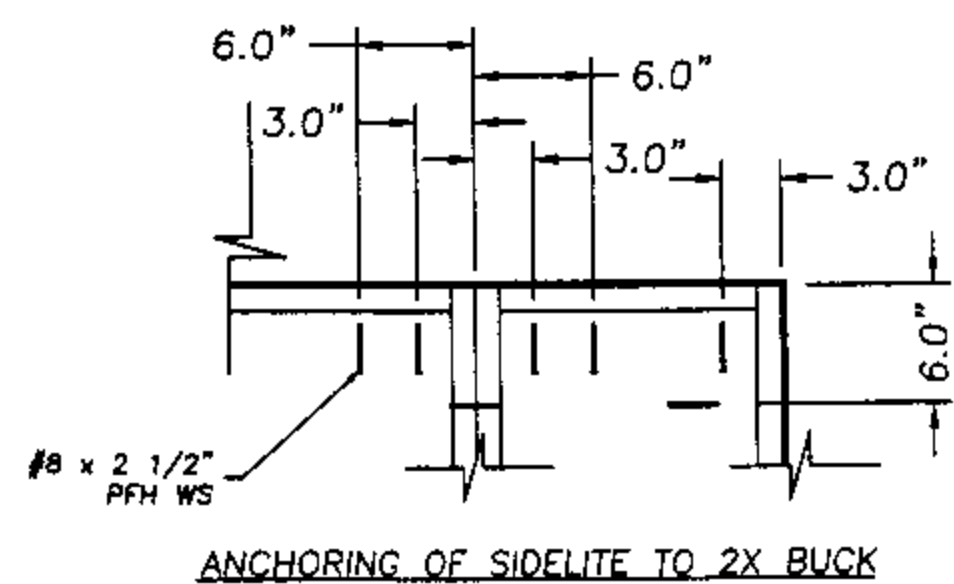
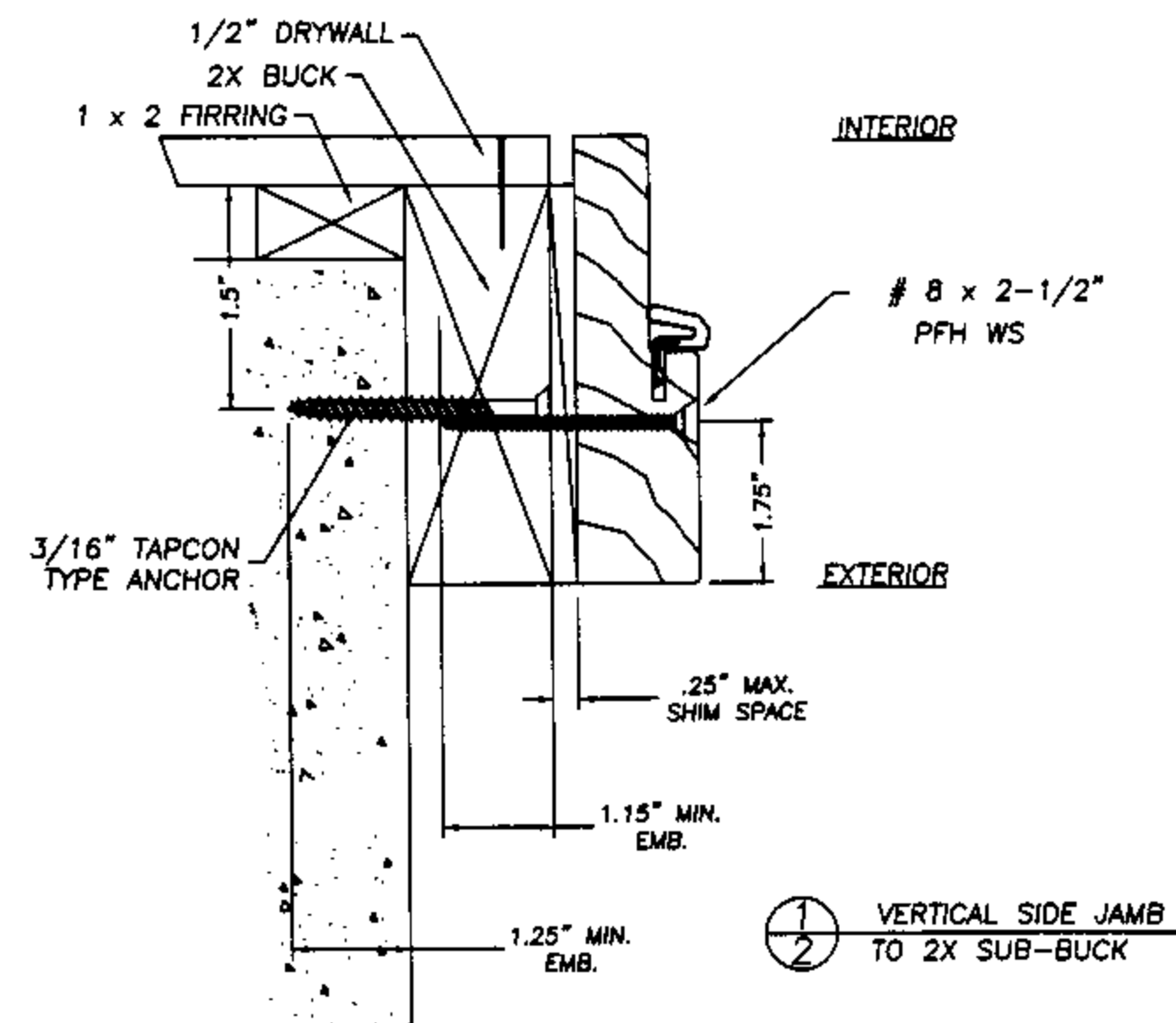
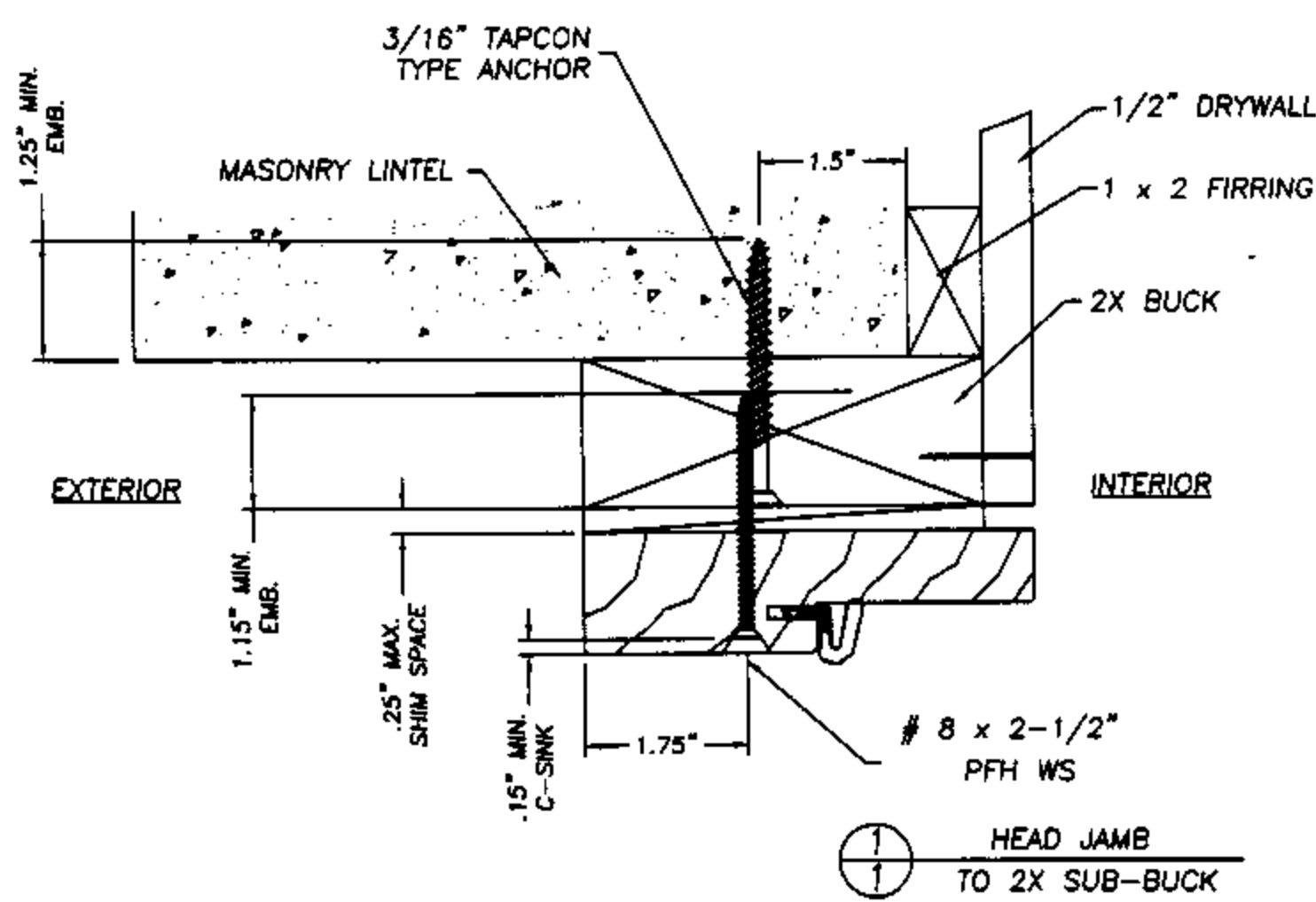
**JELD-WEN, INC.**  
 31725 HIGHWAY 97 NORTH  
 CHILOQUIN, OR. 97624  
 PH. 541.783.2057

PRODUCT: GLADIATOR  
 WOOD EDGE STEEL DOOR  
 OPAQUE W/WO SIDELITES  
 PART OR ASSEMBLY:  
 GENERAL NOTES &  
 TYPICAL ELEVATIONS

NO.	DATE	ADDED HARDWARE NOTE	TJH	BY
1	6/28/02			

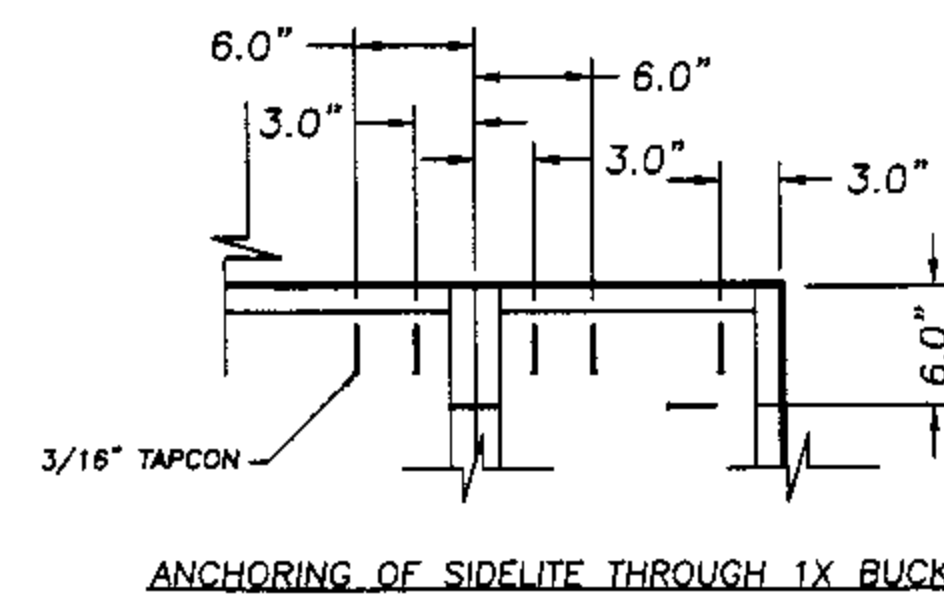
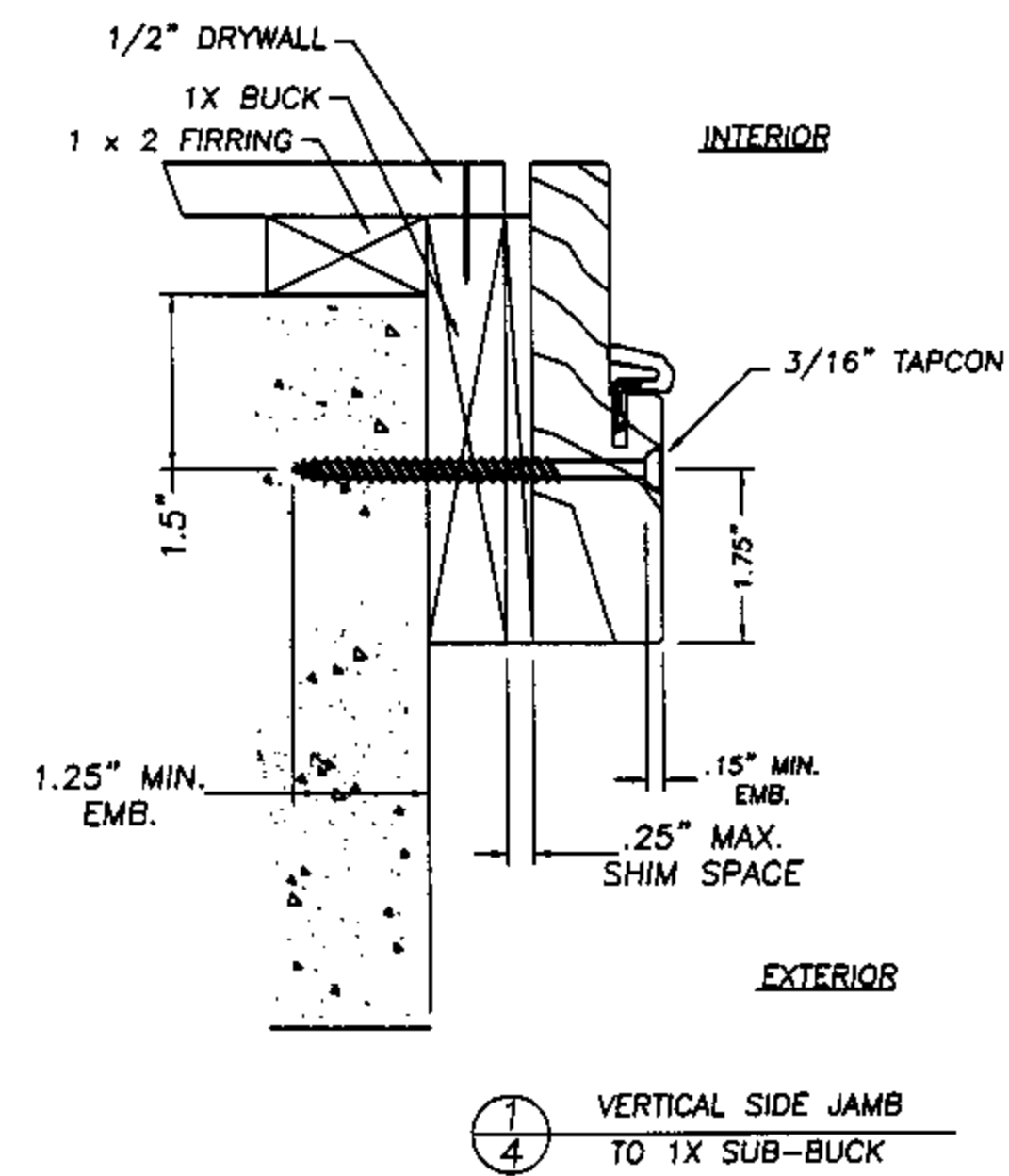
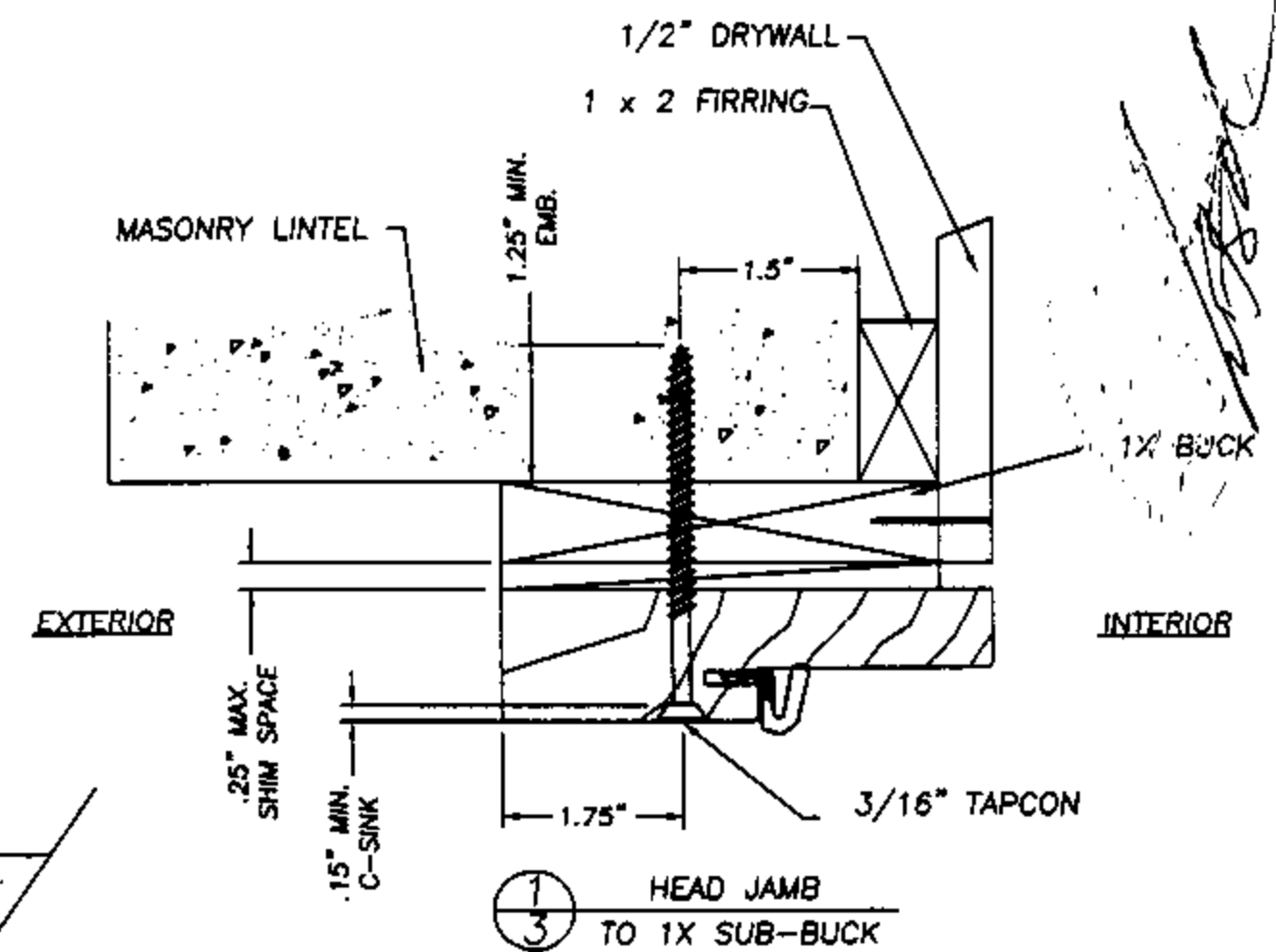
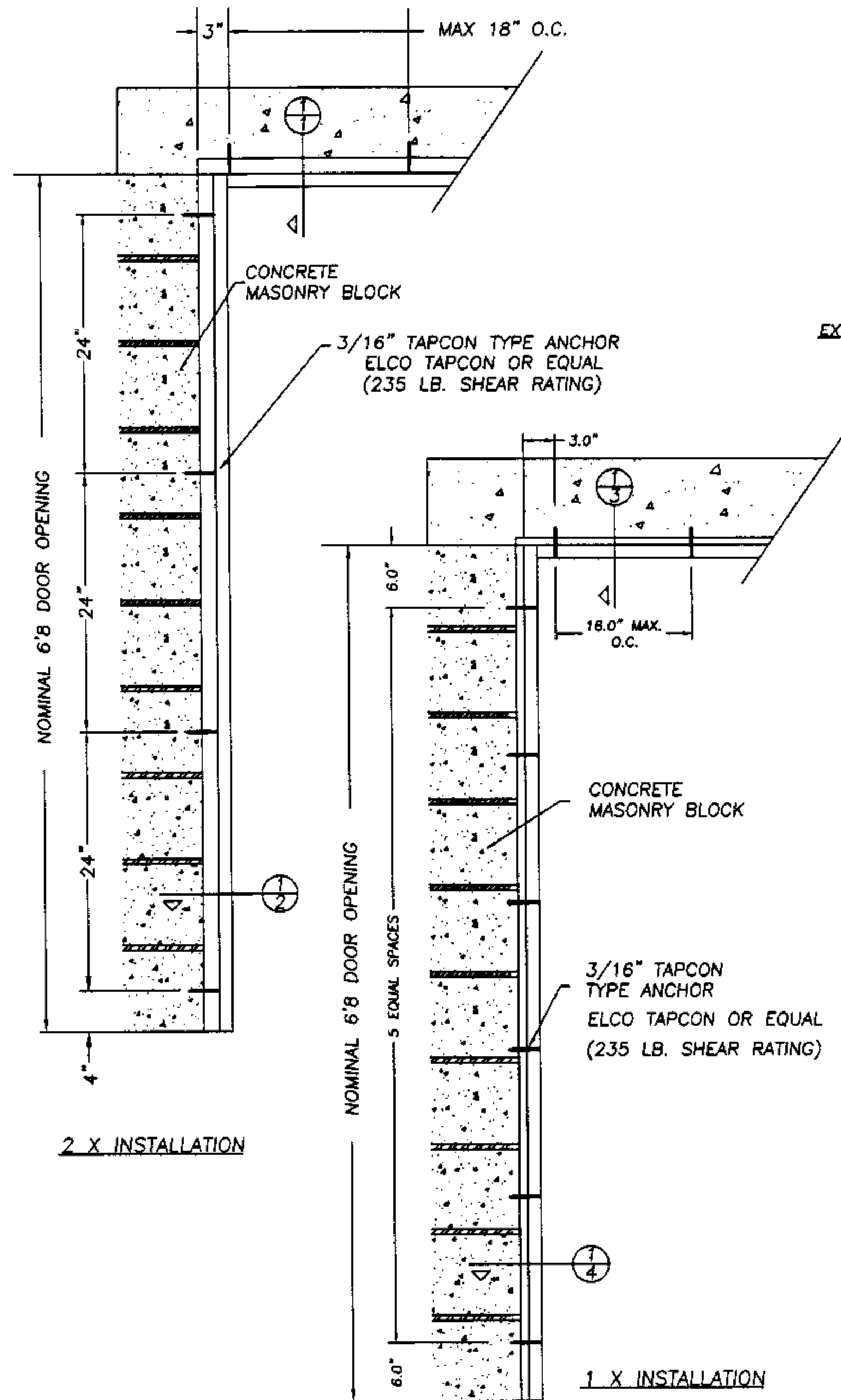
  
 RW BUILDING  
 CONSULTANTS, INC.  
 813.659.9197

DATE: 6/05/02  
 SCALE: N.T.S.  
 DWG. BY: RW  
 CHK. BY: RW  
 DRAWING NO.: JW-101-OC  
 SHEET 1 OF 4



NOTE:

A minimum clearance of 2.0" for all anchoring screws to mortar joints must be maintained.



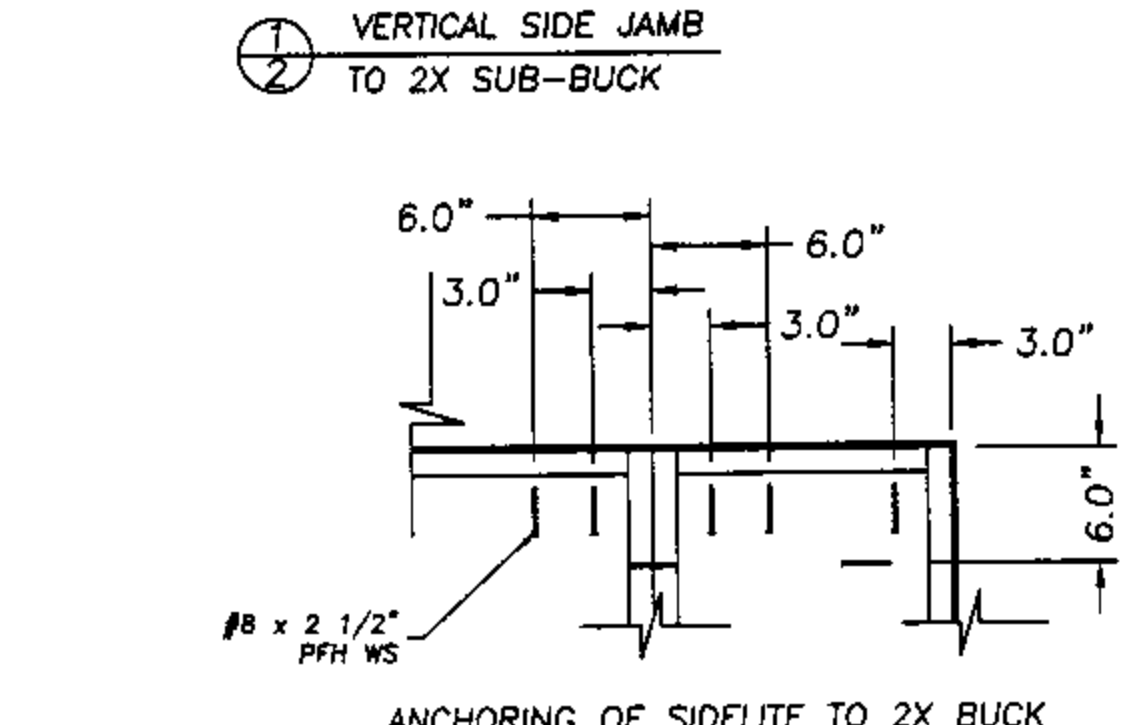
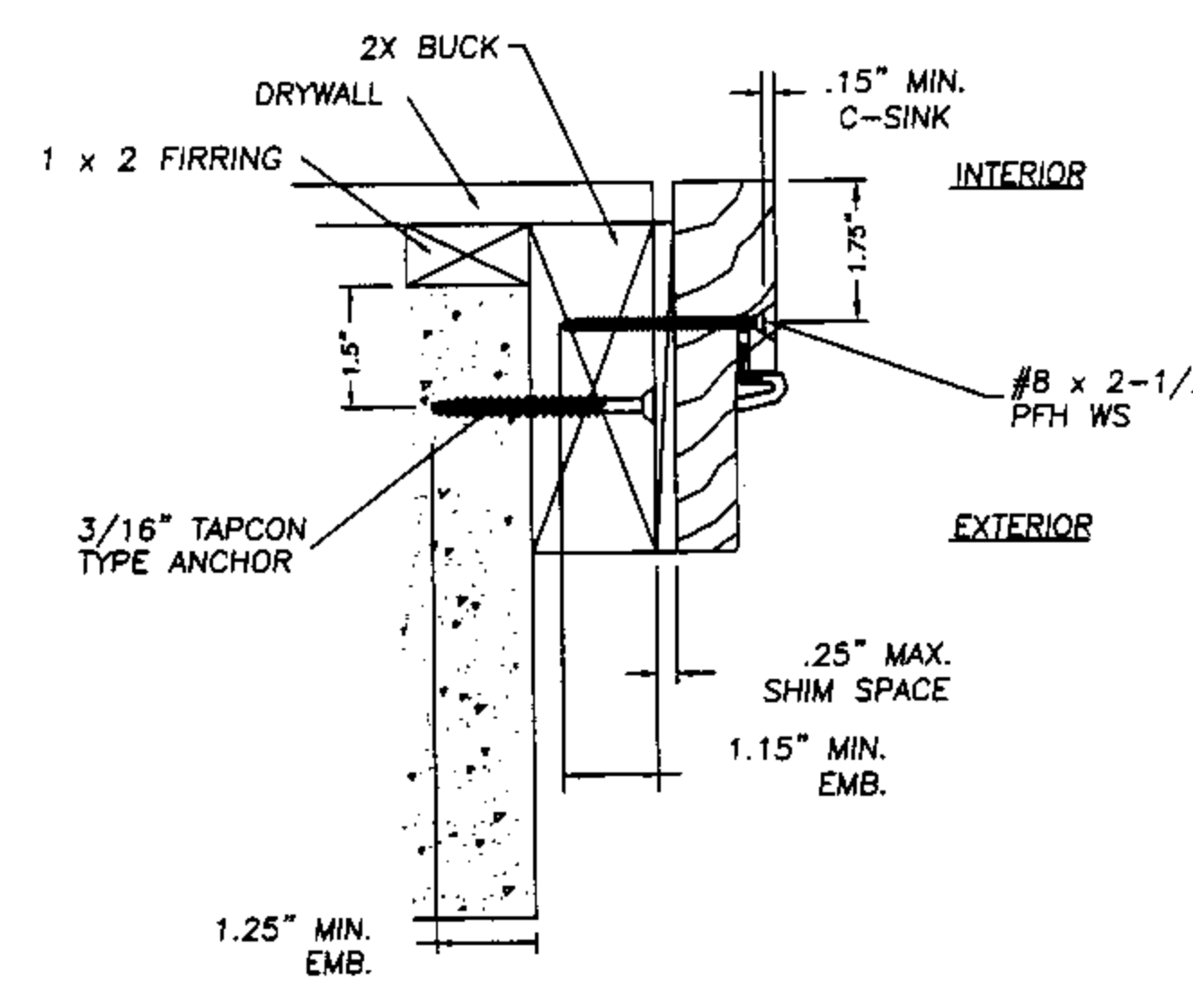
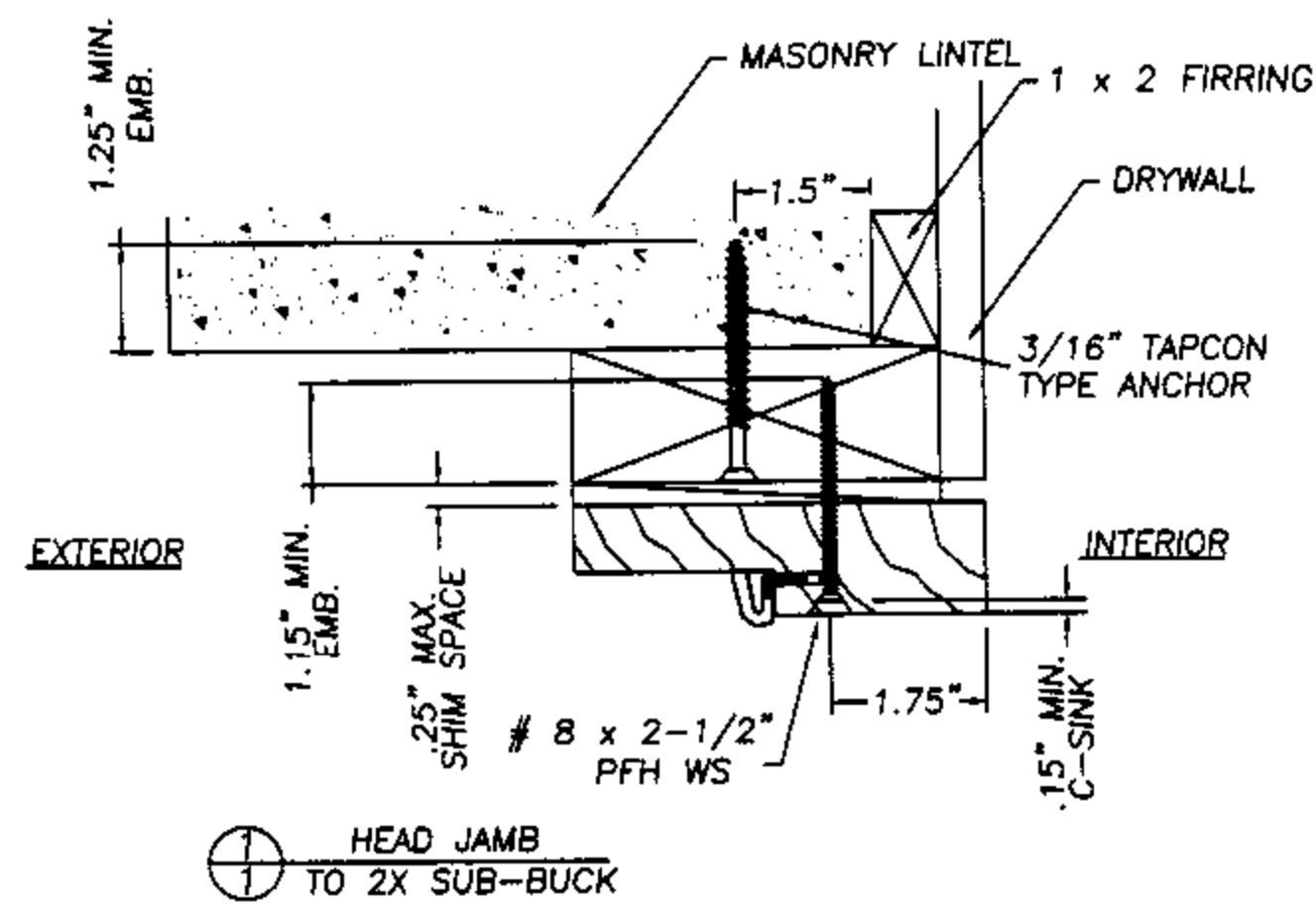
JUNE 26, 2002  
 Lyndon F. Schmidt  
 Florida P. E. No. 43409  
 19506 French Lace Drive  
 Lutz, FL 33558

JELD-WEN, INC.  
 31725 HIGHWAY 97 NORTH  
 CHILOQUIN, OR. 97624  
 PH. 541.783.2057

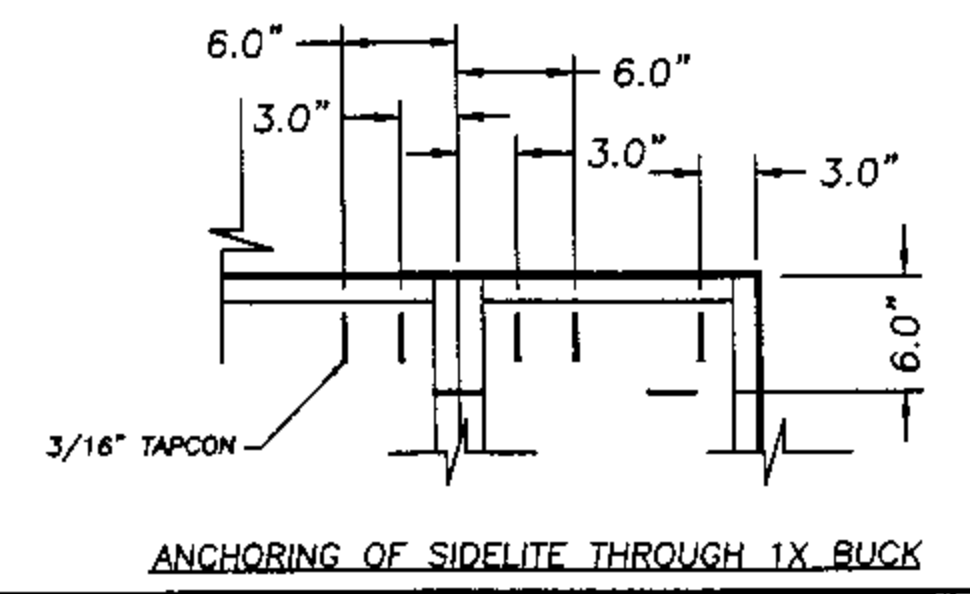
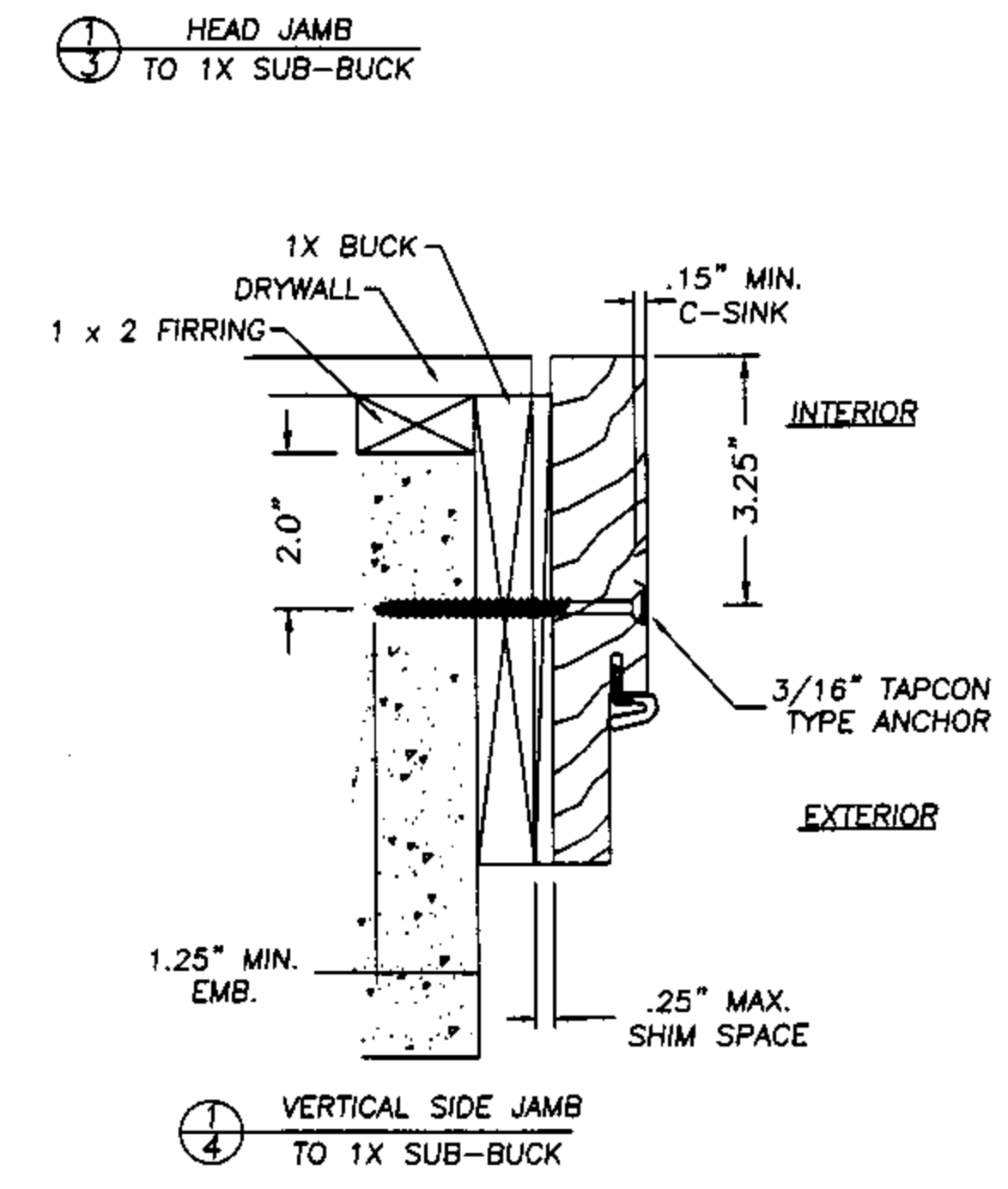
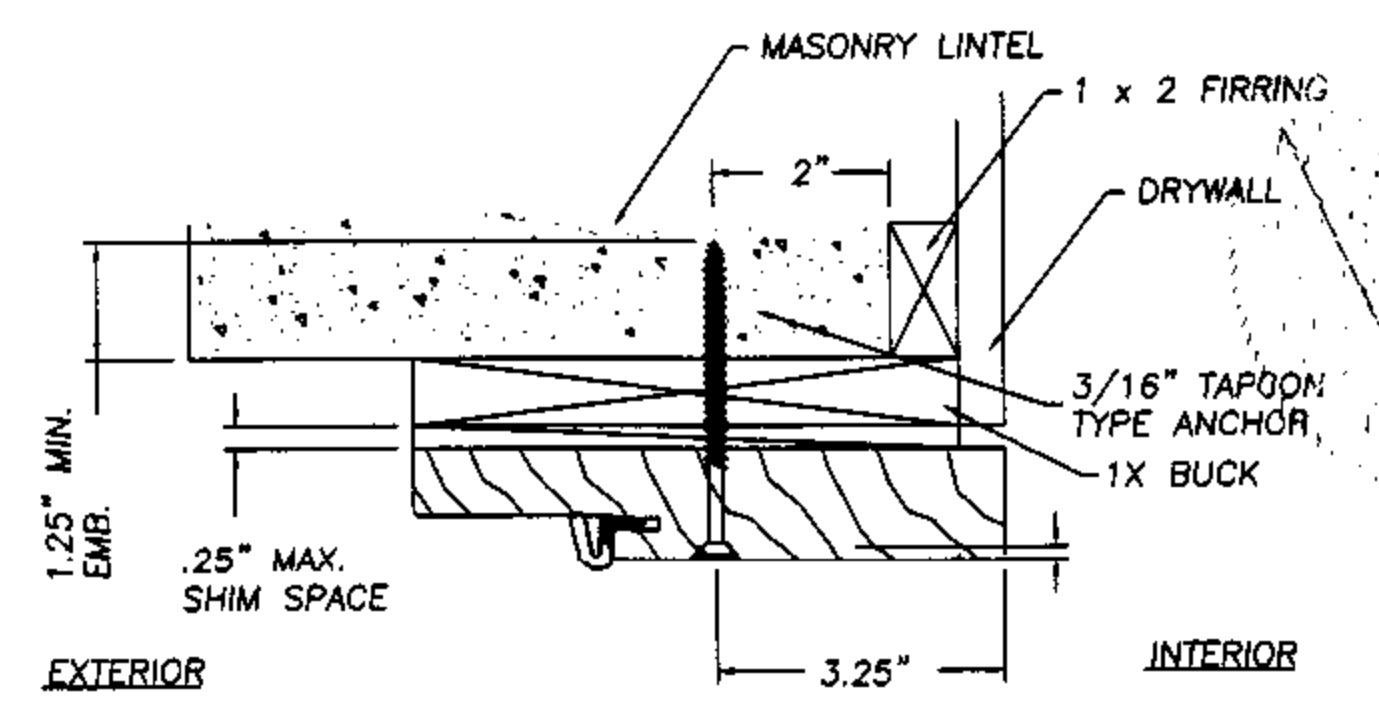
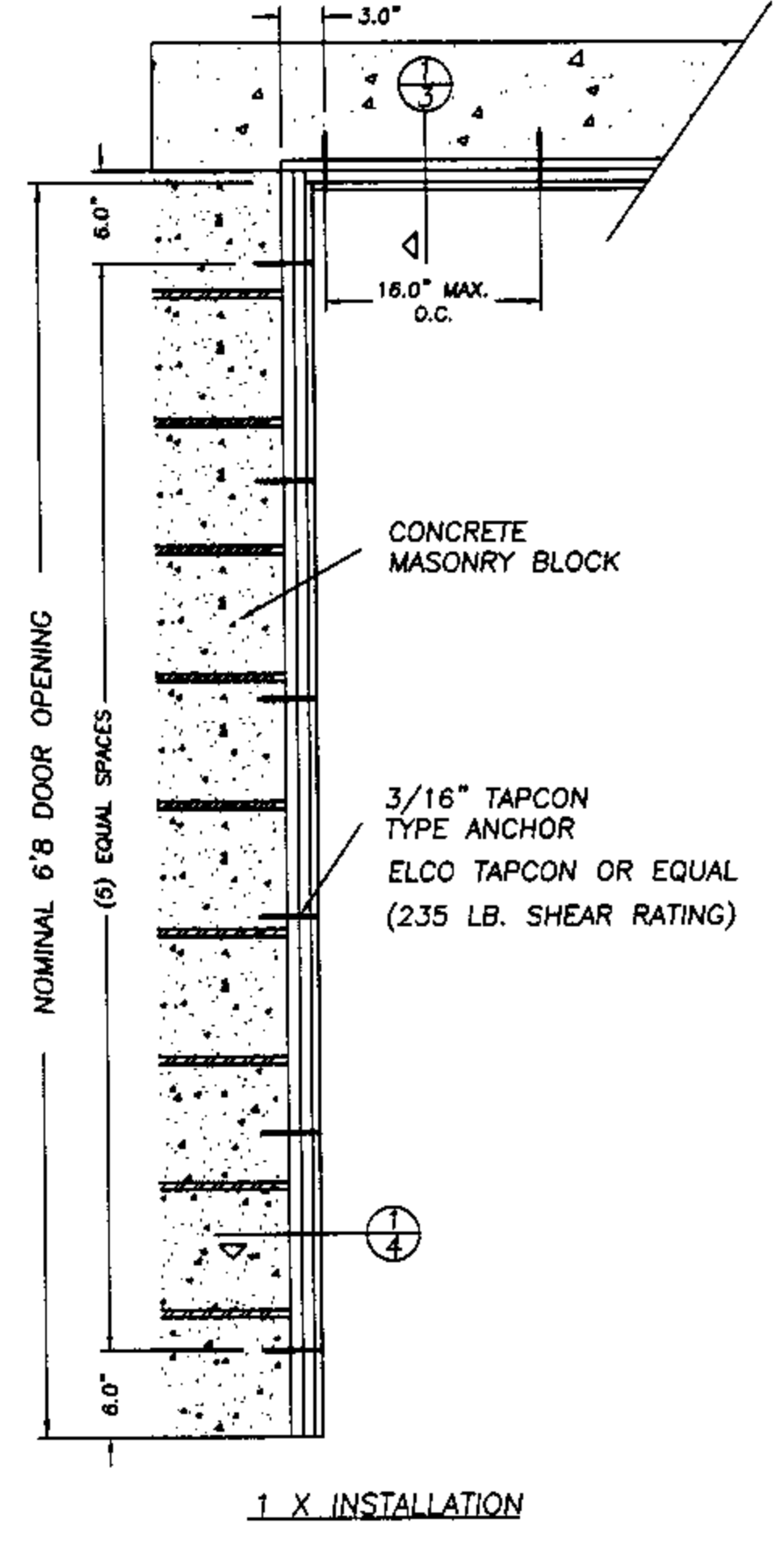
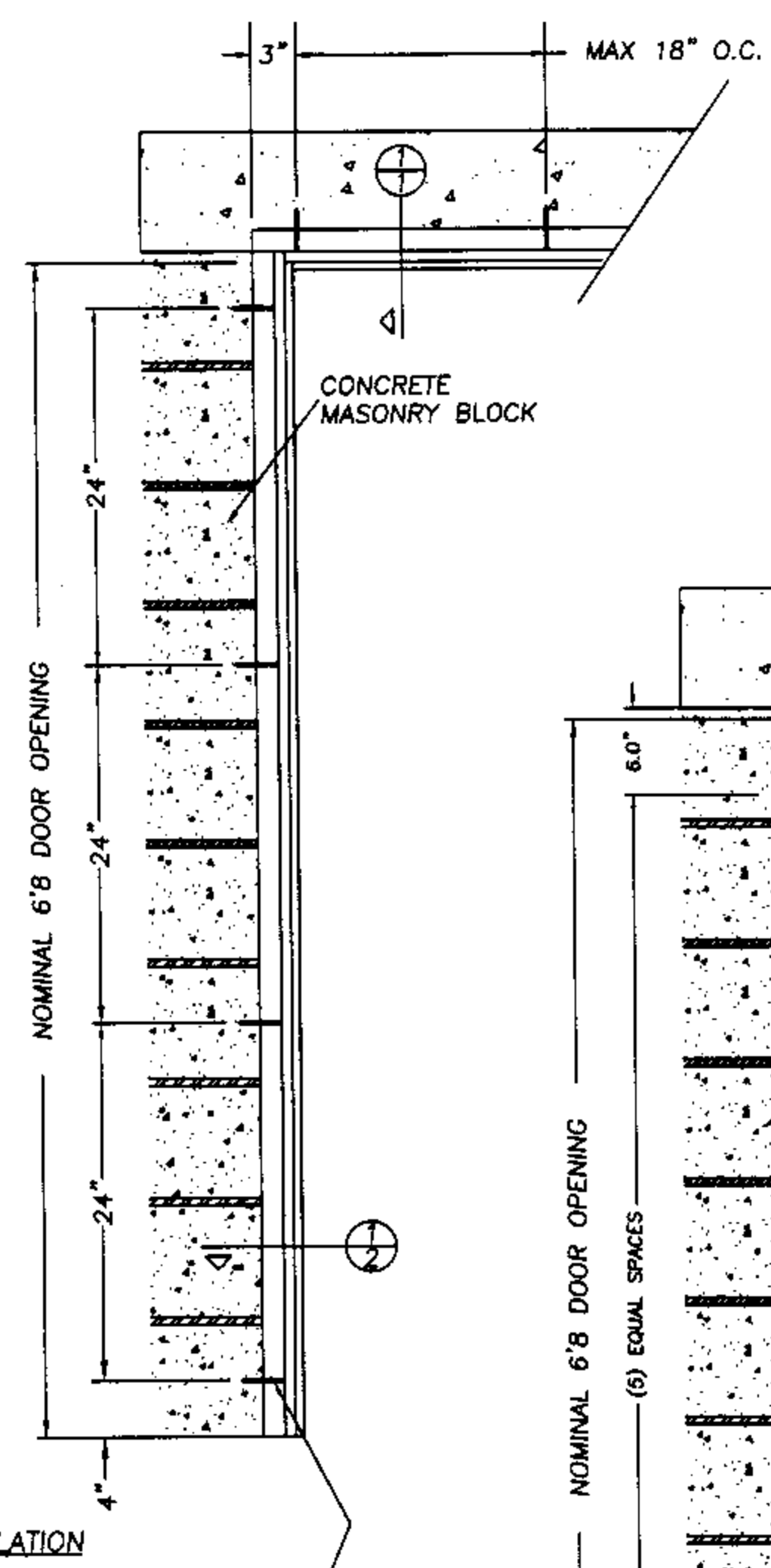
ANCHOR CROSS SECTIONS  
 MASONRY 6'8  
 IN-SWING WOOD FRAME

RW BUILDING CONSULTANTS, INC.  
 813.659.9197

DATE: 6/05/02  
 SCALE: NTS  
 DWG. BY: WLN  
 CHK. BY: RW  
 DRAWING NO.: JW-101-OC  
 SHEET 2 OF 4



**NOTE:**  
 1. When using a 1X sub-buck a 6-9/16" jamb is required to allow for min. edge spacing for Tapcon type anchors.  
 2. A minimum clearance of 2.0" for all anchoring screws to mortar joints must be maintained.



ANCHORING OF SIDELITE THROUGH 1X BUCK

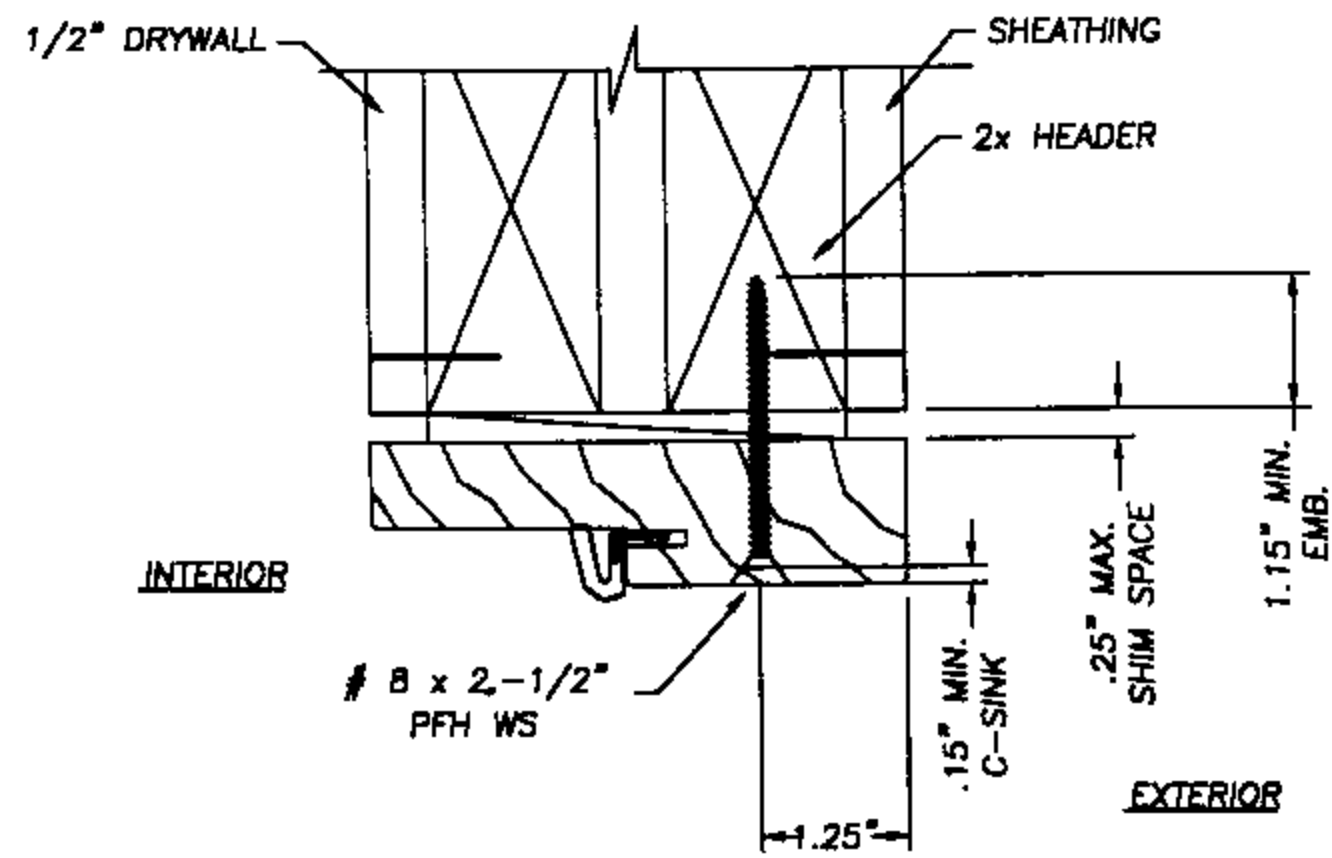
JUNE 28, 2002  
 Lyndon F. Schmidt  
 Florida P. E. No. 43409  
 19506 French Lace Drive  
 Lutz, FL 33558

**JELD-WEN, INC.**  
 31725 HIGHWAY 97 NORTH  
 CHILOQUIN, OR. 97624  
 PH. 541.783.2057

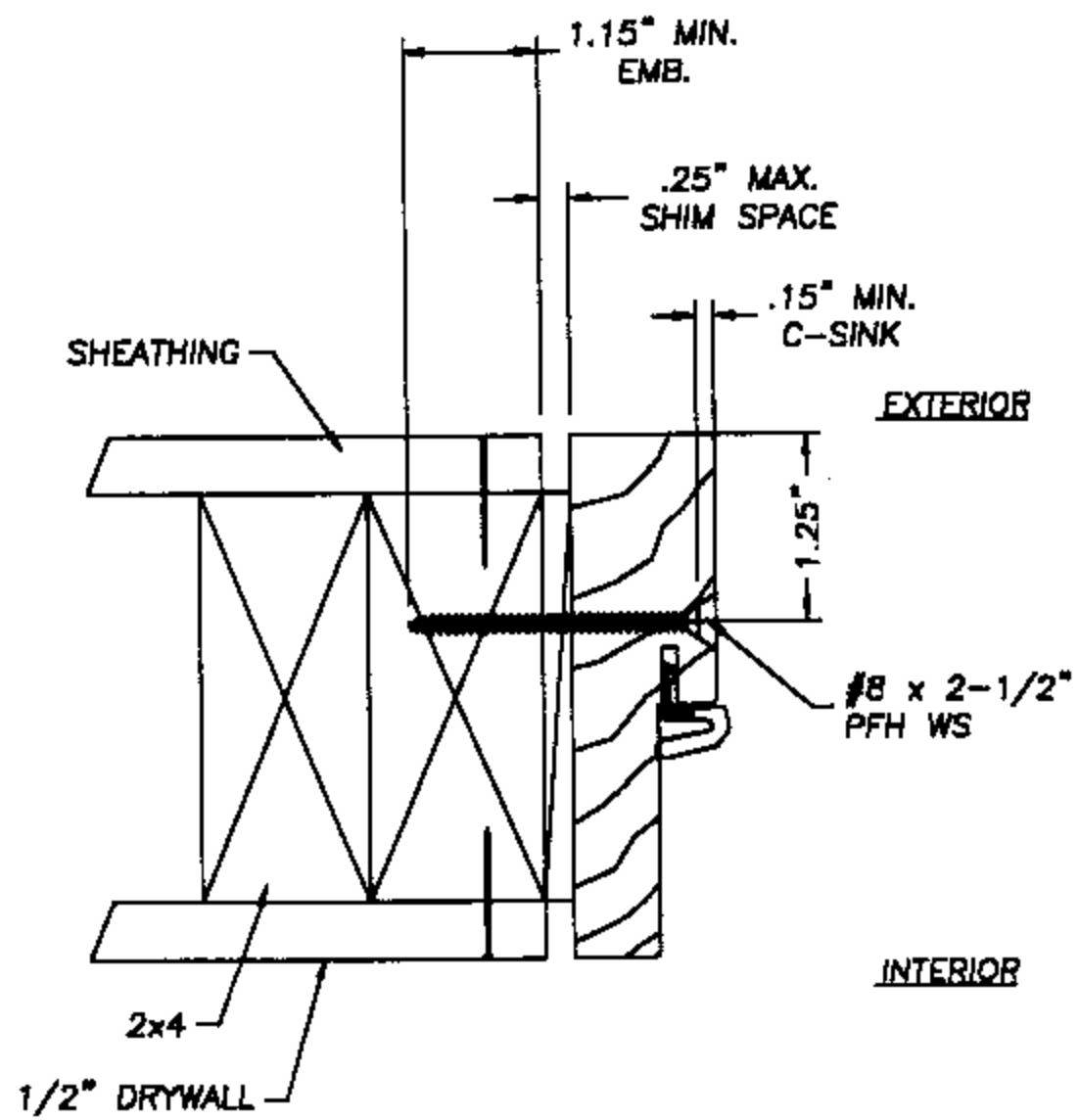
ANCHOR CROSS SECTIONS  
 MASONRY 6'8  
 OUT-SWING WOOD FRAME

**RW** BUILDING  
 CONSULTANTS, INC.  
 813.659.9197

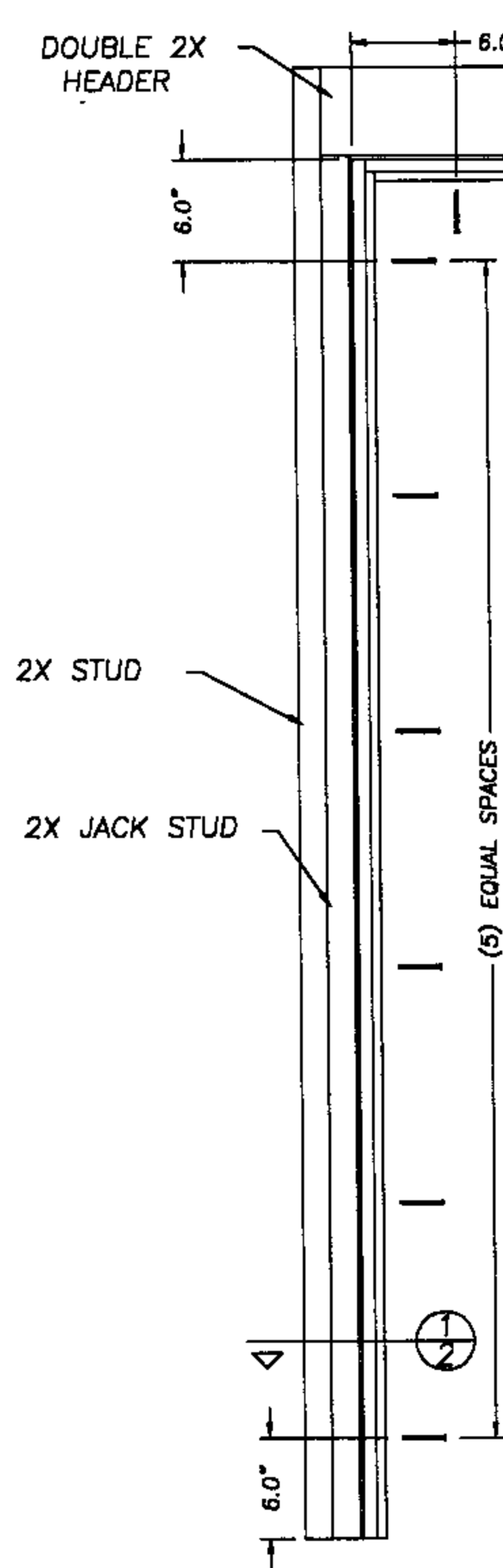
DATE: 6/05/02  
 SCALE: NTS  
 DWG. BY: WLN  
 CHK. BY: RW  
 DRAWING NO.: JW-101-OC  
 SHEET 3 OF 4



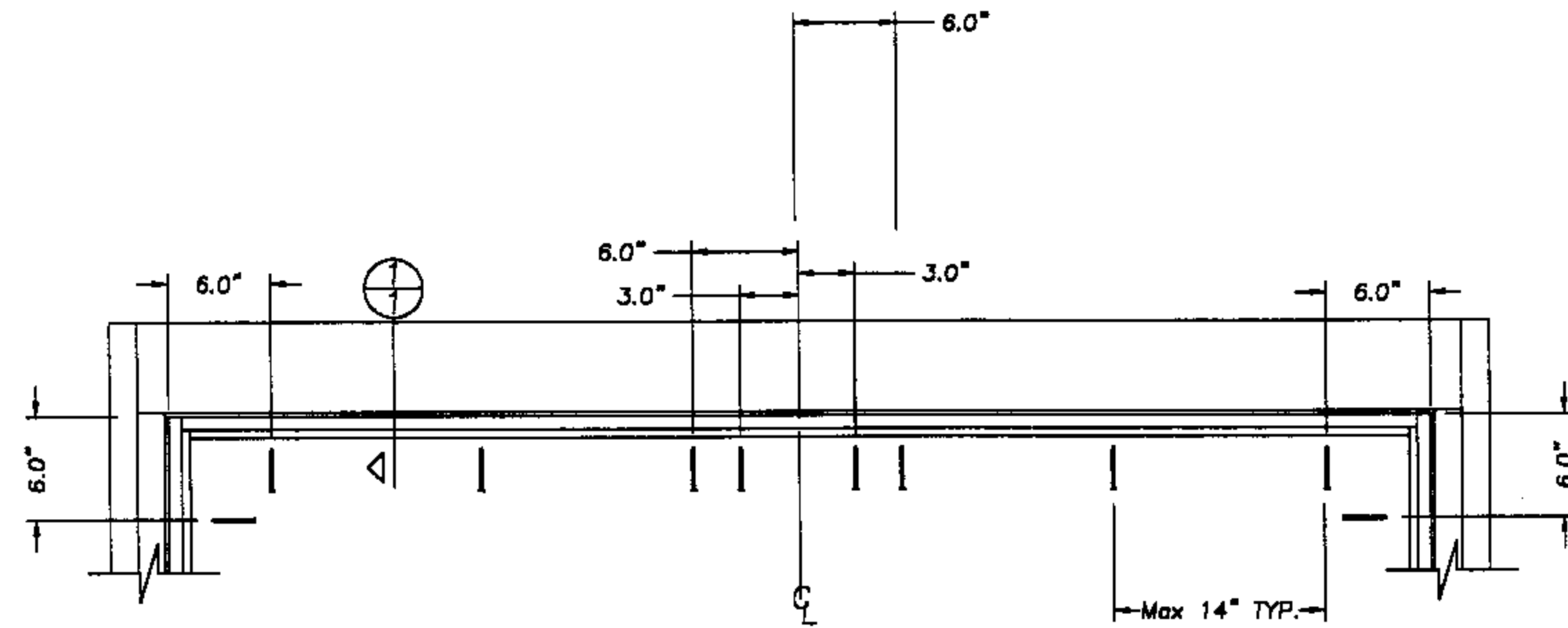
1 HEAD JAMB



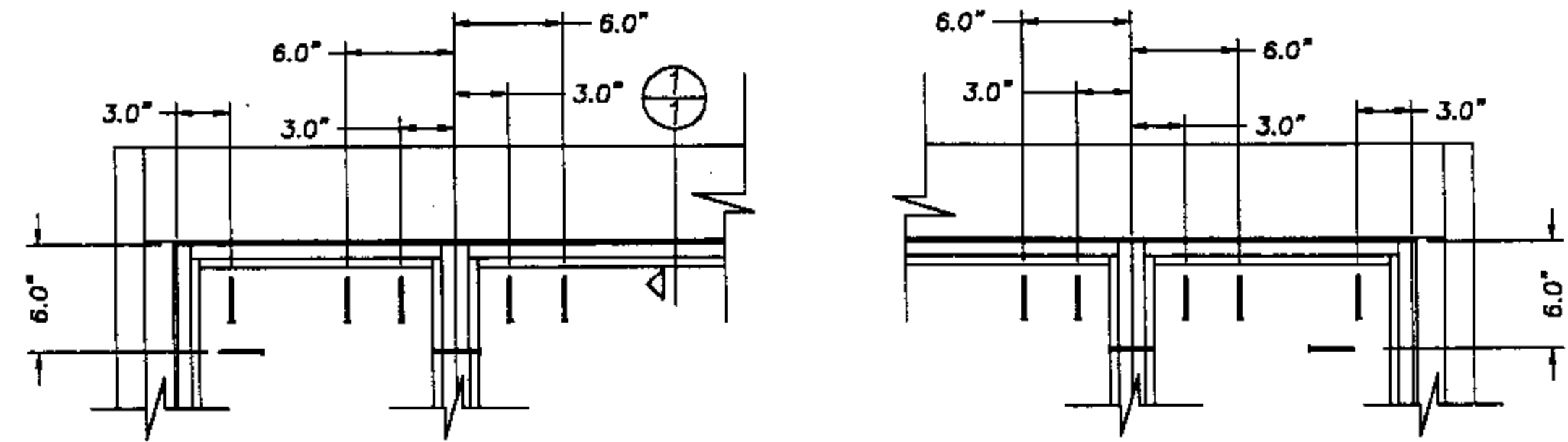
2 VERTICAL SIDE JAMB



SINGLE DOOR



DOUBLE DOOR



SINGLE OR DOUBLE DOOR WITH SIDELITES

JUNE 28, 2002  
 Lyndon F. Schmidt  
 Florida P. E. No. 43409  
 19506 French Lake Drive  
 Lutz, FL 33558

JELD-WEN, INC.  
 31725 HIGHWAY 97 NORTH  
 CHILOQUIN, OR. 97624  
 PH. 541.783.2057

ANCHOR CROSS SECTIONS  
 WOOD OR STEEL STUD  
 IN-SWING / OUT-SWING  
 WOOD FRAME

RW BUILDING  
 CONSULTANTS, INC.  
 813.659.9197

DATE: 6/05/02  
 SCALE: NTS  
 DWG. BY: TJH  
 CHK. BY: RW  
 DRAWING NO.: JW-101-OC  
 SHEET 4 OF 4