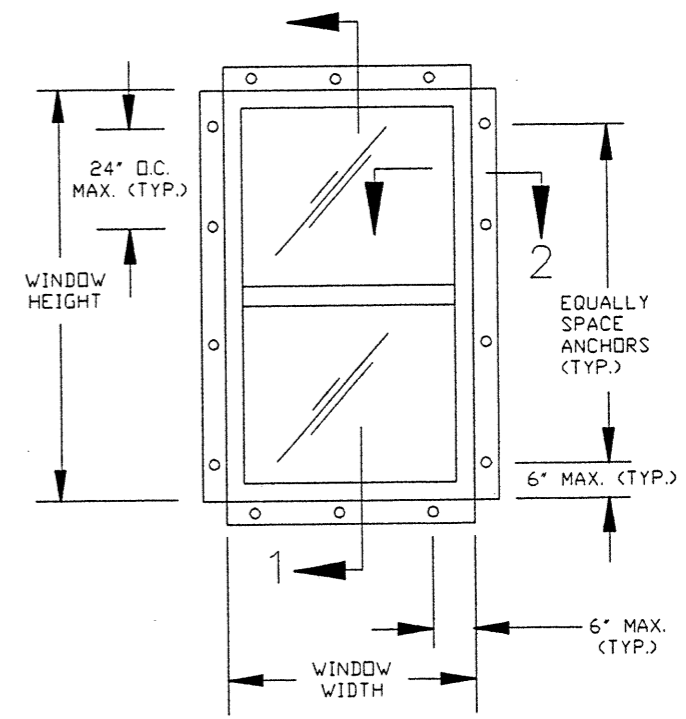
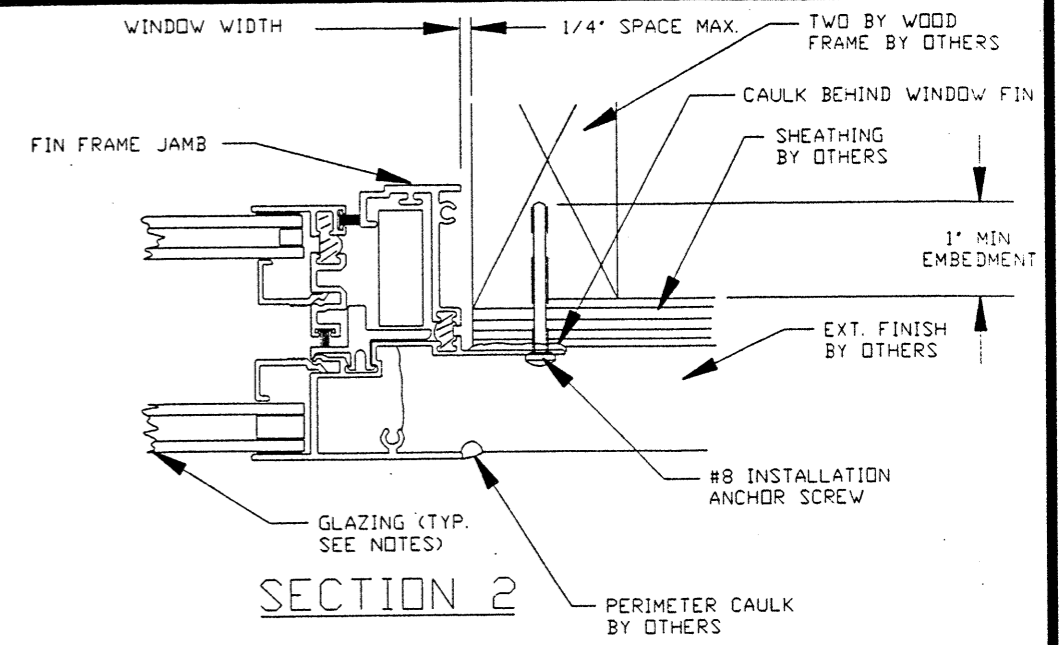
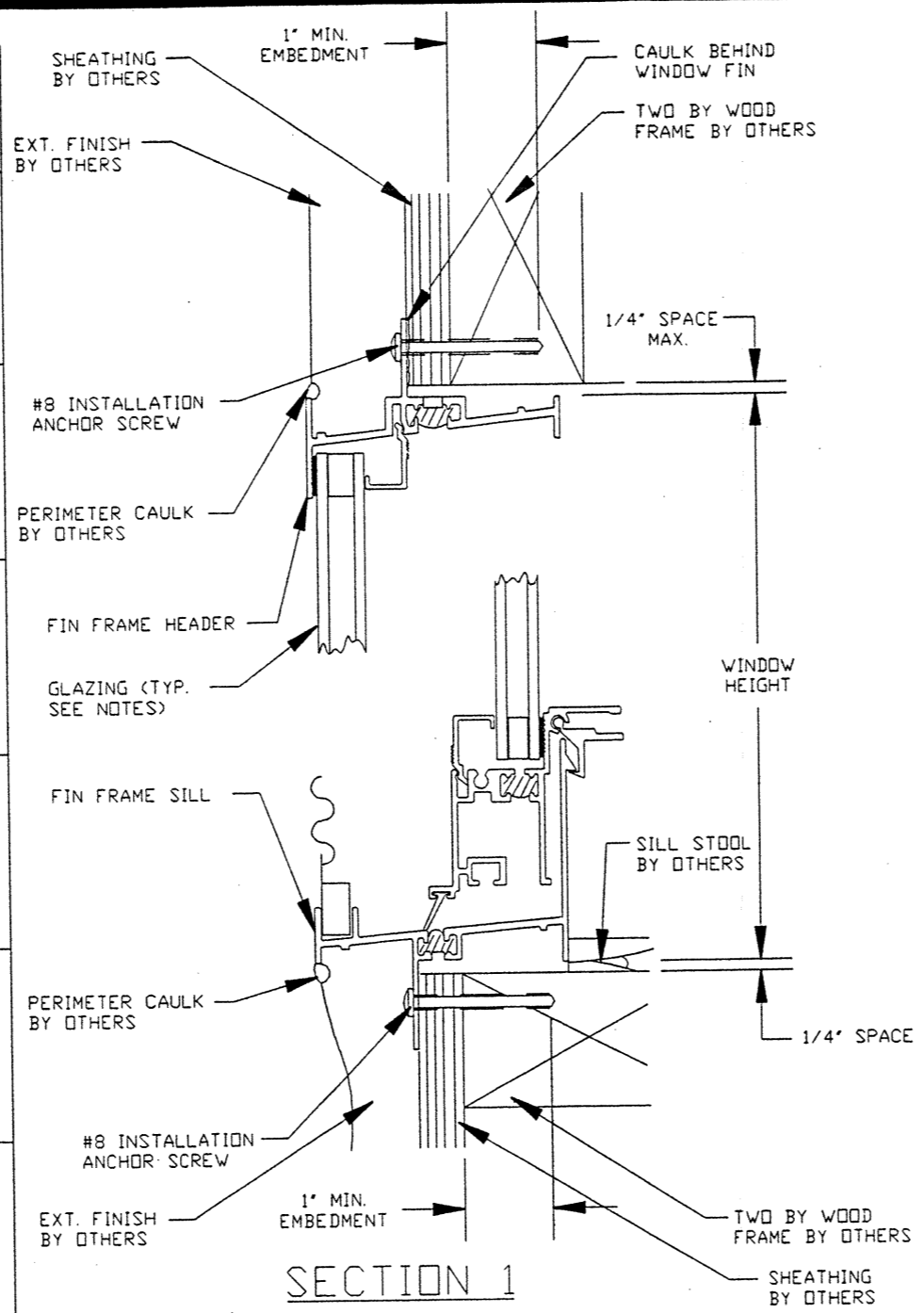


ANCHOR QUANTITY CHART				
UP TO 70psf				
CALL SIZE	WINDOW SIZE	HEAD	SILL	@ EA. JAMB
2024	24 x 28	2	2	2
2030	24 x 36	2	2	2
2038	24 x 44	2	2	3
2044	24 x 52	2	2	3
2050	24 x 60	2	2	3
2060	24 x 72	2	2	4
2070	24 x 84	2	2	4
2080	24 x 96	2	2	5
2424	28 x 28	2	2	2
2430	28 x 36	2	2	2
2438	28 x 44	2	2	3
2444	28 x 52	2	2	3
2450	28 x 60	2	2	3
2460	28 x 72	2	2	4
2470	28 x 84	2	2	4
2480	28 x 96	2	2	5
2824	32 x 28	2	2	2
2830	32 x 36	2	2	2
2838	32 x 44	2	2	3
2844	32 x 52	2	2	3
2850	32 x 60	2	2	3
2860	32 x 72	2	2	4
2870	32 x 84	2	2	4
2880	32 x 96	2	2	5
3024	36 x 28	2	2	2
3030	36 x 36	2	2	2
3038	36 x 44	2	2	3
3044	36 x 52	2	2	3
3050	36 x 60	2	2	3
3060	36 x 72	2	2	4
3070	36 x 84	2	2	4
3080	36 x 96	2	2	5
3424	40 x 28	3	3	2
3430	40 x 36	3	3	2
3438	40 x 44	3	3	3
3444	40 x 52	3	3	3
3450	40 x 60	3	3	3
3460	40 x 72	3	3	4
3470	40 x 84	3	3	4
3480	40 x 96	3	3	5
3824	44 x 28	3	3	2
3830	44 x 36	3	3	2
3838	44 x 44	3	3	3
3844	44 x 52	3	3	3
3850	44 x 60	3	3	3
3860	44 x 72	3	3	4
3870	44 x 84	3	3	4
3880	44 x 96	3	3	5
4024	48 x 28	3	3	2
4030	48 x 36	3	3	2
4038	48 x 44	3	3	3
4044	48 x 52	3	3	3
4050	48 x 60	3	3	3
4060	48 x 72	3	3	4
4070	48 x 84	3	3	4
4080	48 x 96	3	3	5
4424	52 x 28	3	3	2
4430	52 x 36	3	3	2
4438	52 x 44	3	3	3
4444	52 x 52	3	3	3
4450	52 x 60	3	3	3
4460	52 x 72	3	3	4
4470	52 x 84	3	3	4
4480	52 x 96	3	3	5



- NOTES:
- 1) WINDOW FRAME MATERIAL: ALUMINUM ALLOY 6063.
 - 2) #8 INSTALLATION ANCHORS MUST BE OF SUFFICIENT LTH. TO ACHIEVE MIN. EMBEDMENT OF 1" INTO FRAMING MEMBER. SPACE #8 SCREW ANCHORS 6" FROM CORNERS AND 24" O.C. MAX.
 - 3) CAULK BEHIND WINDOW FIN AT HEAD & JAMBS WITH DUO-SIL ADHESIVE CAULK OR APPROVED EQUAL. DO NOT CAULK BEHIND SILL FIN. APPLICATION OF DUO-SIL ADHESIVE CAULK MUST COMPLY WITH SEALANT MANUFACTURER'S RECOMMENDATIONS. DO NOT CAULK BEHIND FIN AT WINDOW SILL.
 - 4) USE LATEX CAULK OR EQUIVALENT FOR PERIMETER SEAL AROUND EXTERIOR OF WINDOW BY OTHERS.
 - 5) IF EXACT WINDOW SIZE IS NOT LISTED IN ANCHOR CHART, USE ANCHOR QUANTITY LISTED WITH NEXT LARGER SIZE.
 - 6) GLASS TYPE AND THICKNESS MAY VARY PER THE REQUIREMENTS OF ASTM E1300 GLASS CHARTS. INSULATING GLASS IS SHOWN, SINGLE GLAZING IS ALSO QUALIFIED.
 - 7) FACTORY PUNCHED HOLES IN FIN JAMB DO NOT REQUIRE INSTALLATION SCREWS. INSTALLATION ANCHORS ARE ONLY REQ'D. THRU FIN AS SHOWN ON THIS SHEET.
 - 8) KINCO LTD'S TB SERIES WINDOW IS SHOWN. INSTALLATION DETAILS ALSO APPLY TO KINCO'S TW SERIES WINDOW.

KINCO, LTD. 5245 OLD KINGS ROAD JACKSONVILLE, FLORIDA 32254

TITLE: INSTALLATION DETAIL WOOD FRAME OPENING FIN SINGLE HUNG WINDOW TB & TW SERIES

ENGINEER: MANUEL MARTINEZ DRN: BB DATE: 11/27/01

DISCIPLINE: CIVIL SCALE: N.T.S. DWG. NO: KJAX0072

FL. REG. NO: 47182 REV. LETTER: SHEET: 1 OF 1