

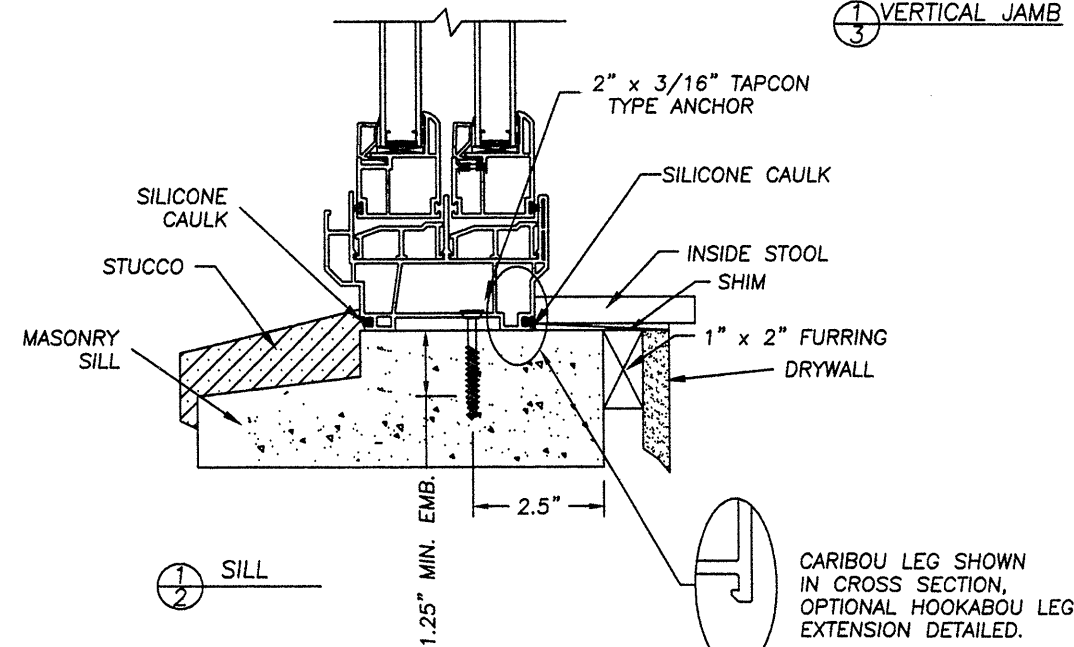
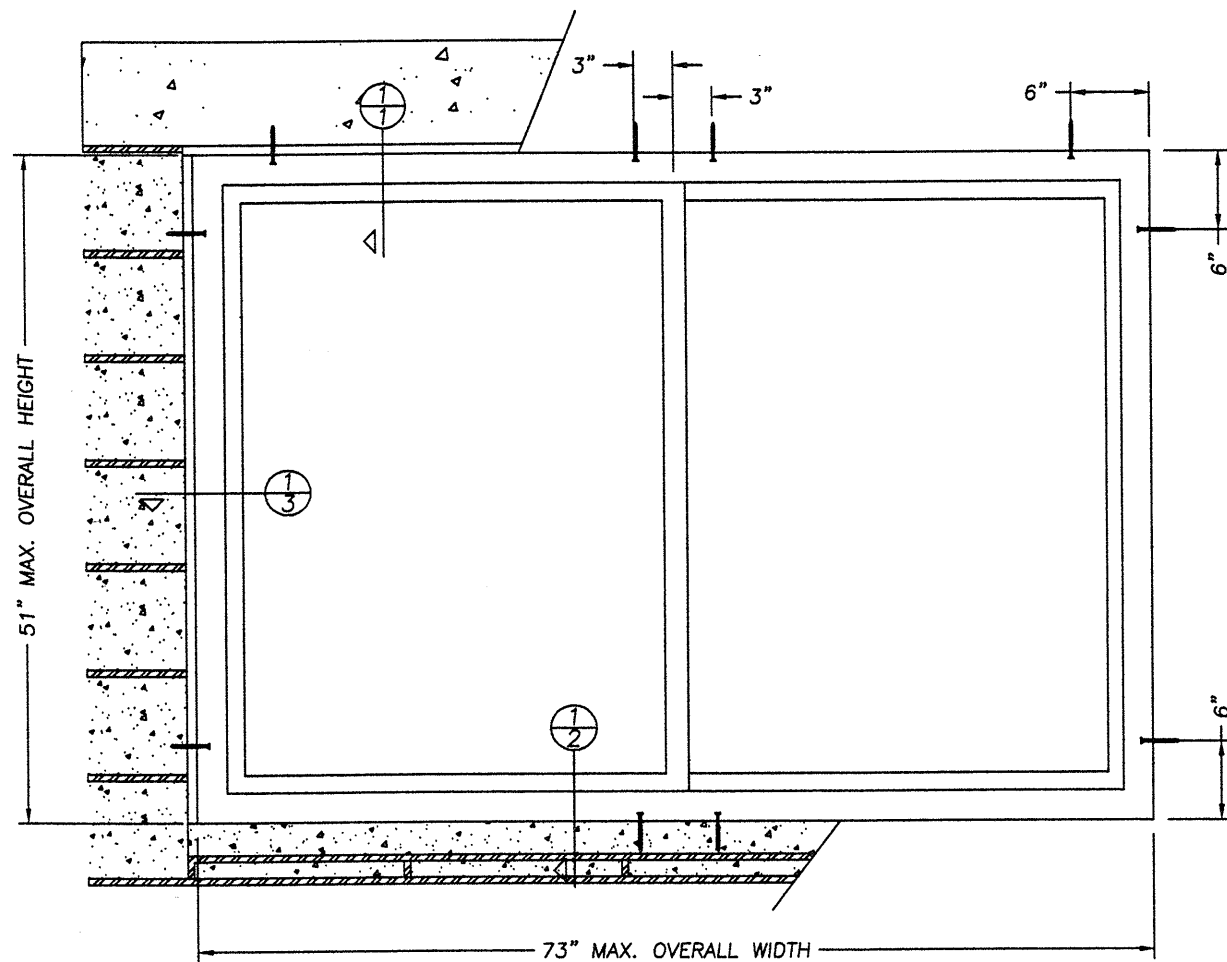
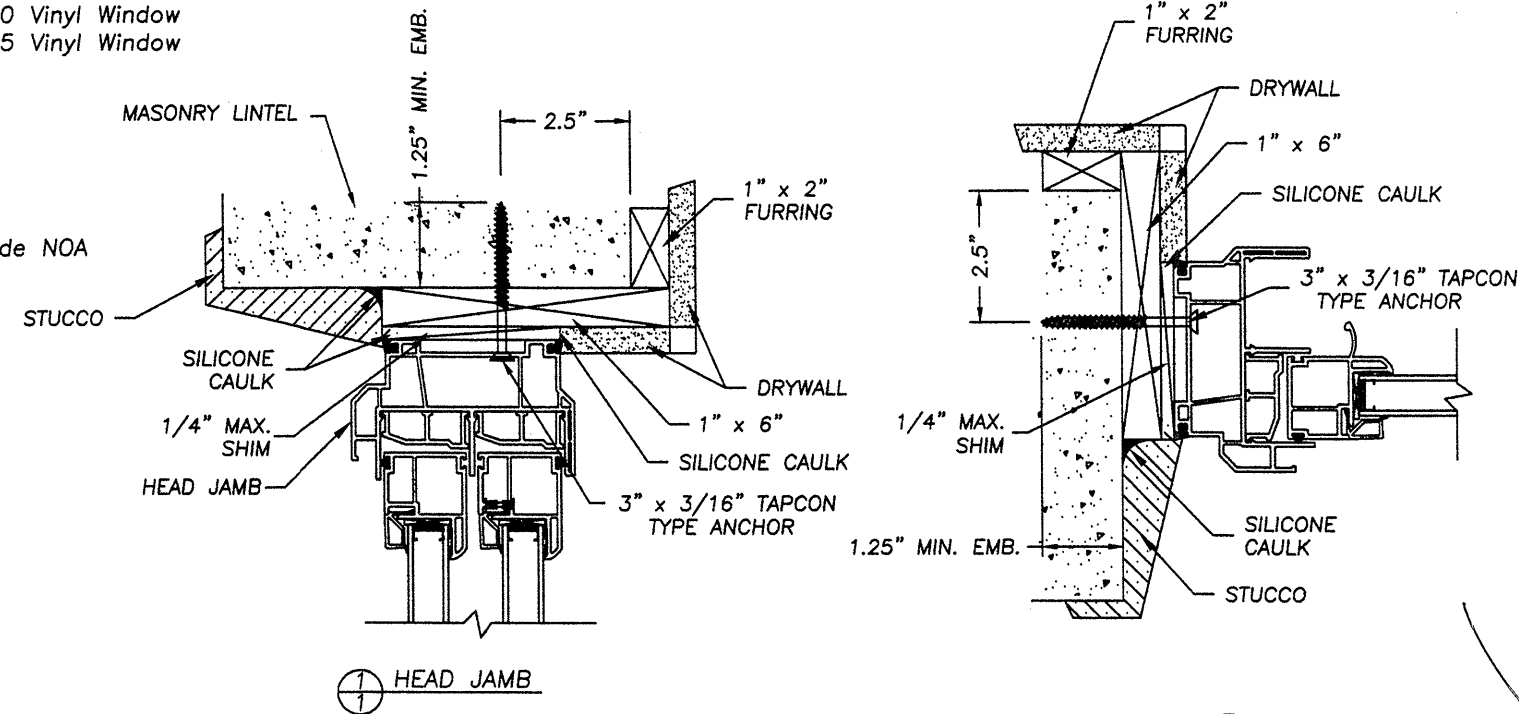
MODEL DESIGNATION: Simonton Horizontal Slider Series 07-70 / 75-70 Vinyl Window
 Simonton Horizontal Slider Series 07-75 / 75-75 Vinyl Window

MAXIMUM OVERALL NOMINAL SIZE: Single up to 73" x 51"

DESIGN PRESSURE RATING: Anchors: Positive 50.0 PSF Negative 50.0 PSF
 Windows: Design Pressure Ratings Vary; See Corresponding AAMA Test Report or Dade NOA or Florida P.E. Evaluation.

USABLE CONFIGURATIONS: XX, OX or XO

GENERAL DESCRIPTION: The head and side jambs are extruded PVC. The wall thickness through which the anchor screw penetrates is a minimum of 0.070".



NOTE:

1. This system has been evaluated for use in locations adhering to the Florida Building Code and where pressure requirements as determined by ASCE 7 Minimum Design Loads for Buildings and Other Structures do not exceed the design pressure ratings listed herein.
2. For installations where the sub-buck is less than 1-1/2" (FBC section 1707.4.4 Anchorage Methods and sub-sections 1707.4.4.1 and 1707.4.4.2) Tapcon type concrete anchors must be used and the length must be such that a minimum 1-1/4" engagement of the Tapcon into the masonry wall is obtained.
3. All interior and exterior perimeter surfaces of the window must be caulked.
4. In the step down application, fill the anchoring screw holes with silicone prior to installing the anchoring screws. After the screws are installed, cover each screw head with silicone. Once the screws have been covered with silicone, cover the screw access hole with an installation cap or Simonton approved sealant tape.

Simonton Windows
 One Cochrane Avenue
 Pennsboro, WV 26415
 PH. 800.426.2249

W.F. Schmitt
 Lyndon F. Schmidt
 Florida P. E. No. 43409
 19506 French Lace Drive
 Lutz, FL 33558

**ANCHORING CROSS SECTIONS
 FOR 1 x BUCK TO MASONRY
 HORIZONTAL SLIDING
 VINYL WINDOW**

**RW BUILDING
 CONSULTANTS, INC.**
 813.684.3831

DATE: 4/12/02

SCALE: N.T.S.

DWG. BY: W.L.N.

CHK. BY: R.W.

DRAWING NO.:
 S-102R

SHEET 1 OF 1