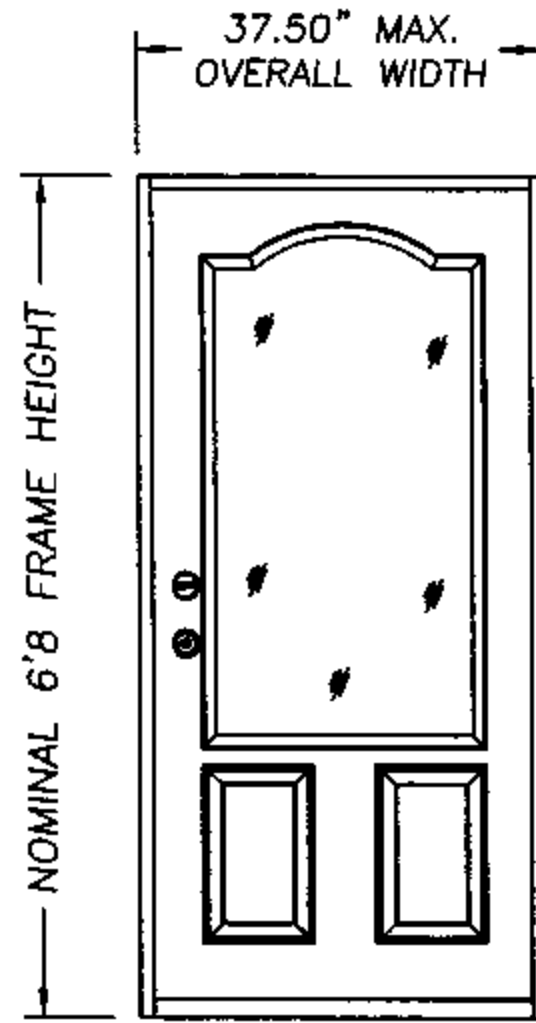


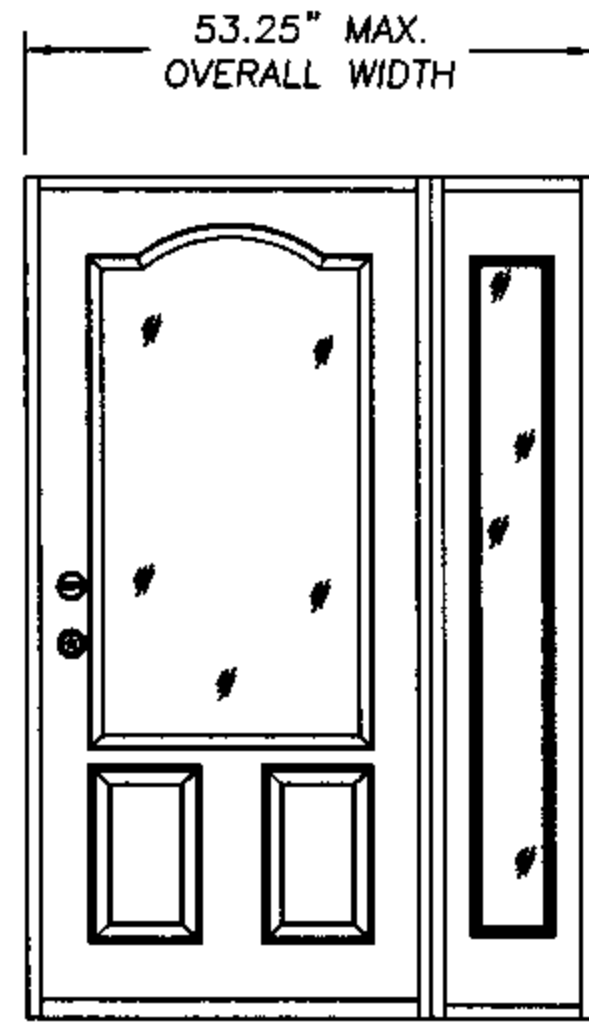
CLASSIC CRAFT[®]

GLAZED INSULATED FIBERGLASS DOOR
OUT-SWING / IN-SWING 6-8 UNITS W/ & W/OUT SIDELITES



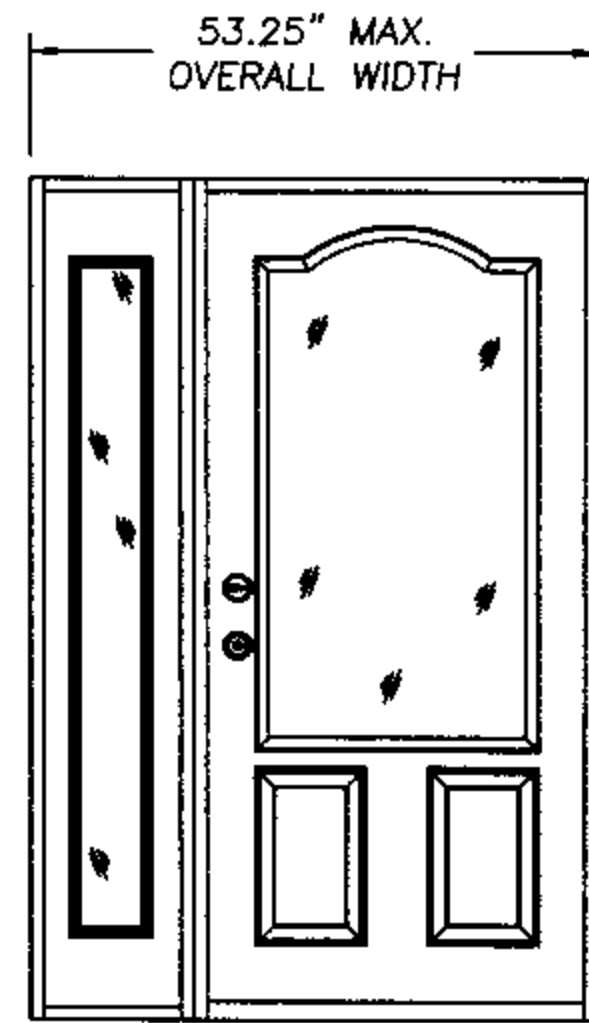
X

DESIGN PRESSURE RATING
OUT-SWING / IN-SWING POS. 67.0 NEG. 67.0



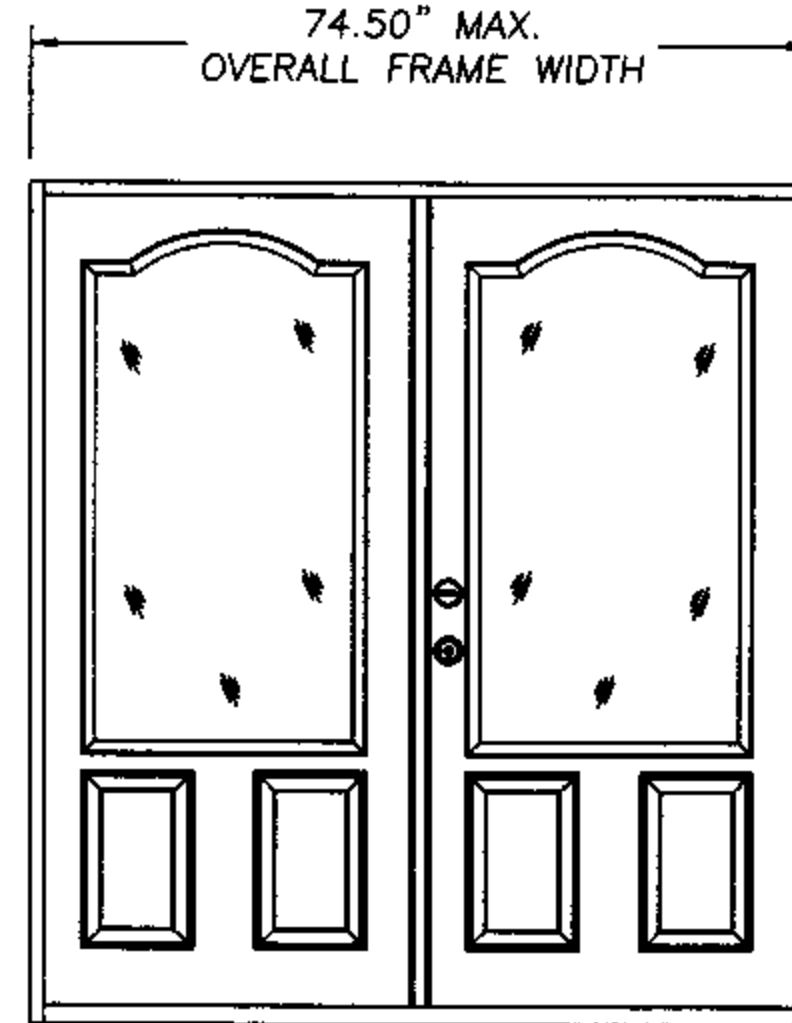
X O

DESIGN PRESSURE RATING
OUT-SWING / IN-SWING POS. 47.0 NEG. 47.0



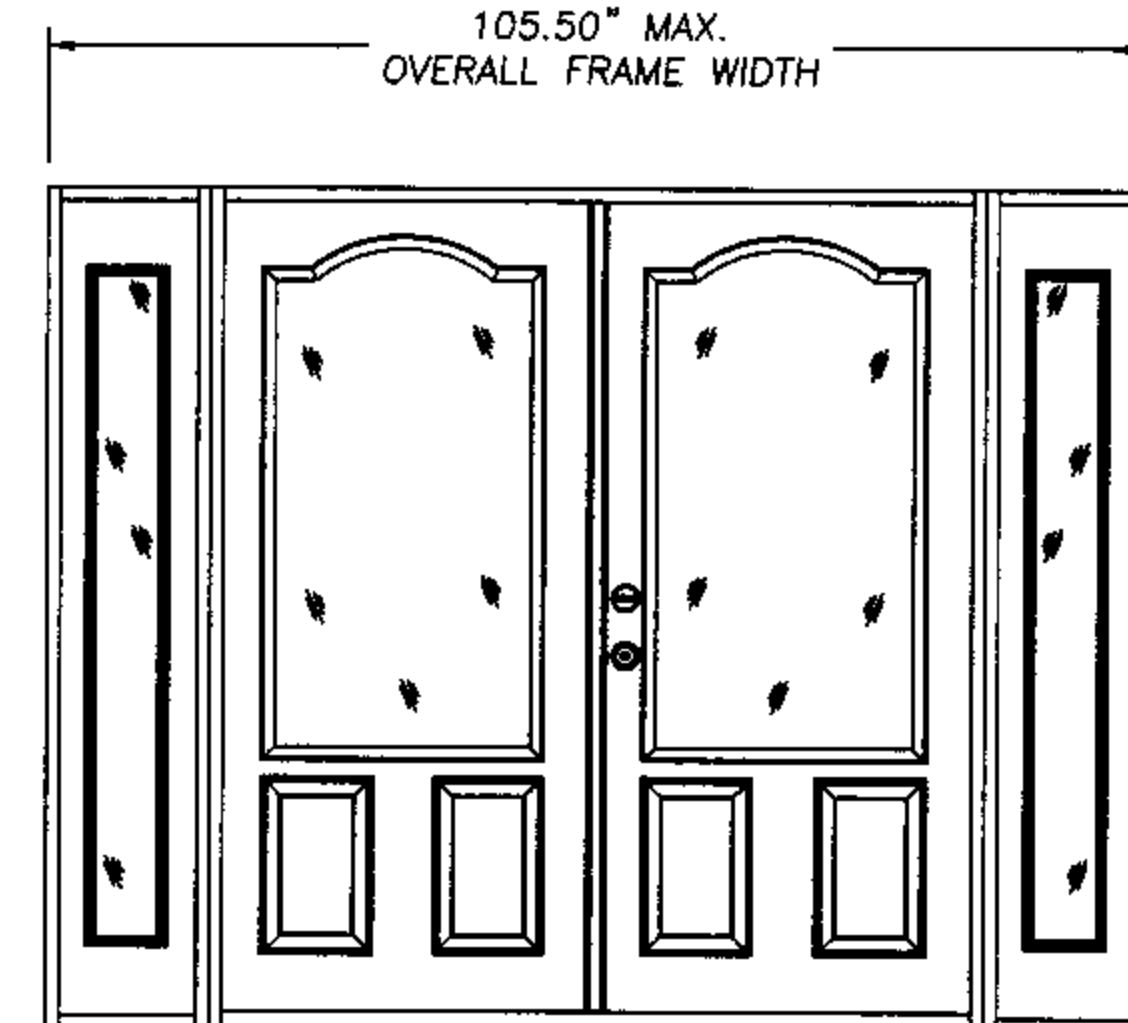
O X

DESIGN PRESSURE RATING
OUT-SWING / IN-SWING POS. 47.0 NEG. 47.0



X X

ASTRAGAL TYPE	DESIGN PRESSURE RATING
Coastal Alum. Astragal	OUT-SWING / IN-SWING POS. 47.0 NEG. 47.0
* Standard Alum. Astragal	OUT-SWING / IN-SWING POS. 40.0 NEG. 40.0



O X X O

ASTRAGAL TYPE	DESIGN PRESSURE RATING
Coastal Alum. Astragal	OUT-SWING / IN-SWING POS. 47.0 NEG. 47.0
* Standard Alum. Astragal	OUT-SWING / IN-SWING POS. 40.0 NEG. 40.0

GENERAL NOTES

1. THIS PRODUCT IS DESIGNED TO COMPLY WITH THE FLORIDA BUILDING CODE.
2. PRODUCT ANCHORS SHALL BE AS LISTED AND SPACED AS SHOWN ON DETAILS.
3. THE UNITS REQUIRE WINDBORNE DEBRIS EXTERNAL PROTECTION AS DESCRIBED IN SECTION 1626.1 OF THE FLORIDA BUILDING CODE WHEN USED IN WINDBORNE DEBRIS AREAS.
4. FOR INSWING MASONRY ANCHORING SEE SHEET 2 OF 4.
5. FOR OUTSWING MASONRY ANCHORING SEE SHEET 3 OF 4.
6. FOR INSWING/OUTSWING WOOD STUD ANCHORING SEE SHEET 4 OF 4.

PRODUCT DESCRIPTION

1. THE DOOR FACE SHEETS ARE 0.105" MIN. THICKNESS.
2. THE STILES AND RAILS ARE WOOD CONSTRUCTION.
3. THE INTERIOR DOOR CAVITY IS URETHANE.
4. THE SIDELITE GLAZING IS 0.5" INSULATED TEMPERED GLASS BY THERMA-TRU.
5. THE WOOD JAMBS ARE A MIN. 4-9/16".
6. THE THRESHOLD IS AN ALUMINUM BUMP FACE TYPE (OUTSWING) OR AN ALUMINUM SADDLE TYPE (INSWING).
- *7. THE STANDARD ALUMINUM ASTRAGAL UTILIZES 7.5" LONG x 0.312" DIA. STEEL ROD WITH A 6.0" LONG ALUMINUM SLIDE ROD REINFORCEMENT BAR TOP AND BOTTOM.
8. ALL LATCHBOLT AND DEADBOLT HARDWARE MUST BE CYLINDRICAL GRADE II WITH A 161 EDGE PREP AND A MINIMUM 1.0" DEADBOLT THROW.

Lyndon F. Schmidt
Florida P. E. No. 43409
19506 French Lace Drive Lutz, FL 33558

[Signature]
JULY 30, 2002

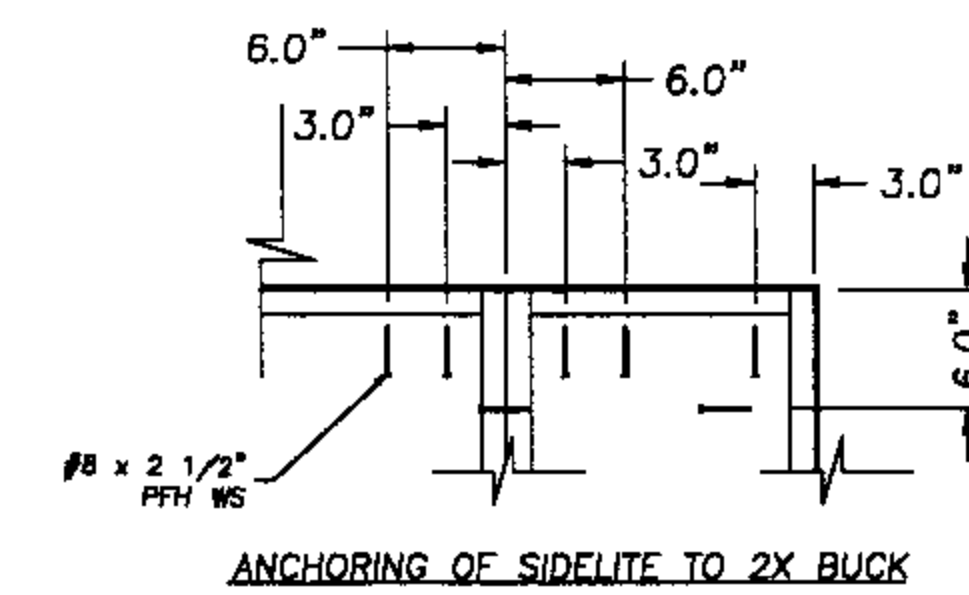
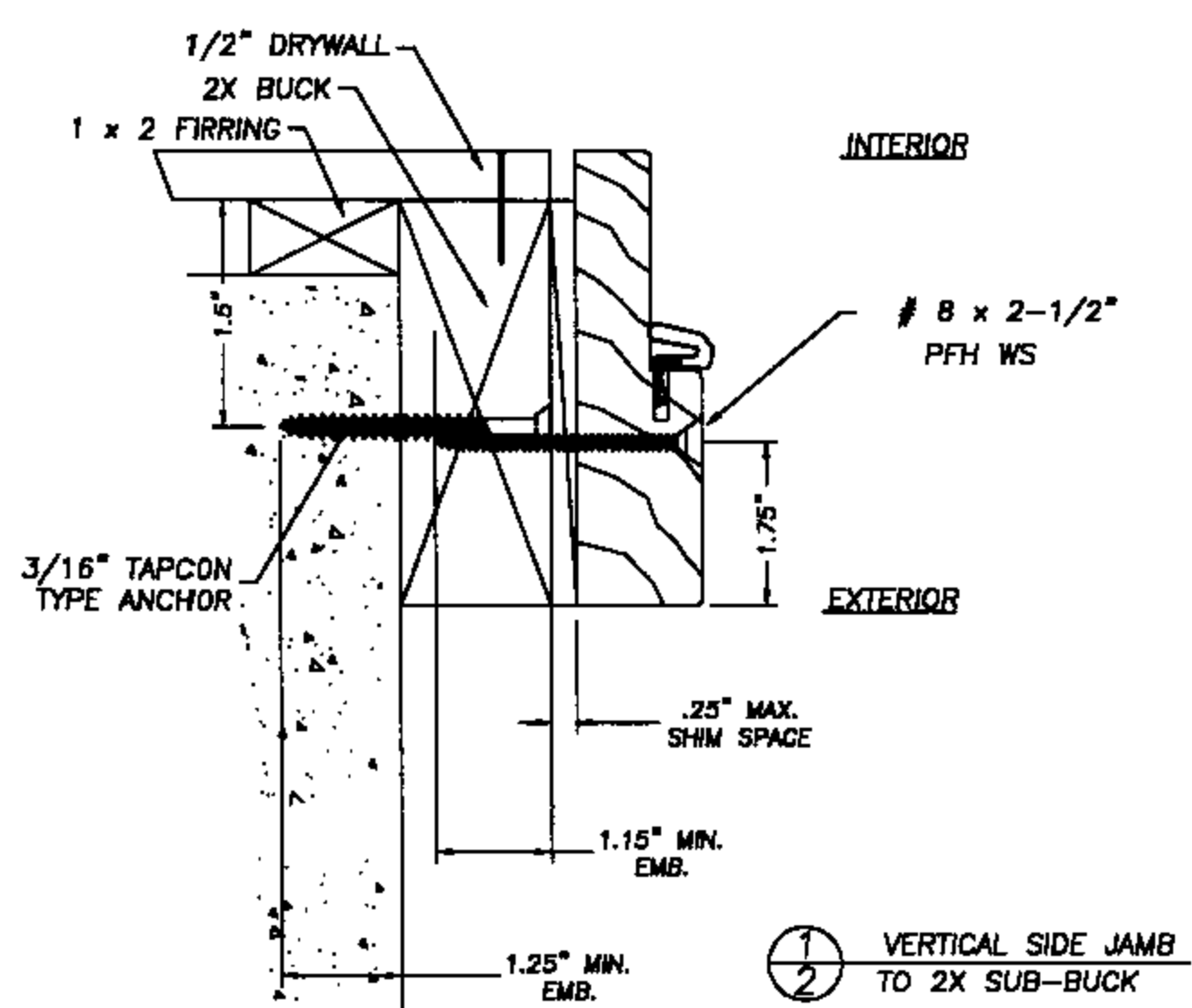
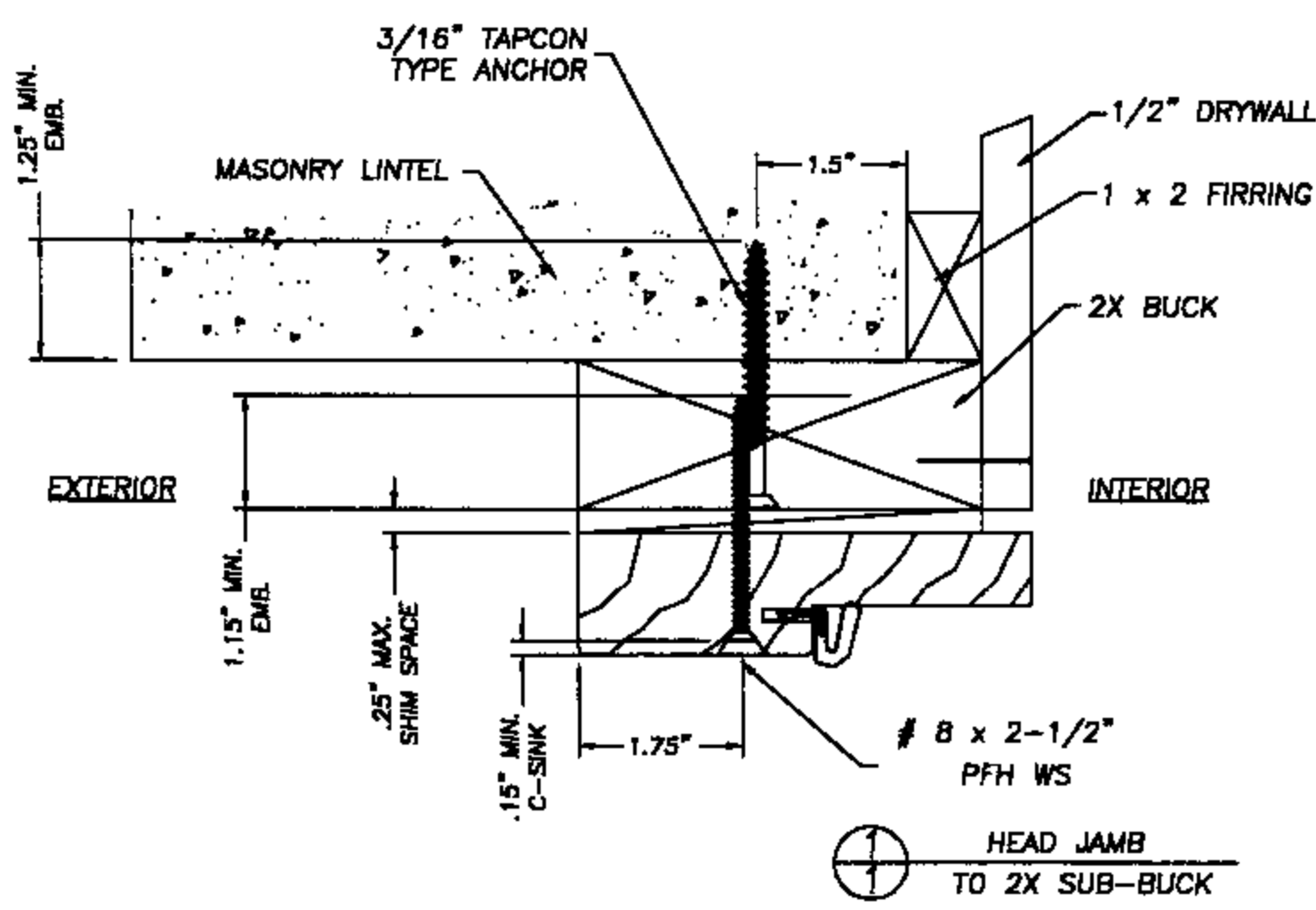
THERMA-TRU CORPORATION
1687 WOODLANDS DRIVE
MAUMEE, OHIO
PH. (800) 537-8827

PRODUCT: WOOD EDGE FIBERGLASS DOOR
GLAZED W/NO SIDELITES
PART OR ASSEMBLY:
GENERAL NOTES &
TYPICAL ELEVATIONS

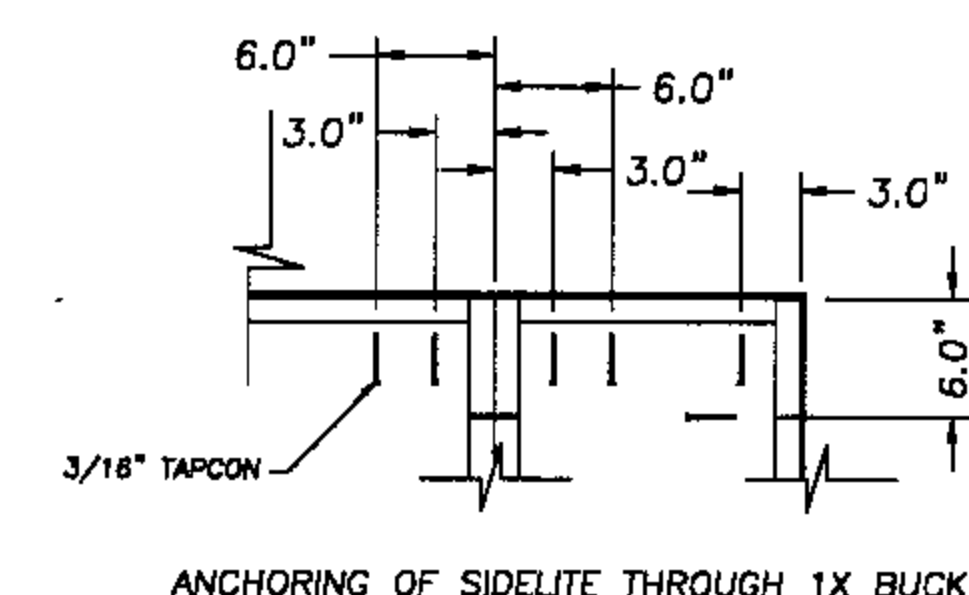
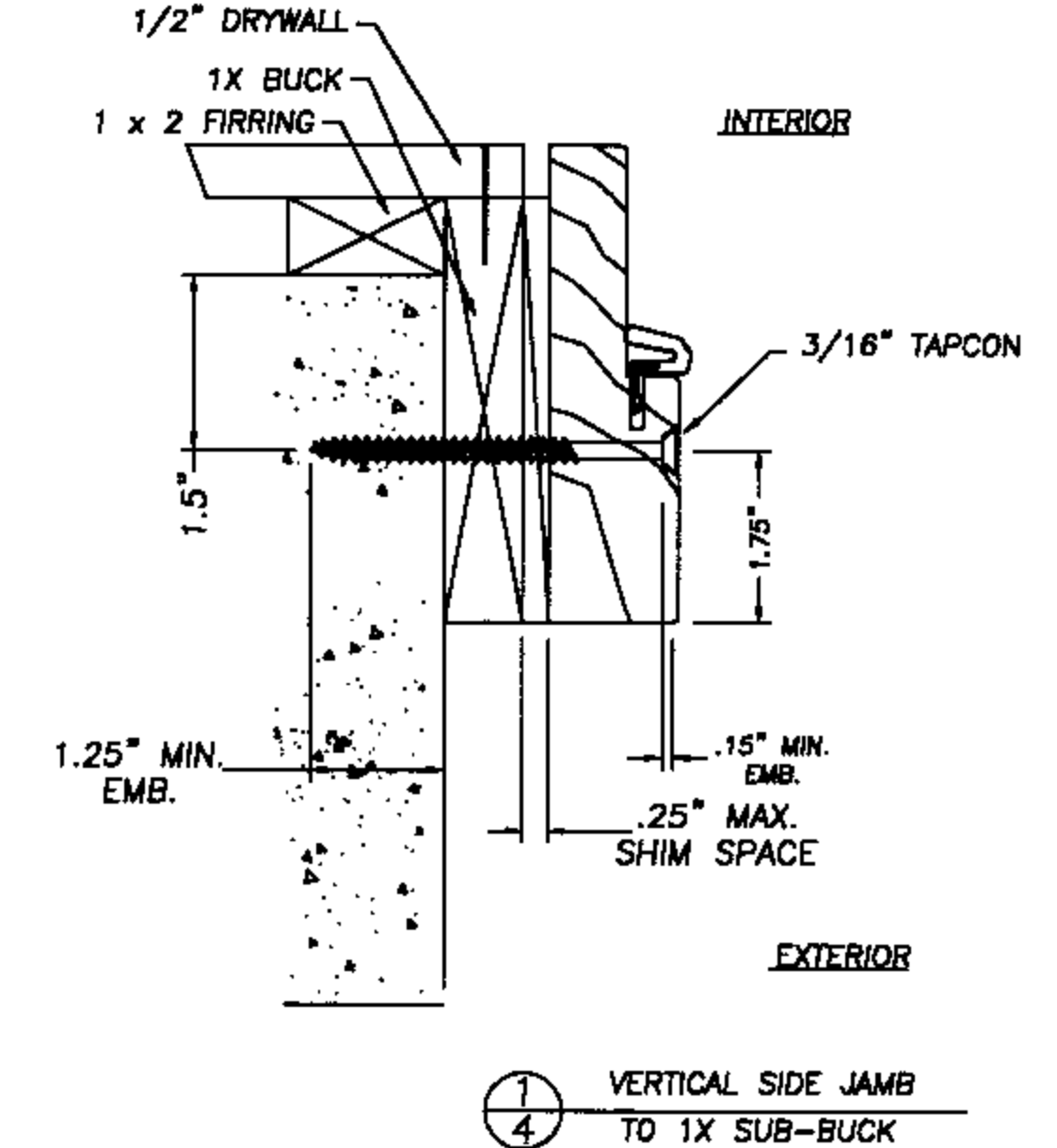
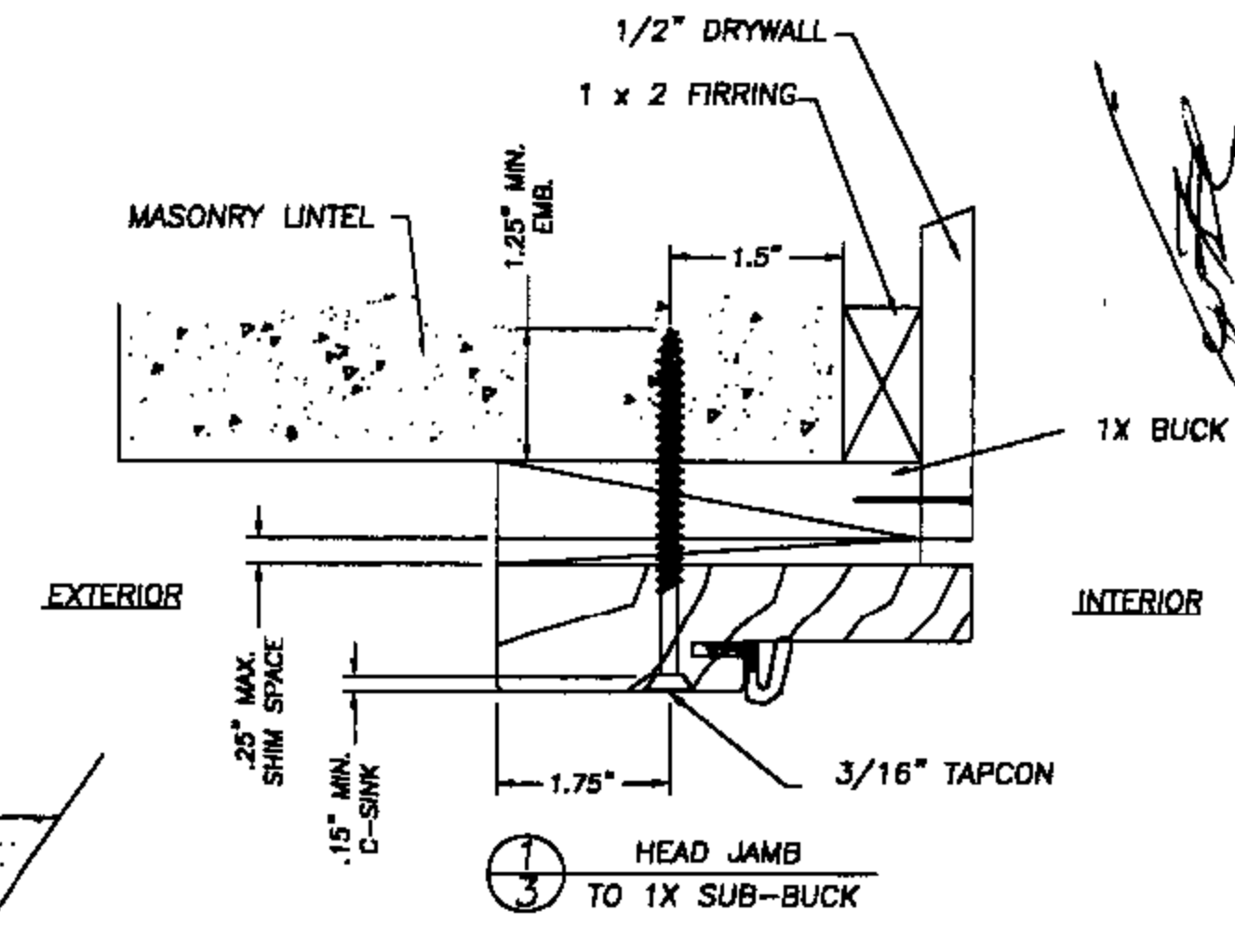
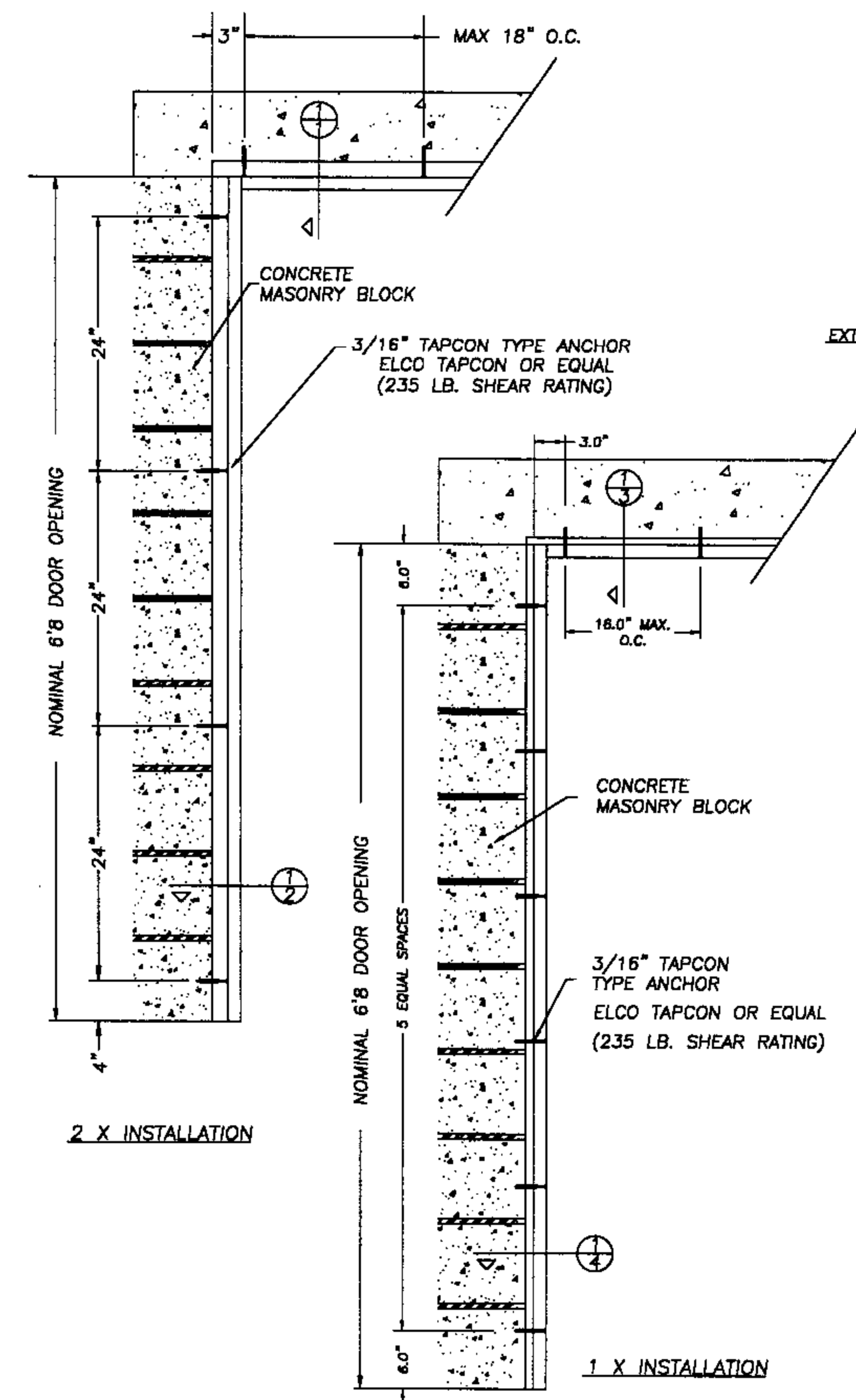
NO.	DATE	BY	REVISIONS

RW BUILDING
CONSULTANTS, INC.
813.659.9197

DATE: 7/30/02
SCALE: N.T.S.
DWG. BY: WLN
CHK. BY: RW
DRAWING NO.: TT-106-OC
SHEET 1 OF 4



NOTE:
A minimum clearance of 2.0" for all anchoring screws to mortar joints must be maintained.



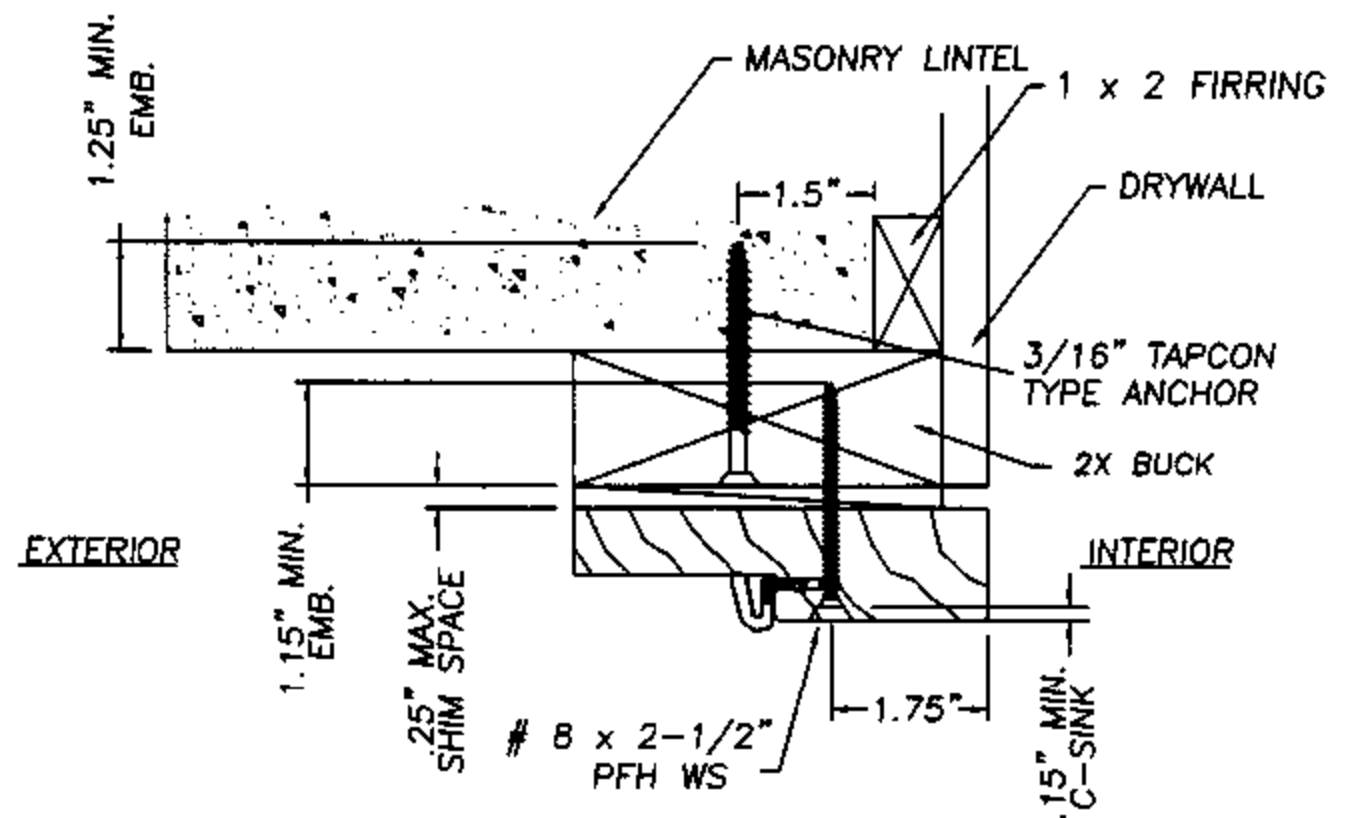
JULY 30, 2002
Lyndon F. Schmidt
Florida P. E. No. 43409
19506 French Lace Drive
Lutz, FL 33558

THERMA-TRU CORPORATION
1687 WOODLANDS DRIVE
MAUMEE, OHIO
PH. (800) 537-8827

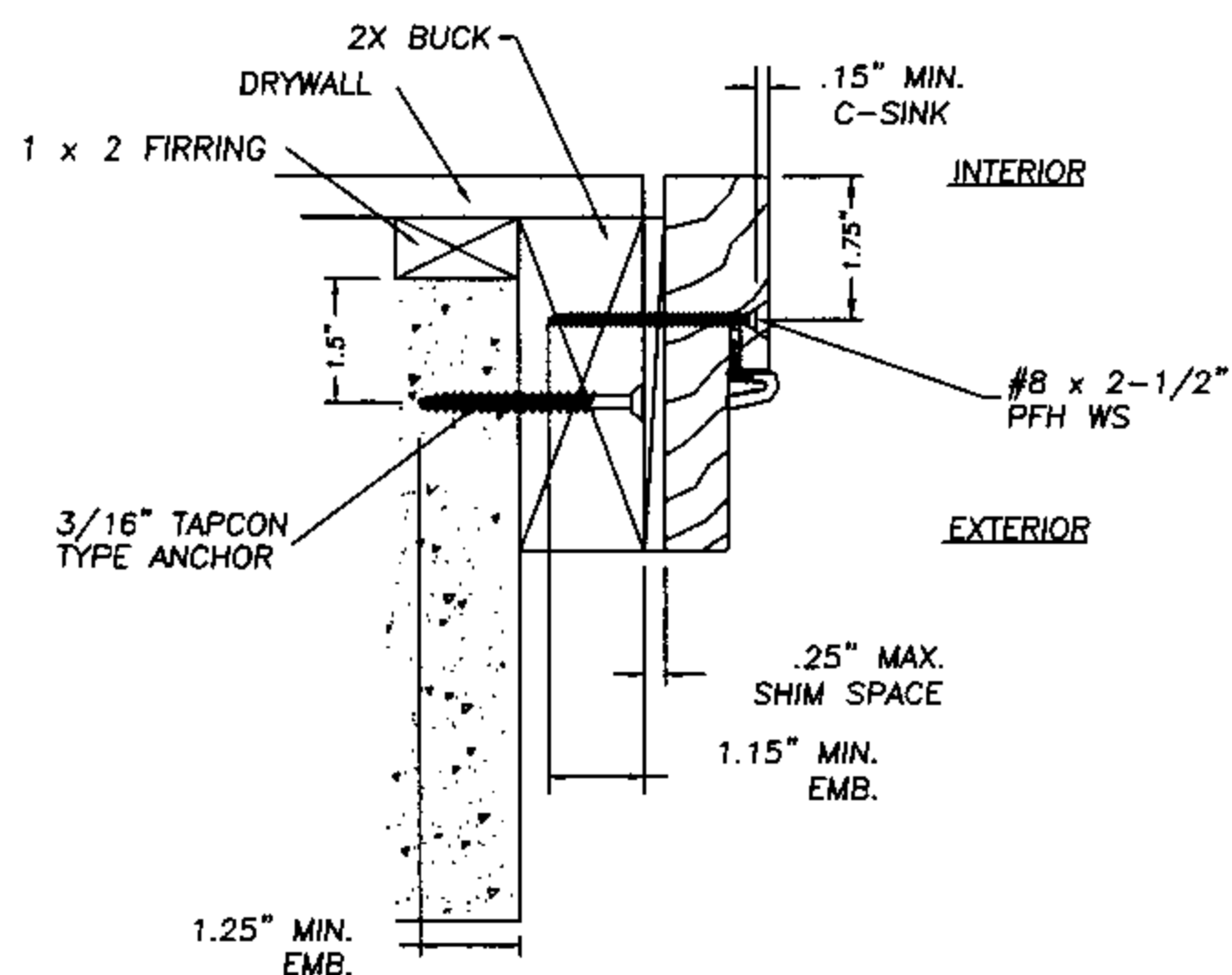
ANCHOR CROSS SECTIONS
MASONRY 6'8"
IN-SWING WOOD FRAME

RW BUILDING CONSULTANTS, INC.
813.659.9197

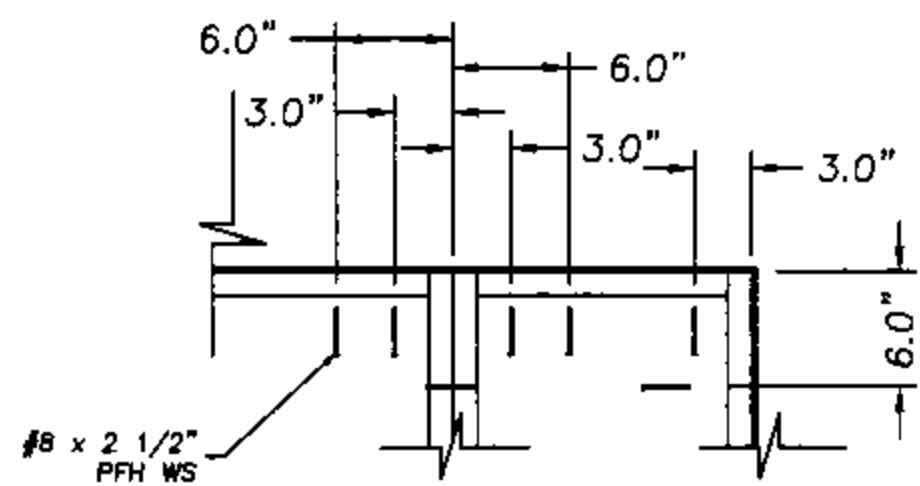
DATE: 7/30/02
SCALE: NTS
DWG. BY: WLN
CHK. BY: RW
DRAWING NO.: TT-106-OC
SHEET 2 OF 4



① HEAD JAMB TO 2X SUB-BUCK



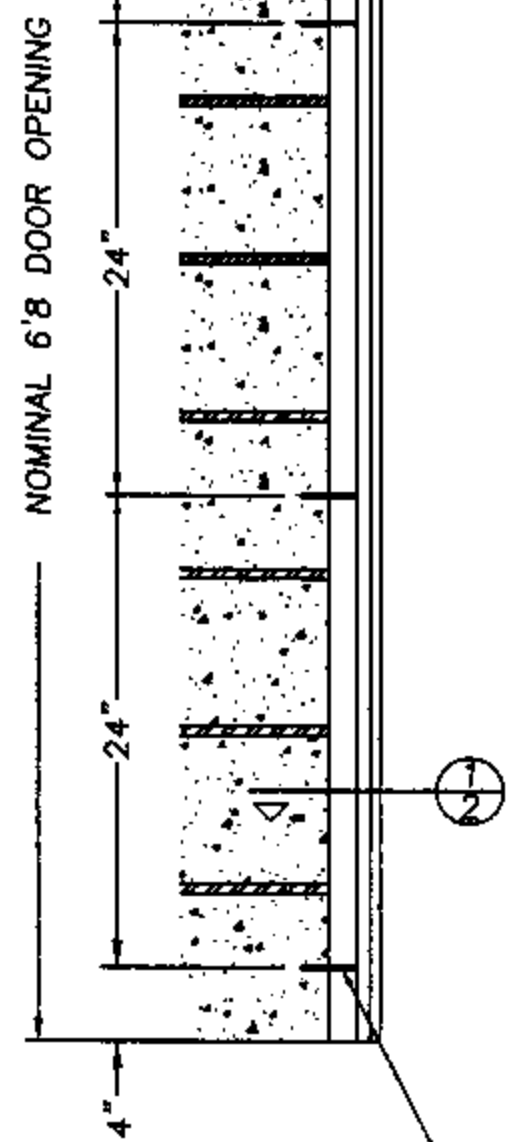
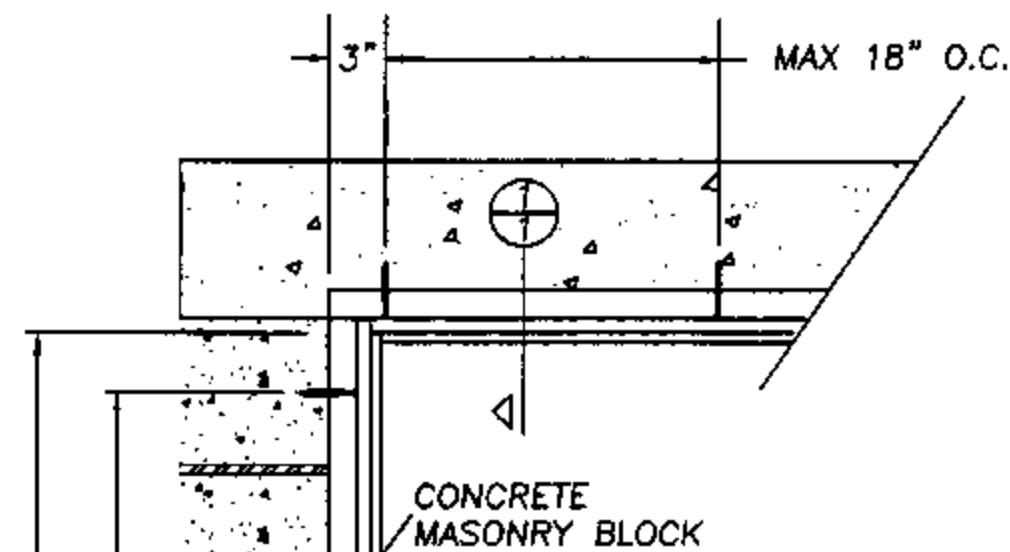
② VERTICAL SIDE JAMB TO 2X SUB-BUCK



ANCHORING OF SIDELITE TO 2X BUCK

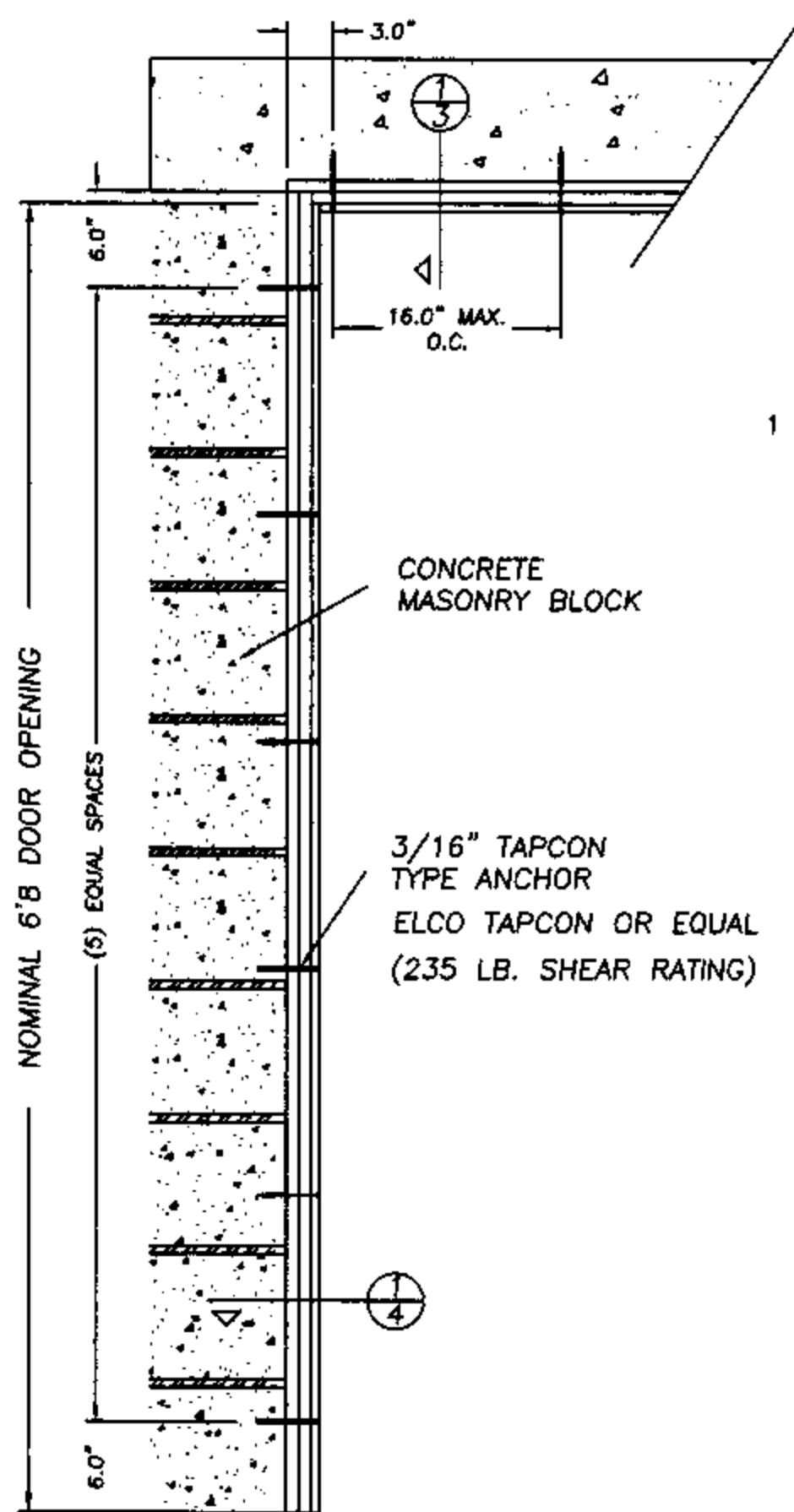
NOTE:

1. When using a 1X sub-buck a 6-9/16" jamb is required to allow for min. edge spacing for Tapcon type anchors.
2. A minimum clearance of 2.0" for all anchoring screws to mortar joints must be maintained.

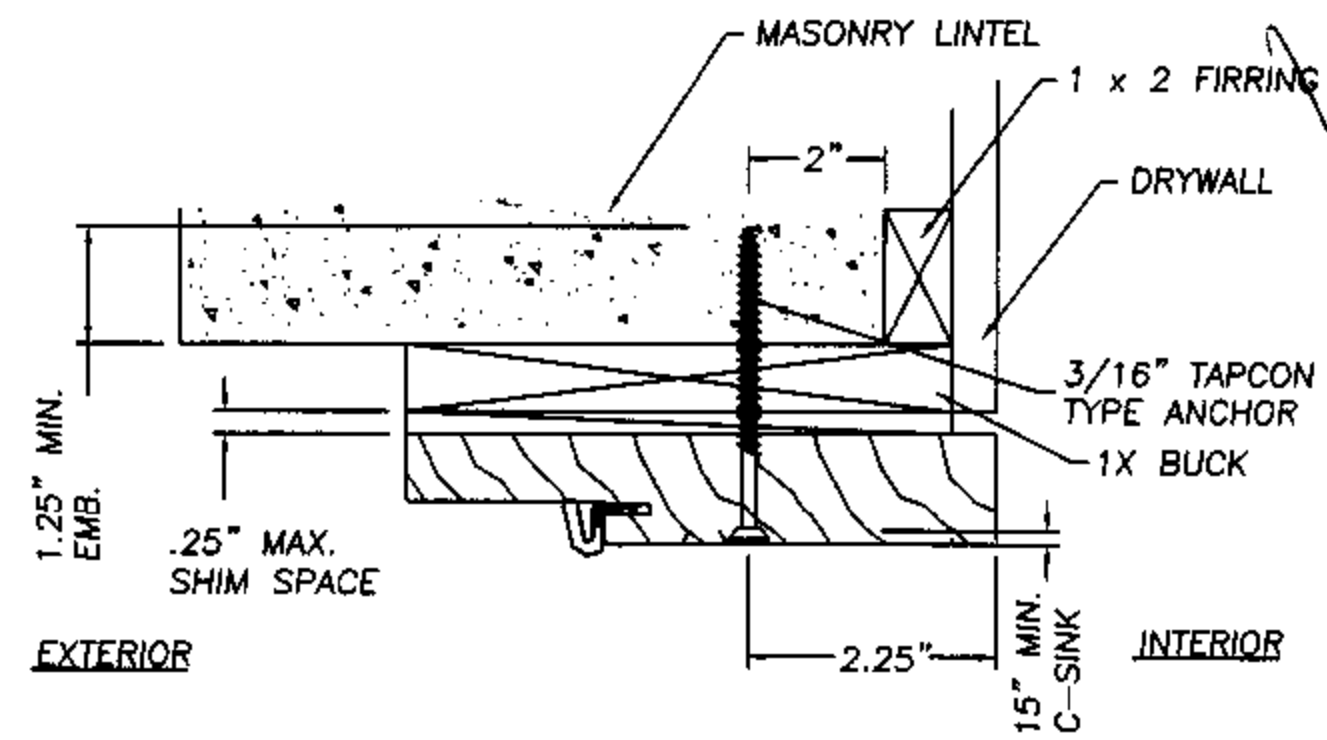


2 X INSTALLATION

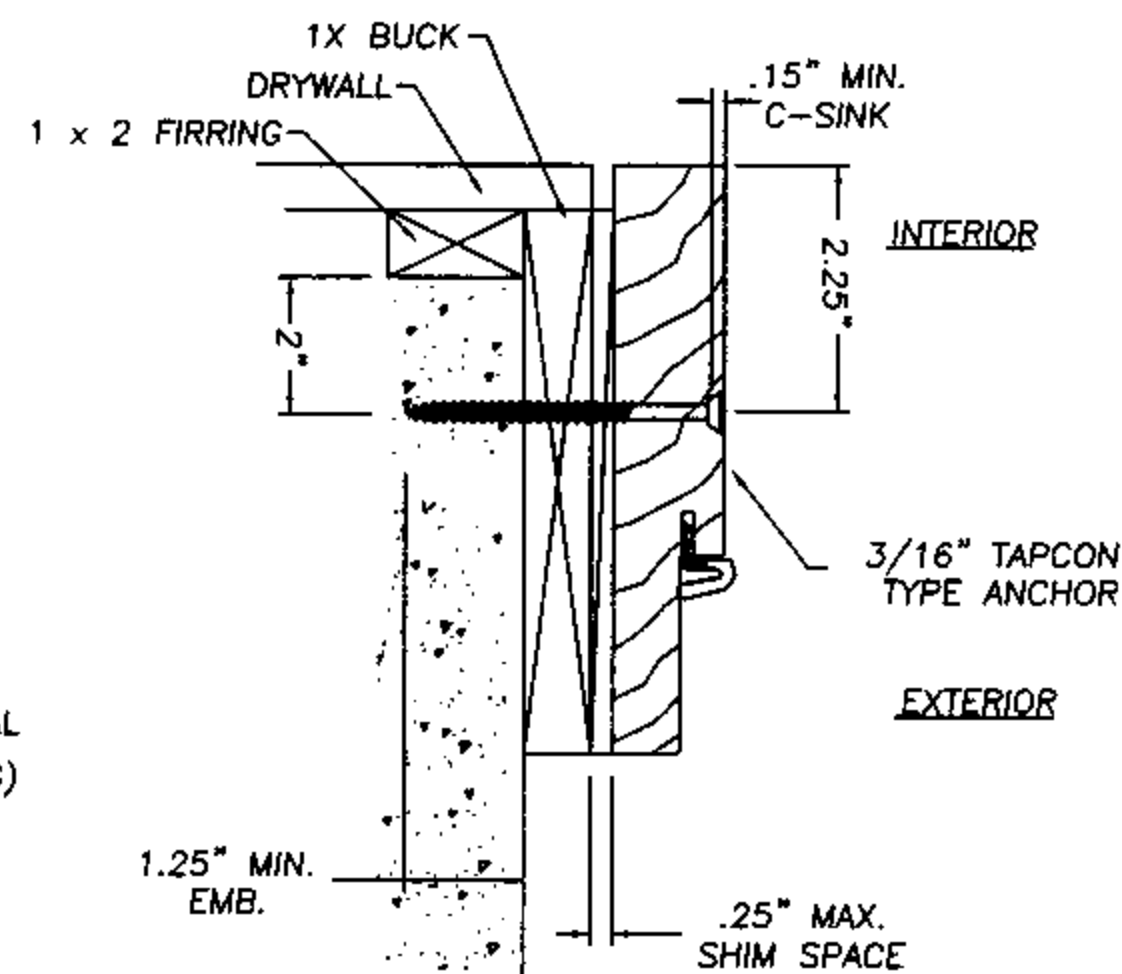
3/16" TAPCON TYPE ANCHOR
ELCO TAPCON OR EQUAL
(235 LB. SHEAR RATING)



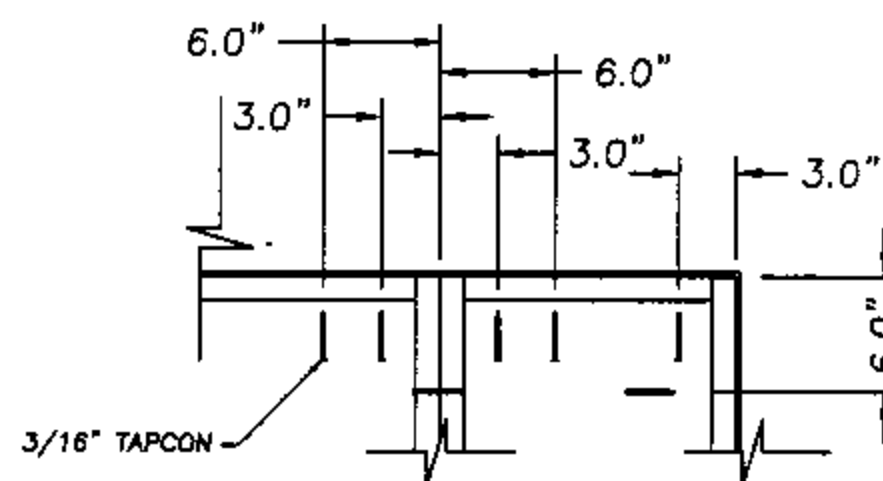
1 X INSTALLATION



③ HEAD JAMB TO 1X SUB-BUCK



④ VERTICAL SIDE JAMB TO 1X SUB-BUCK



ANCHORING OF SIDELITE THROUGH 1X BUCK

JULY 30, 2002

Lyndon F. Schmidt
Florida P. E. No. 43409
19506 French Lace Drive
Lutz, FL 33558

THERMA-TRU CORPORATION
1687 WOODLANDS DRIVE
MAUMEE, OHIO
PH. (800) 537-8827

ANCHOR CROSS SECTIONS
MASONRY 6'8"
OUT-SWING WOOD FRAME

RW BUILDING
CONSULTANTS, INC.
813.659.9197

DATE: 7/30/02

SCALE: NTS

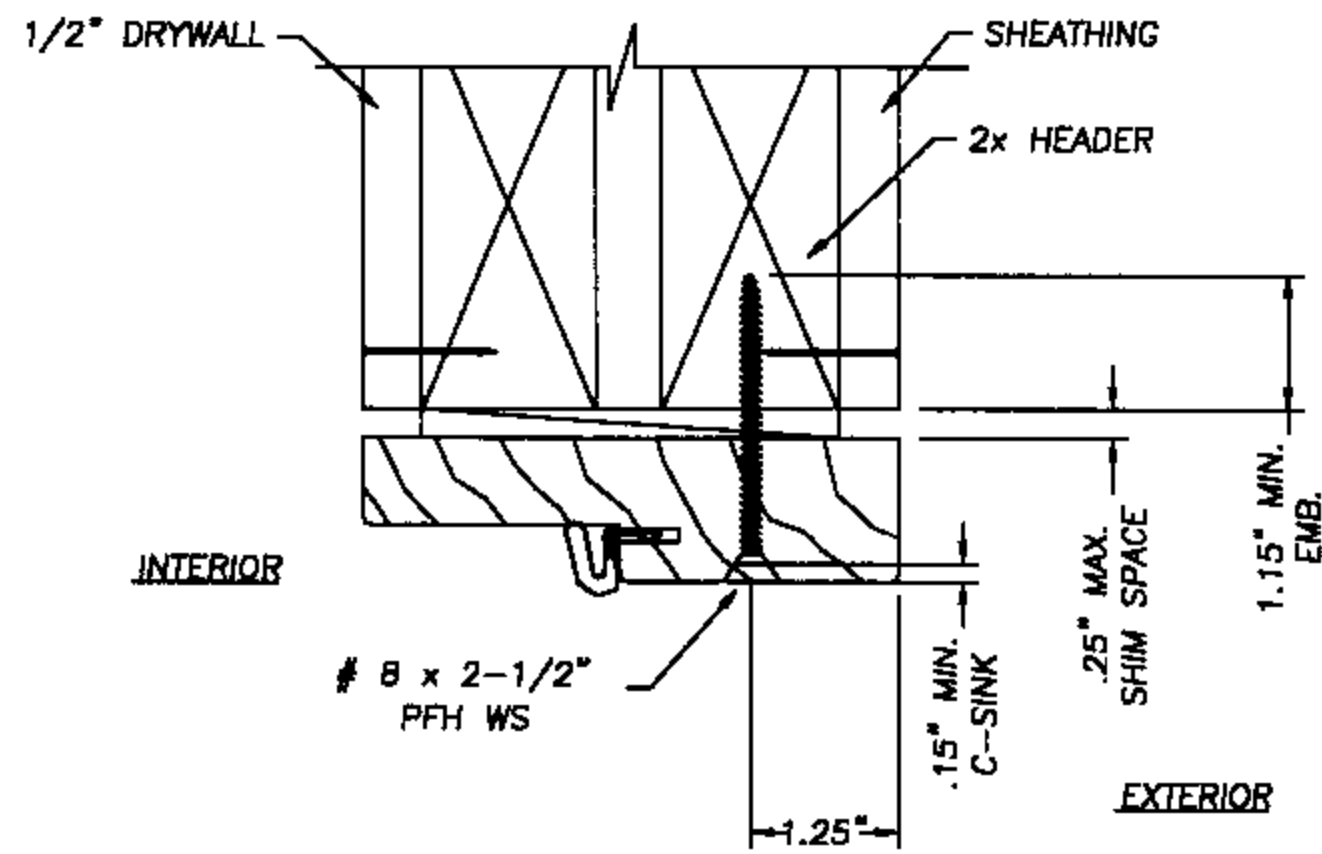
DWG. BY: WLN

CHK. BY: RW

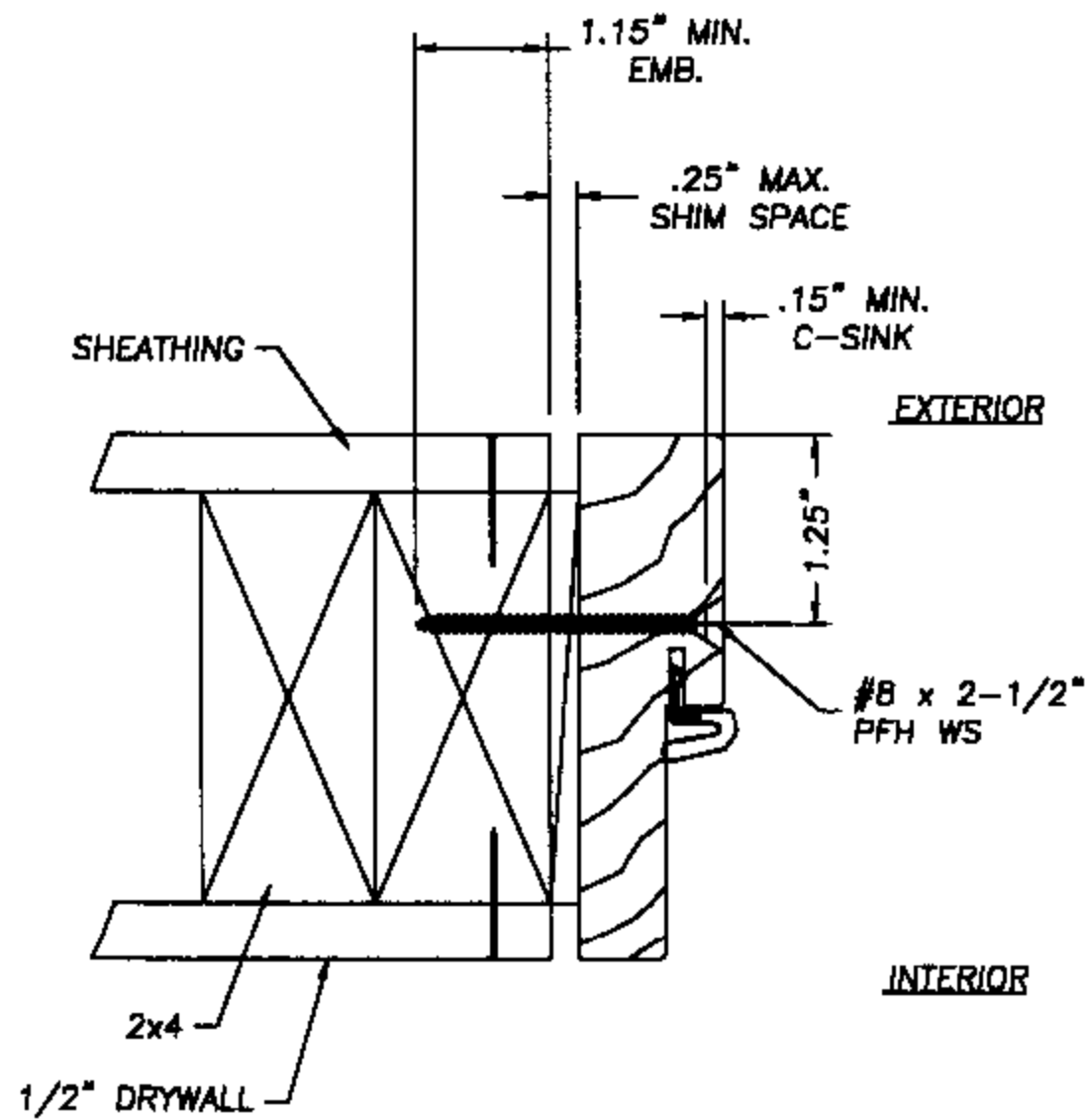
DRAWING NO.:

TT-106-OC

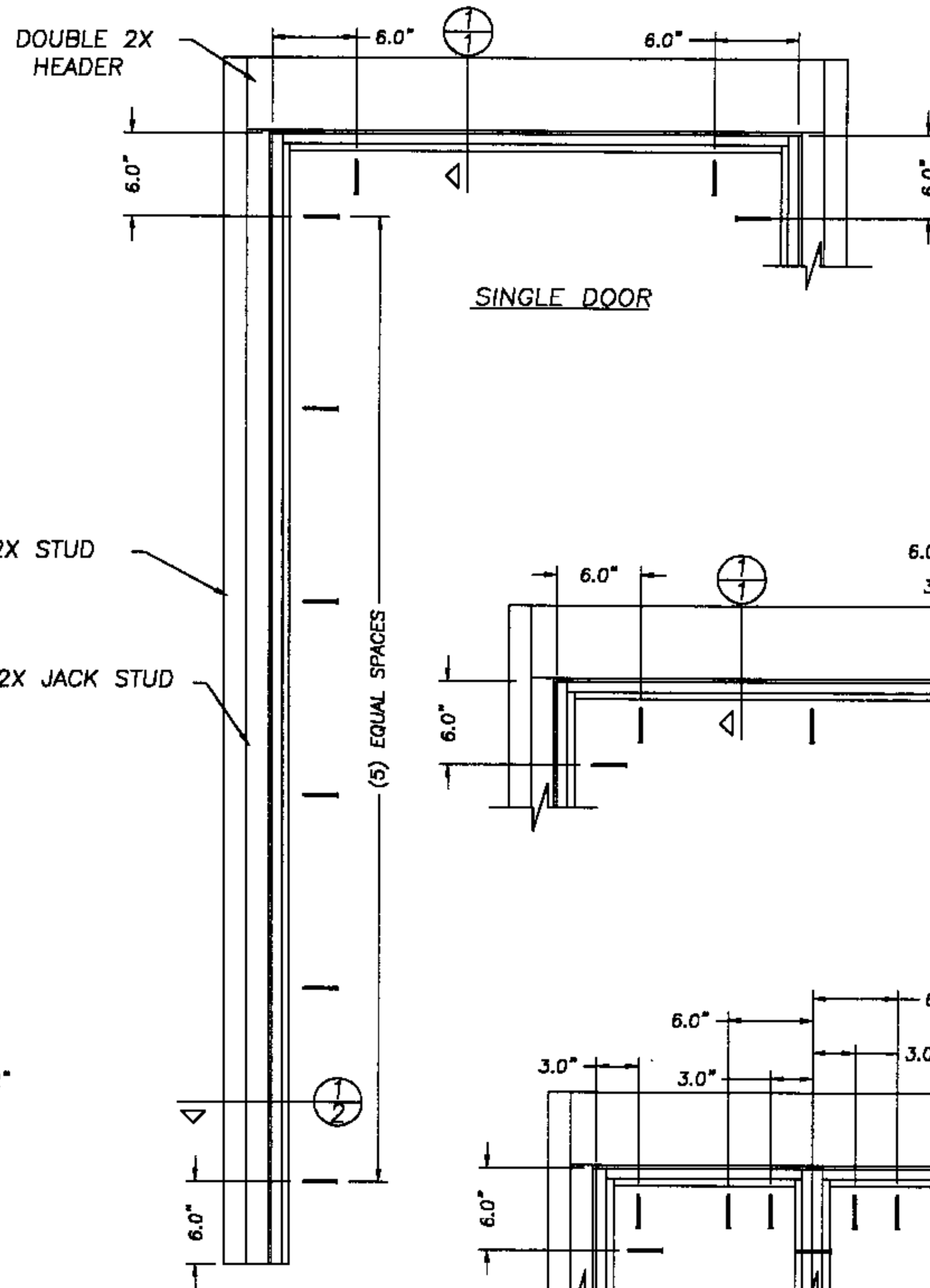
SHEET 3 OF 4



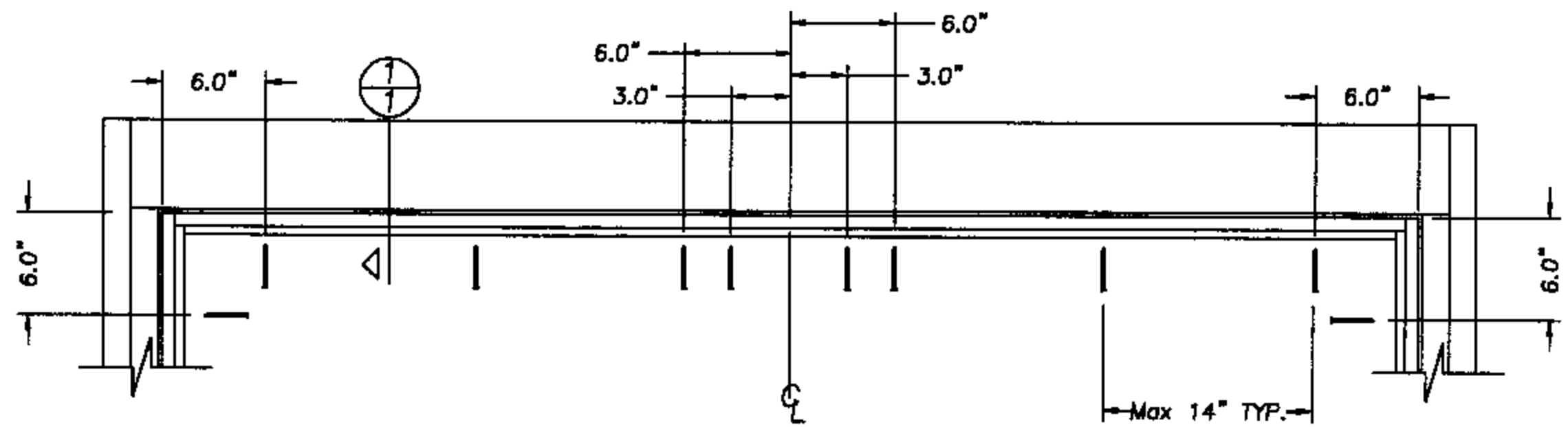
1 HEAD JAMB



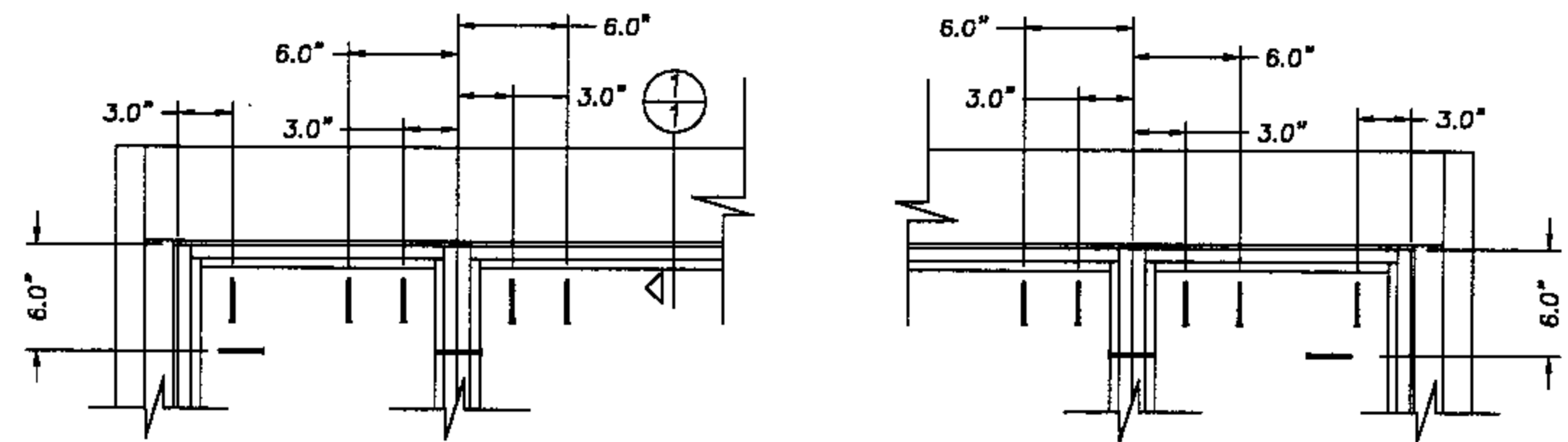
2 VERTICAL SIDE JAMB



SINGLE DOOR



DOUBLE DOOR



SINGLE OR DOUBLE DOOR WITH SIDELITES

JULY 30, 2002
 Lyndon F. Schmidt
 Florida P. E. No. 43409
 19506 French Lace Drive
 Lutz, FL 33558

THERMA-TRU CORPORATION
 1687 WOODLANDS DRIVE
 MAUMEE, OHIO
 PH. (800) 537-8827

ANCHOR CROSS SECTIONS
 WOOD OR STEEL STUD
 IN-SWING / OUT-SWING
 WOOD FRAME

RW BUILDING
 CONSULTANTS, INC.
 813.659.9197

DATE: 7/30/02

SCALE: NTS

DWG. BY: WLN

CHK. BY: RW

DRAWING NO.:
 TT-106-OC

SHEET 4 OF 4