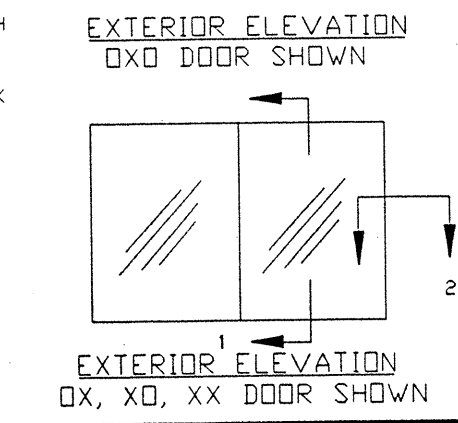
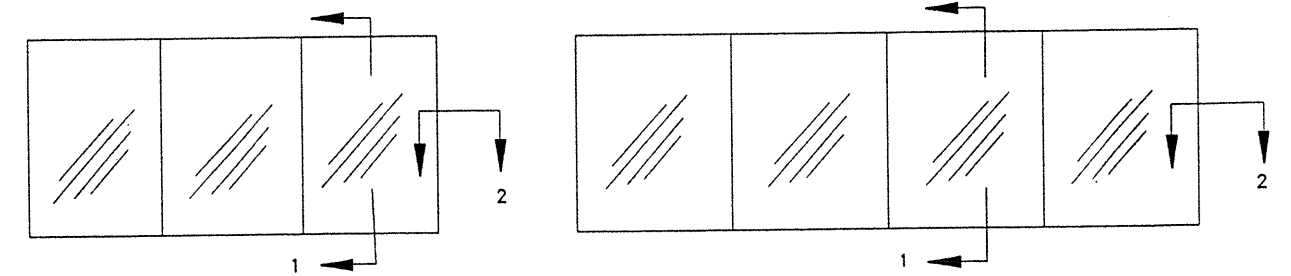
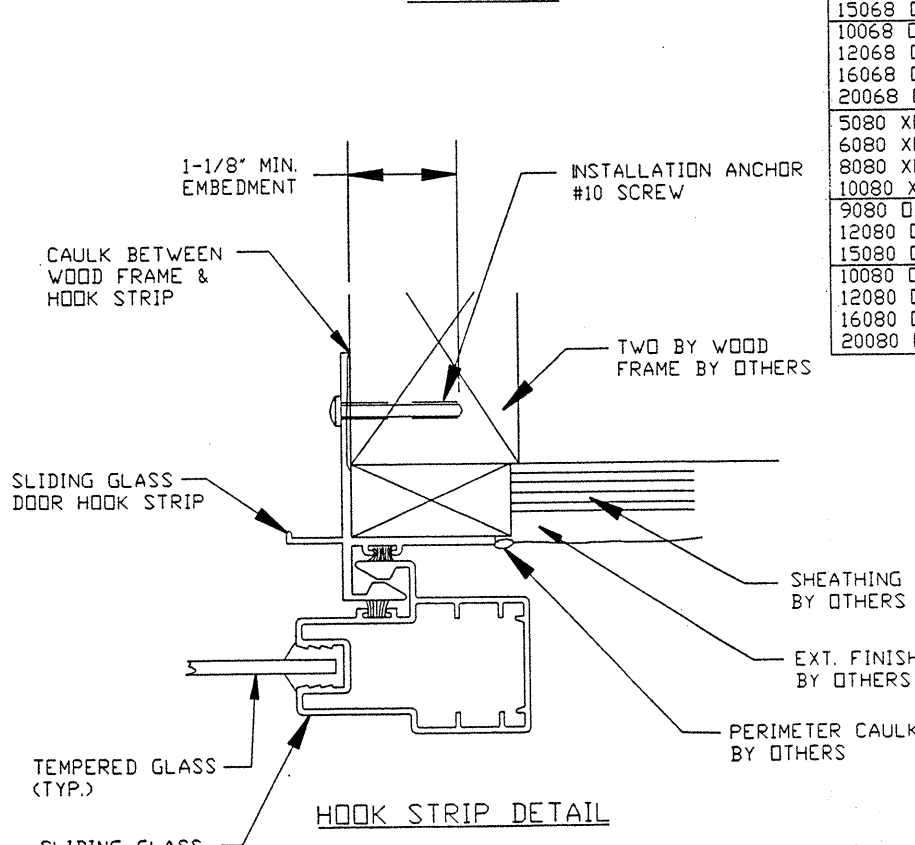
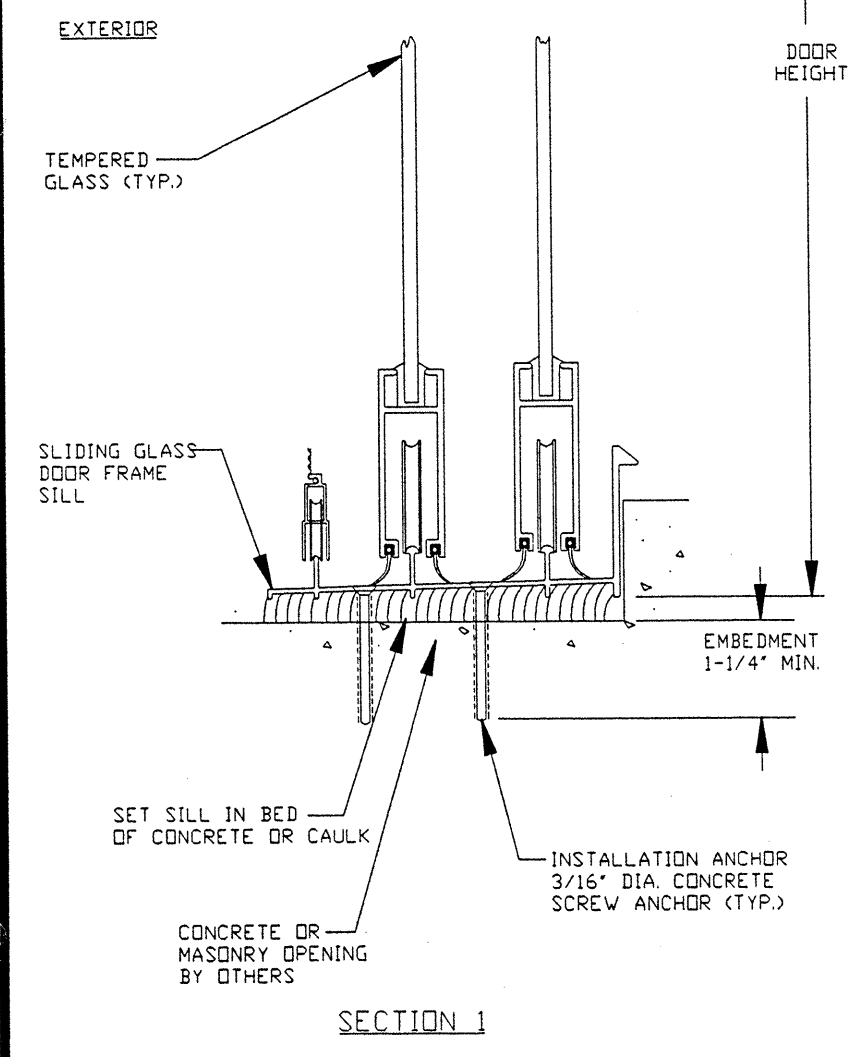


- NOTES:**
- 1) SHIM AS REQ'D. AT EA. SET OF INSTALLATION ANCHORS USING LOAD BEARING SHIMS. MAX ALLOWABLE SHIM STACK TO BE 1/4". USE SHIMS WHERE SPACE GREATER THAN 1/16" IS PRESENT.
 - 2) DOOR MATERIAL: ALUMINUM ALLOY 6063
 - 3) #10 SCREW INSTALLATION ANCHORS MUST BE OF SUFFICIENT LENGTH TO ACHIEVE MIN. EMBEDMENT OF 1-1/8" INTO TWO BY WOOD BUCK. CONCRETE SCREW ANCHORS AT SILL MUST BE OF SUFFICIENT LENGTH TO ACHIEVE MIN. EMBEDMENT OF 1-1/4" INTO MASONRY OR CONCRETE.
 - 4) MAX ALLOWABLE SPACING BETWEEN #10 SCREW ANCHORS AND CONCRETE SCREW ANCHORS TO BE 24" OC MAX.
 - 5) USE LATEX CAULK OR EQUIVALENT FOR PERIMETER SEAL AROUND EXTERIOR OF DOOR BY OTHERS.
 - 6) IF EXACT DOOR SIZE IS NOT LISTED IN ANCHOR CHART, USE ANCHOR QUANTITY LISTED WITH NEXT LARGER SIZE, FOR THE APPROPRIATE DESIGN PRESSURE REQ'D.
 - 7) FOR POCKET DOOR SIZES USE CLOSEST BY PASS DOOR SIZE & CONFIGURATION TO FINISH OPENING. PLACE CONCRETE SCREW ANCHORS IN FRONT OF HOOK STRIP AS SHOWN.
 - 8) GLASS THICKNESS MAY VARY PER REQUIREMENTS OF ASTM E1300 GLASS CHARTS. SINGLE GLAZING IS SHOWN INSULATING GLASS IS ALSO QUALIFIED.
 - 9) JAMB, SILL CORNERS AND ALL ANCHORS THROUGH SILL ARE TO BE SEALED WITH A SMALL JOINT SEAM SEALER.
 - 10) ALL INSTALLATION ANCHORS MUST BE MADE OF CORROSION RESISTANT MATERIALS.
 - 11) NOT ALL CONFIGURATIONS LISTED ABOVE ARE SHOWN ON THIS DRAWING. HOWEVER INSTALLATION SECTION '1', SECTION '2', & HOOK STRIP DETAIL APPLY TO INSTALLATION OF ALL CONFIGURATIONS.
 - 12) KINCO SERIES MARK 2 SLIDING GLASS DOOR IS SHOWN. THIS PRINT ALSO APPLIES TO MARK 3, MARK 4 & MARK 5.

CALL SIZE	OVERALL SIZE	#10 SCREWS IN FRAME HEAD			3/16" DIA. CONCRETE SCREW IN FRAME SILL			#10 SCREWS @ EA. JAMB & HOOK STRIP		
		UP TO 45 PSF	46 PSF TO 60 PSF	61 PSF TO 70 PSF	UP TO 45 PSF	46 PSF TO 60 PSF	61 PSF TO 70 PSF	UP TO 45 PSF	46 PSF TO 60 PSF	61 PSF TO 70 PSF
5068 XD, OX, XX	60-11/16 x 80	3	3	3	3	3	3	3	6	6
6068 XD, OX, XX	72-11/16 x 80	4	4	4	4	4	4	3	6	6
8068 XD, OX, XX	96-11/16 x 80	5	5	6	5	5	5	3	6	6
10068 XD, OX, XX	120-11/16 x 80	6	7	8	6	6	7	3	6	6
9068 OXD	109-5/8 x 80	6	6	7	6	6	6	3	6	6
12068 OXD	145-5/8 x 80	7	9	10	7	7	9	3	6	6
15068 OXD	181-5/8 x 80	9	12	14	9	10	11	3	6	6
10068 OXXO, XXXX	120-11/16 x 80	6	7	8	6	6	7	3	6	6
12068 OXXO, XXXX	144-11/16 x 80	7	9	10	7	7	8	3	6	6
16068 OXXO, XXXX	192-11/16 x 80	10	13	15	9	10	12	3	6	6
20068 OXXO, XXXX	240-11/16 x 80	13	17	19	11	14	15	3	6	6
5080 XD, OX, XX	60-11/16 x 96	3	3	3	3	3	3	6	6	6
6080 XD, OX, XX	72-11/16 x 96	4	4	4	4	4	4	6	6	6
8080 XD, OX, XX	96-11/16 x 96	5	5	6	5	5	5	6	6	6
10080 XD, OX, XX	120-11/16 x 96	6	7	9	6	6	7	6	6	6
9080 OXD	109-5/8 x 96	6	6	7	6	6	6	6	6	6
12080 OXD	145-5/8 x 96	8	10	11	7	8	9	6	6	6
15080 OXD	181-5/8 x 96	10	13	15	9	11	13	6	6	6
10080 OXXO, XXXX	120-11/16 x 96	6	7	9	6	6	7	6	6	6
12080 OXXO, XXXX	144-11/16 x 96	7	10	11	7	8	9	6	6	6
16080 OXXO, XXXX	192-11/16 x 96	11	14	17	9	12	14	6	6	6
20080 OXXO, XXXX	240-11/16 x 96	14	19	22	12	16	18	6	6	6



KINCO, LTD.
JACKSONVILLE, FLORIDA

TITLE: SLIDING GLASS DOOR W/TWO BY WOOD BUCK OR FRAME OPENING OX / XX / OXD / OXXO & XXXX INSTALLATION DETAIL

ENGINEER: MANUEL MARTINEZ DRN: BB DATE: 12/4/01

DISCIPLINE: CIVIL SCALE: N.T.S. DWG. NO: KJAX0078

FL. REG. NO: 47182 REV. LETTER: SHEET: 1 OF 1