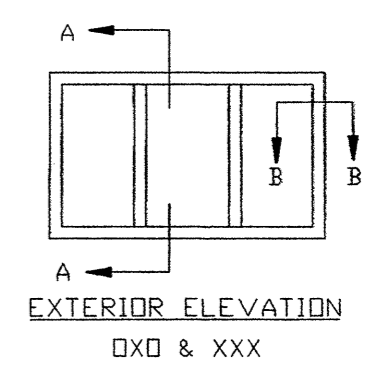
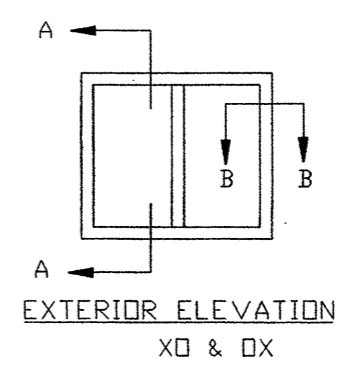
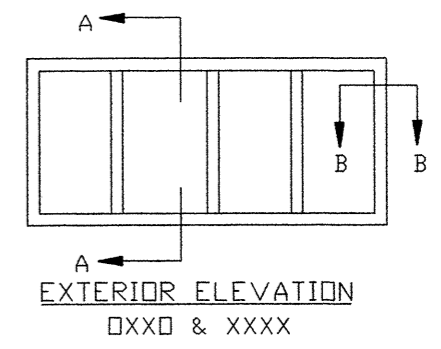
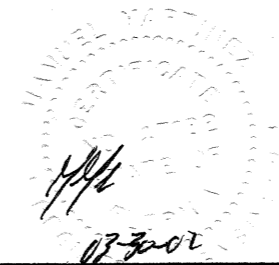


INSTALLATION ANCHOR CHART				
CALL SIZE	OVERALL SIZE	3/16" DIA. CONCRETE SCREW ANCHORS IN SILL	#8 SCREWS IN FRAME HEAD	#8 SCREWS IN FRAME JAMB & HOOK STRIP
5068 XX, OX, XD	60-1/8 X 80	3	3	4
6068 XX, OX, XD	72-1/8 X 80	4	4	4
8068 XX, OX, XD	96-1/8 X 80	5	5	4
9068 XXX	106-7/16 X 80	5	5	4
12068 XXX	142-7/16 X 80	7	7	4
9068 OXD	109-3/16 X 80	5	5	4
12068 OXD	145-3/16 X 80	7	7	4
10068 XXXX	116-3/4 X 80	6	6	4
12068 XXXX	140-3/4 X 80	7	7	4
16068 XXXX	188-3/4 X 80	9	9	4
10068 OXXD	119-1/2 X 80	6	6	4
12068 OXXD	143-1/2 X 80	7	7	4
16068 OXXD	191-1/2 X 80	9	9	4
5080 XX, OX, XD	60-1/8 X 96	3	3	5
6080 XX, OX, XD	72-1/8 X 96	4	4	5
8080 XX, OX, XD	96-1/8 X 96	5	5	5
9080 XXX	106-7/16 X 96	5	5	5
12080 XXX	142-7/16 X 96	7	7	5
9080 OXD	109-3/16 X 96	5	5	5
12080 OXD	145-3/16 X 96	7	7	5
10080 XXXX	116-3/4 X 96	6	6	5
12080 XXXX	140-3/4 X 96	7	7	5
16080 XXXX	188-3/4 X 96	9	9	5
10080 OXXD	119-1/2 X 96	6	6	5
12080 OXXD	143-1/2 X 96	7	7	5
16080 OXXD	191-1/2 X 96	9	9	5



- NOTES:
- 1) SHIM AS REQ'D. AT EACH SET OF INSTALLATION ANCHORS USING LOAD BEARING SHIMS. MAX. ALLOWABLE SHIM STACK TO BE 1/4". USE SHIMS WHERE SPACE GREATER THAN 1/16" IS PRESENT.
  - 2) DOOR MATERIAL: ALUMINUM ALLOY 6063.
  - 3) #8 SCREW INSTALLATION ANCHORS MUST BE OF SUFFICIENT LENGTH TO ACHIEVE MIN. EMBEDMENT OF 1-1/8" INTO TWO BY WOOD BUCK. 3/16" DIA. CONCRETE SCREW ANCHORS @ SILL MUST BE OF SUFFICIENT LENGTH TO ACHIEVE MIN. EMBEDMENT OF 1-1/4" INTO MASONRY OR CONCRETE.
  - 4) MAX. ALLOWABLE SPACING BETWEEN #8 SCREW ANCHORS & 3/16" DIA. CONCRETE SCREW ANCHORS IN SILL TO BE 6" FROM CORNERS & 24" O.C. MAX.
  - 5) ALL FACTORY APPLIED HOLES IN SILL NOT DESIGNATED FOR CONCRETE SCREW ANCHORS SHOULD BE FILLED WITH #8 SCREWS OR EQUIVALENT.
  - 6) USE LATEX CAULK OR EQUIVALENT FOR PERIMETER SEAL AROUND EXTERIOR OF DOOR.
  - 7) IF EXACT DOOR SIZE IS NOT LISTED IN ANCHOR CHART, USE ANCHOR QUANTITY LISTED WITH NEXT LARGER SIZE.
  - 8) FOR POCKET DOOR SIZES USE CLOSEST BY PASS DOOR SIZE & CONFIGURATION TO FINISH OPENING.
  - 9) GLASS THICKNESS MAY VARY PER REQUIREMENTS OF ASTM E1300 GLASS CHARTS. INSULATING GLASS IS SHOWN, SINGLE GLAZING ALSO QUALIFIED.
  - 10) JAMB, SILL CORNERS AND ALL ANCHORS THROUGH SILL ARE TO BE SEALED WITH A SMALL JOINT SEAM SEALER.
  - 11) ALL INSTALLATION ANCHORS MUST BE MADE OF CORROSION RESISTANT MATERIALS.
  - 12) NOT ALL CONFIGURATIONS LISTED ON INSTALLATION ANCHOR CHART ARE SHOWN ON THIS DRAWING, HOWEVER, INSTALLATION SECTION A-A, SECTION B-B, & HOOK STRIP DETAIL APPLY TO INSTALLATION OF ALL CONFIGURATIONS.

DESIGN PRESSURE CAPACITY ±30.0 PSF



CUSTOM WINDOW SYSTEMS, INC.  
OCALA, FLORIDA

TITLE: SERIES 9000 ALUMINUM SLIDING GLASS DOOR  
INSTALLATION DETAILS TWO BY BUCK

ENGINEER: MANUEL MARTINEZ	DRN: BB	DATE: 2/06/02
DISCIPLINE: CIVIL	SCALE: N.T.S.	DWG. NO: CWS0108
FL. REG. NO: 47182	REV. LETTER:	SHEET: 1 OF 1